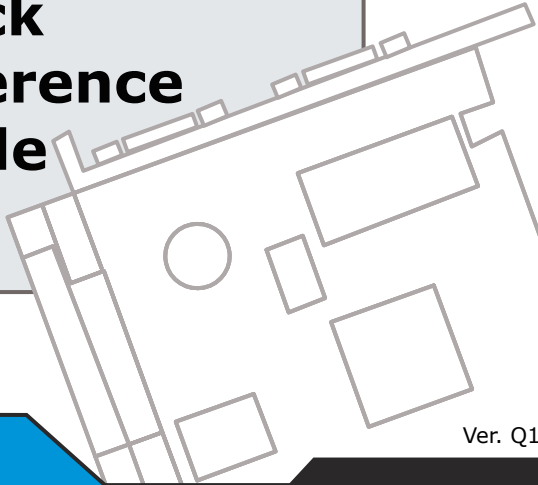


BM-D025

Quick Reference Guide



Ver. Q1

All Rights Reserved. Copyright 2021

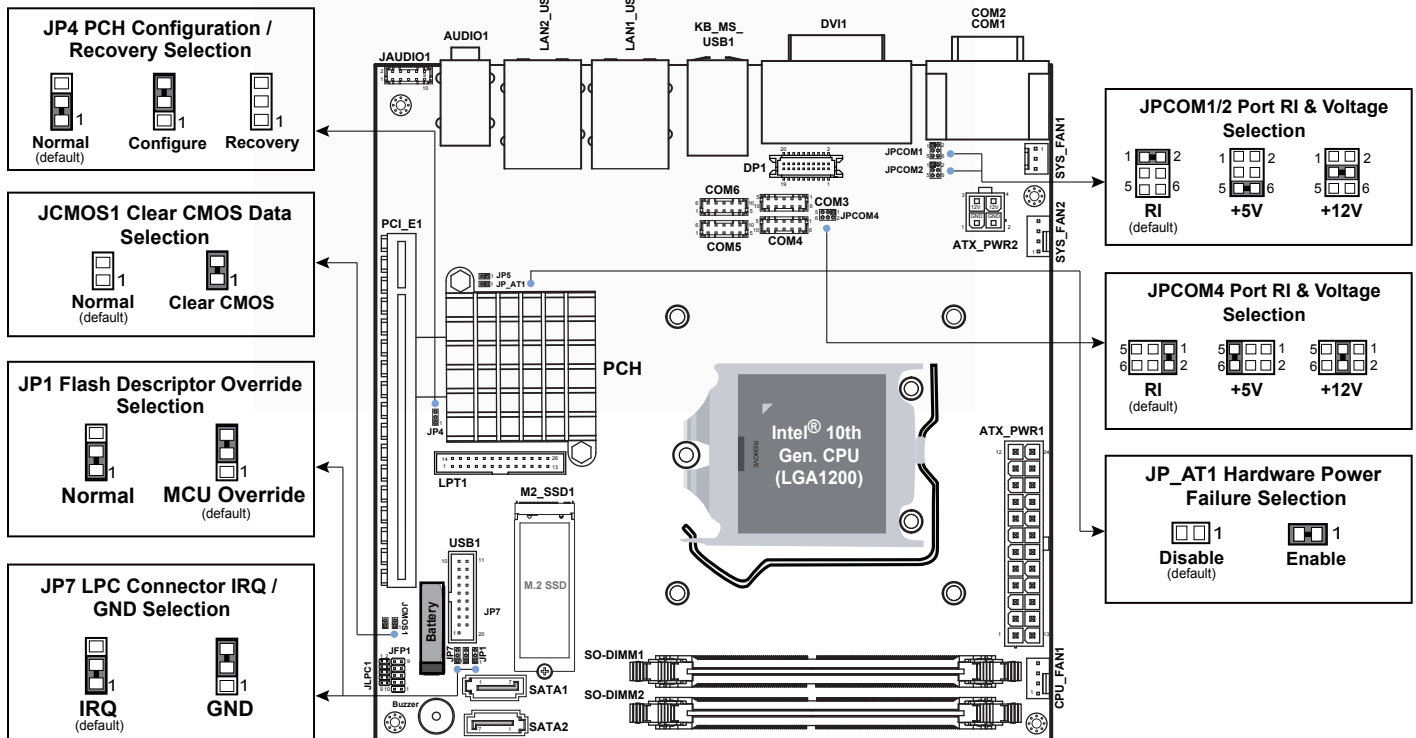
Packing Checklist

If you discover any item below are damaged or lost, please contact your vendor immediately.

- BM-D025 x 1
- This Quick Reference Guide x 1
- Manual/Driver DVD x 1
- Mini Jumper 2.0 mm x 6
- SATA Lock Cable (420 mm) x 1
- PS/2 KB and MS Cable (250 mm) x 1
- I/O Shield x 1

Jumper Setting

CAUTION! Danger of explosion may occur if the battery is replaced incorrectly. Replace batteries only with the same or equivalent type recommended by the manufacturer. Dispose the used batteries according to the manufacturer's instructions.



JP4 PCH Configuration / Recovery Selection

Normal (default) Configure Recovery

JCMOS1 Clear CMOS Data Selection

Normal (default) Clear CMOS

JP1 Flash Descriptor Override Selection

Normal MCU Override (default)

JP7 LPC Connector IRQ / GND Selection

IRQ (default) GND

JPCOM1/2 Port RI & Voltage Selection

RI (default) +5V +12V

JPCOM4 Port RI & Voltage Selection

RI (default) +5V +12V

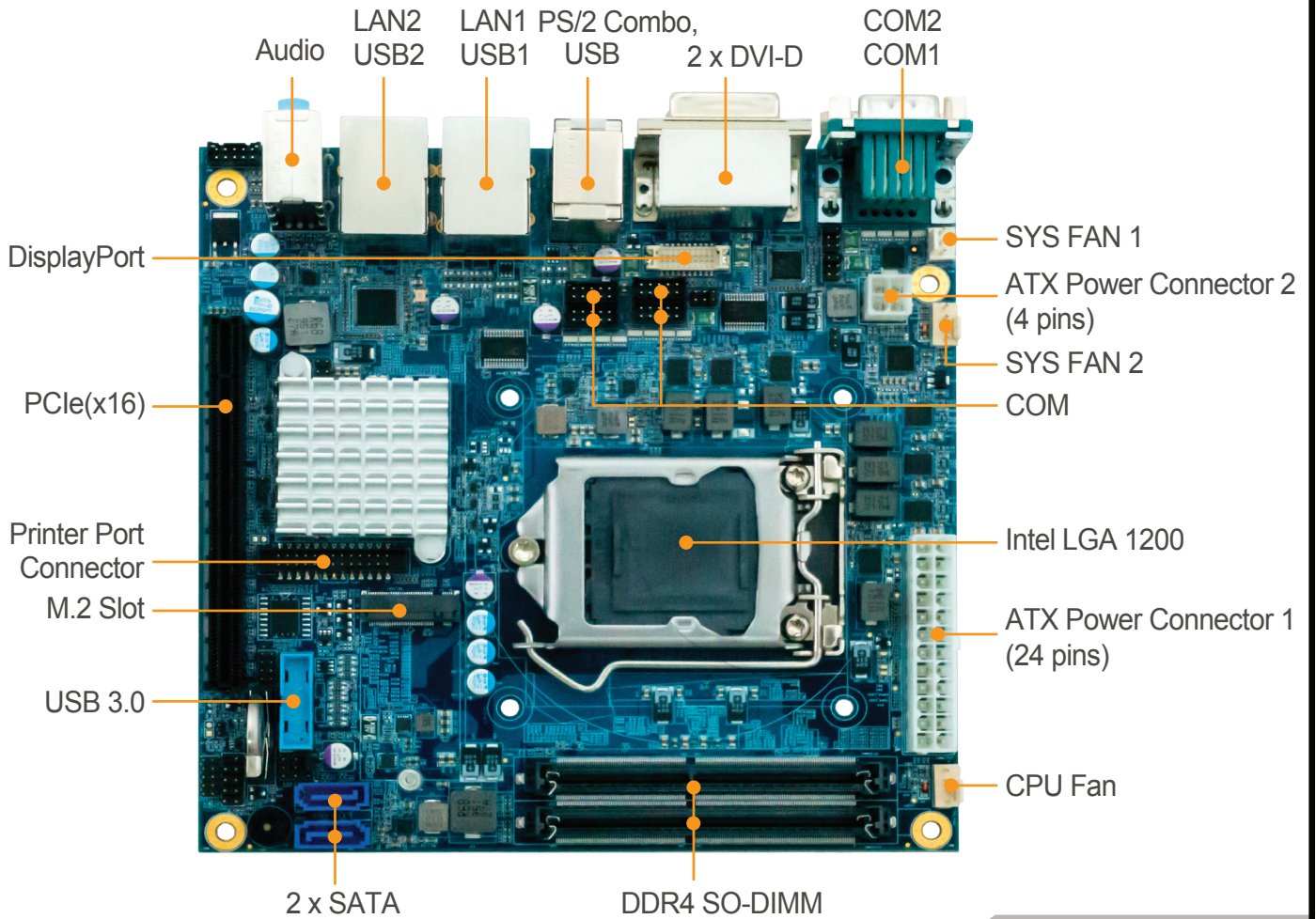
JP_AT1 Hardware Power Failure Selection

Disable (default) Enable

BM-D025

Mini-ITX Intel® 10th Gen. Core™ i9/i7/i5/i3/ Pentium® / Celeron® / Xeon® W-1200 CPU Processor

Front View



I/O View

