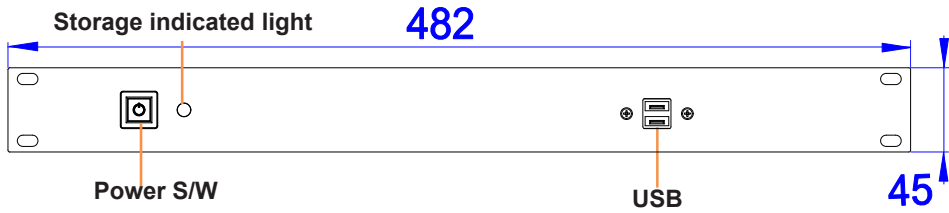


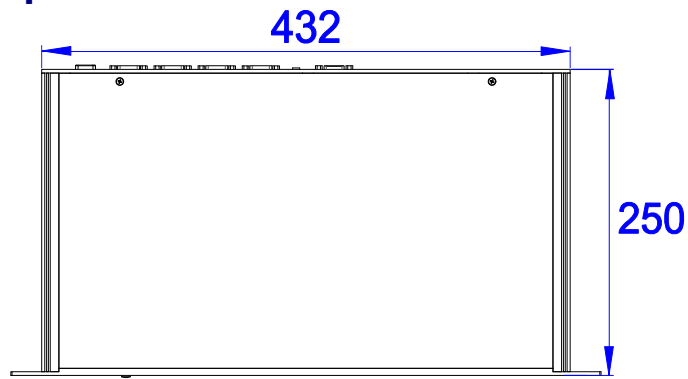
Quick Reference Guide

System View

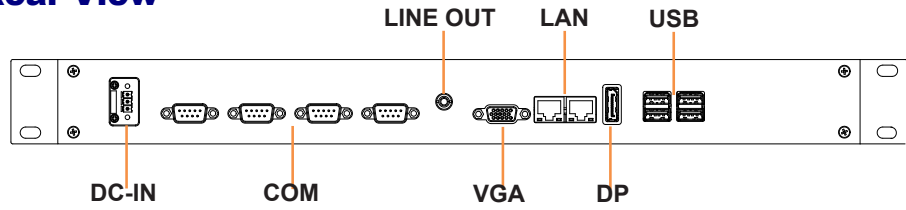
Front View



Top View



Rear View



Specifications

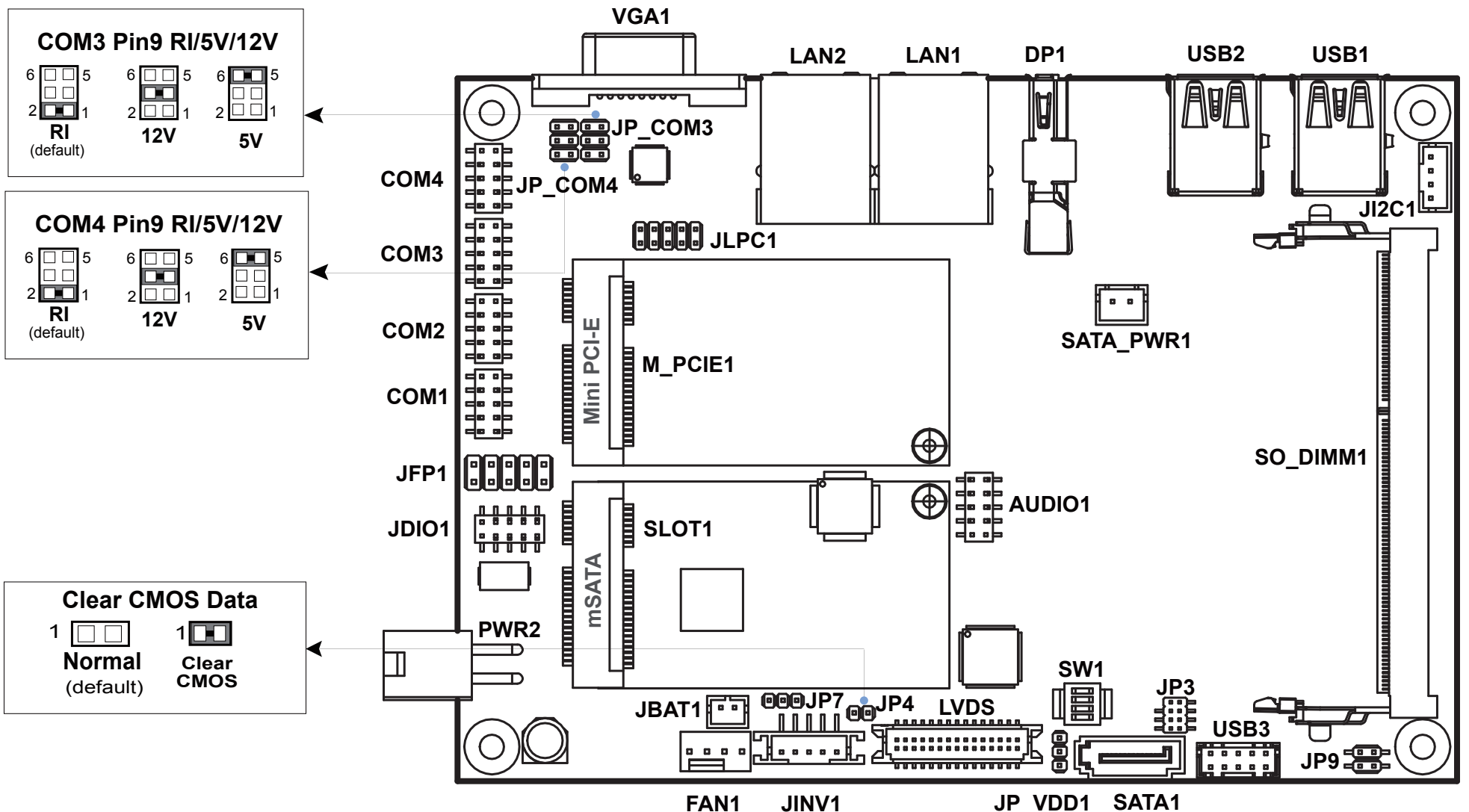
CPU	Intel Apololake Celeron N3350 2.4GHz
BIOS	AMI BIOS
Primary Display	VGA port with 1080P @60Hz
2nd Display	DP port with 4K @60Hz
Memory	SO-DIMM with DDR3L up to 8GB
Storage	SATA port 2.5" storage
Power S/W	Power Button
Power IN	DC-IN port for Power-Adaptor 12V
LED Indicator	Orange LED for storage indication
Ethernet	2 ports with RJ-45 GIGA lan
COM /RS232	4 ports with D-sub9
USB	6 ports with Type-A Female
Sound	Line-out with 3.5" phone jack female
Environment	Operating temperature 0° ~ 35°C Storage temperature -20 ~ 60°C Humidity 20~90% RH (no condensation)

Safety Precaution

The following messages are safety reminders on how to protect your system from damages, and thus help you extend the life cycle of the system.

1. Check the Line Voltage
 - The operating voltage for the power adaptor should cover the range of AC 100~240V; otherwise, the power adaptor may be damaged. (PS: System gets DC12V from power adaptor)
2. Environmental Conditions
 - Place your system on a sturdy, level surface. Be sure to allow enough room on each side to have easy access.
 - Avoid moving the system rapidly from a hot place to a cold place or vice versa because condensation may come from inside of the system.
 - Place the system against strong vibrations, which may cause hard disk failure.
3. Handling
 - Do not turn the system upside down. This may cause the hard drive to mal-function.
 - Do not allow foreign objects to fall into this product.
 - If water or other liquid spills into this product, unplug the power cord immediately.
4. Good Care
 - When the outside of the case is stained, remove the stain with neutral washing agent with a dry cloth.
 - If dust has been accumulated on the outside, remove it by using a special made vacuum cleaner for computer.

Jumper setting



[Motherboard]