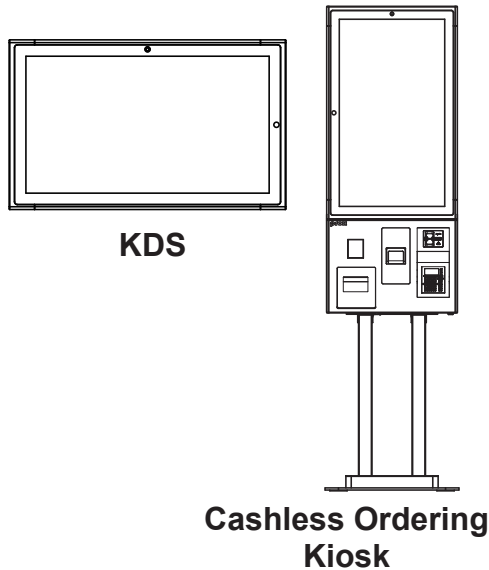


KS-M320

Quick Reference Guide



Ver. Q2

All Rights Reserved. Copyright 2022

Packing Checklist

If you discover any of the items below are damaged or lost, please contact your vendor immediately.

- | | |
|--|-----|
| <input checked="" type="checkbox"/> KS-M320 | x 1 |
| <input checked="" type="checkbox"/> This Quick Reference Guide | x 1 |
| <input checked="" type="checkbox"/> AC Power Adaptor | x 1 |
| <input checked="" type="checkbox"/> Manual/Driver DVD | x 1 |
| <input checked="" type="checkbox"/> Door Key | x 2 |

KS-M320

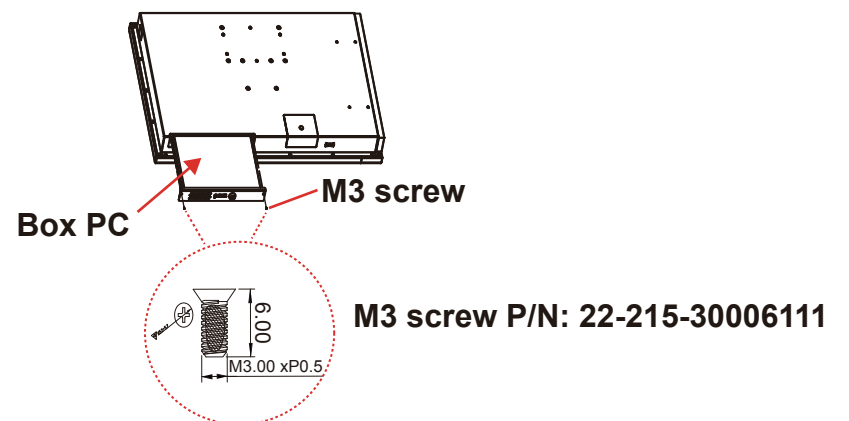
Specifications

System	
CPU	High-End: Intel® Core™ i5-7300U / Intel® Core™ i3-7100U / Pentium® 4415U / Entry Level: Intel® Celeron® J3455 CPU
Memory Support	High-End: 1 x DDR4 SO-DIMM slot (Default: 4GB) Entry Level: 1 x DDR3L SO-DIMM slot(Default: 8GB)(non-ECC)
Storage	1 x 2.5" SATA HDD (Default: 500GB)
Network	2 x Gigabit 10/100/1000 Base-T Fast Ethernet (RJ45)
Power Supply	100-240V available
System Weight	KDS: 20.7kg / Cashless Ordering Kiosk: 62.9kg
Dimensions (WxHxD)	KDS: 488 x 800 x 81mm Cashless Ordering Kiosk: 500 x 1810 x 165mm
Operating System	Windows 10
Speaker	2 x 4W Speaker
LED Indicator	1 x Green LED for Power On indication (on PPC front)
EMC & Safety	CE / FCC
Operating Display	
LCD	32" TFT LCD
Max. Resolution	FHD 1920 x 1080
Brightness	400 cd/m ²
Touchscreen	Projected capacitive touch (USB interface)
Viewing Angle	Horizontal: (R) 89° / (L) 89° / Vertical: (U) 89° / (D) 89°
External I/O Ports	
SATA/HDD Power	SATA/HDD power to external I/O with tray
Power On/Off	Power Button on I/O
System Fan Power	System fan power connector on I/O
Add-ons (optional)	
Face Camera	2.1M FHD Camera
Barcode Scanner	1D / 2D Barcode
Thermal Printer	2" or 3" Standalone Thermal printer for 80mm paper roll w/ paper near end/Resolution 203dpi Printing Speed:170mm/s
Wi-Fi Module	Dual-band (2.4/5GHz) 802.11a/b/g/n 2Tx/2Rx WiFi PCIe Half-Mini Card
Environment	
Temperature & Humidity	Operating: 5°C ~ 35°C (41°F ~ 95°F); Humidity: 20~85% Storage: 0°C ~ 60°C (32°F ~ 140°F); Humidity: 20~85%

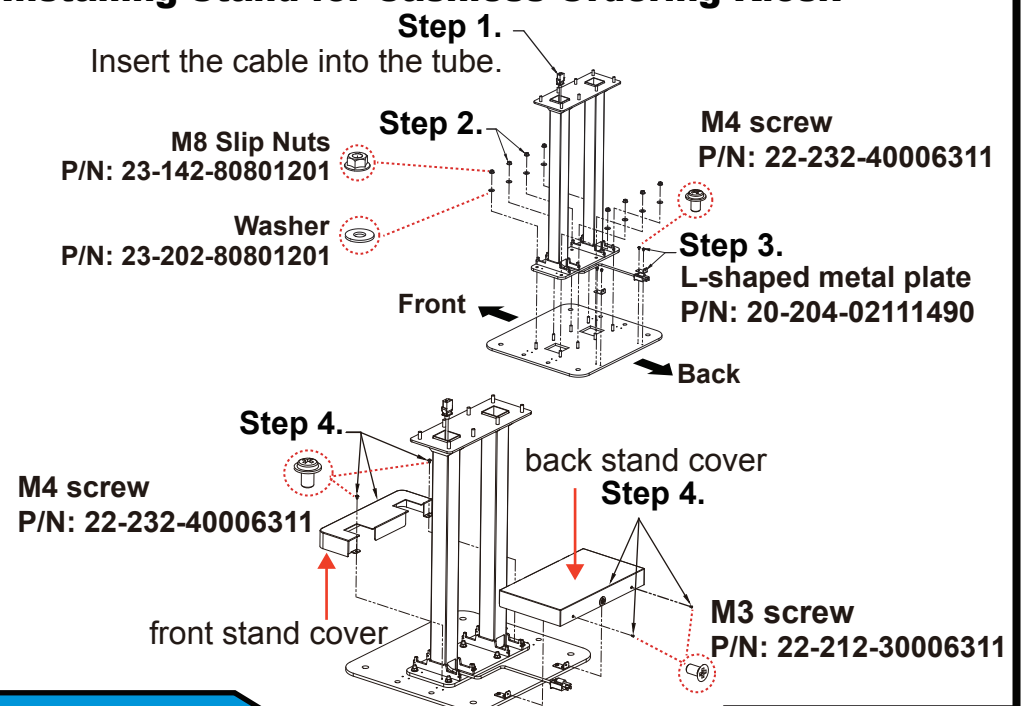
KS-M320

Installation Guide

Installing Box PC

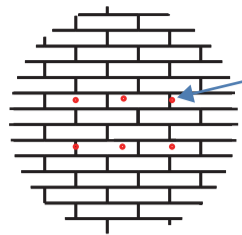


Installing Stand for Cashless Ordering Kiosk

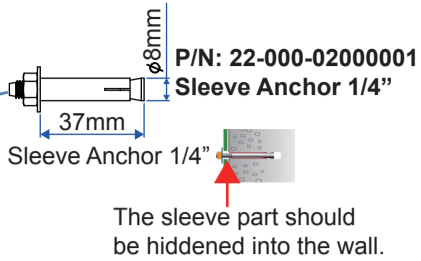


Installing Wall Mount for KDS Horizontally and Vertically

Step 1.

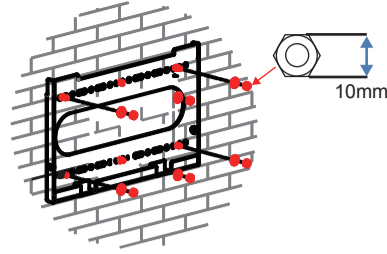


Step 2.

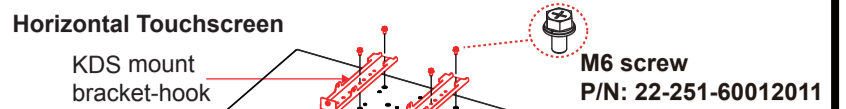


The sleeve part should be hidden into the wall.

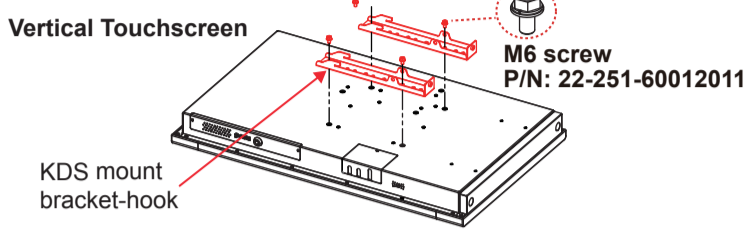
Step 3.



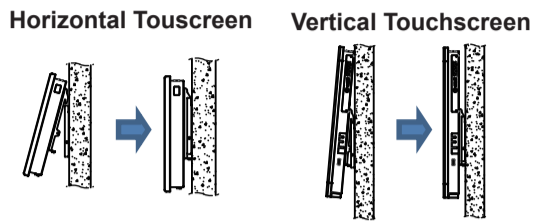
Step 4-1.



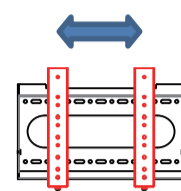
Step 4-2.



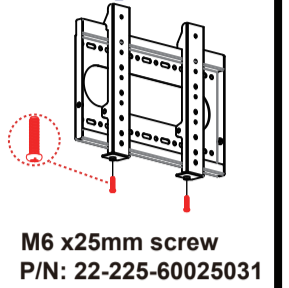
Step 5.



Step 6.

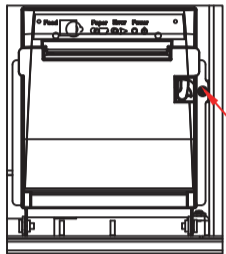


Step 7.



Installing Stand onto Body for Cashless Ordering Kiosk

Step 1.



Remove Printer screw and rotate the printer 90 degree.

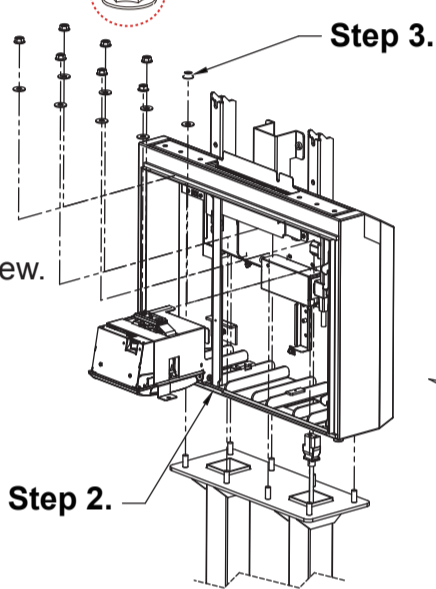
Step 2.

Insert Body into Stand.

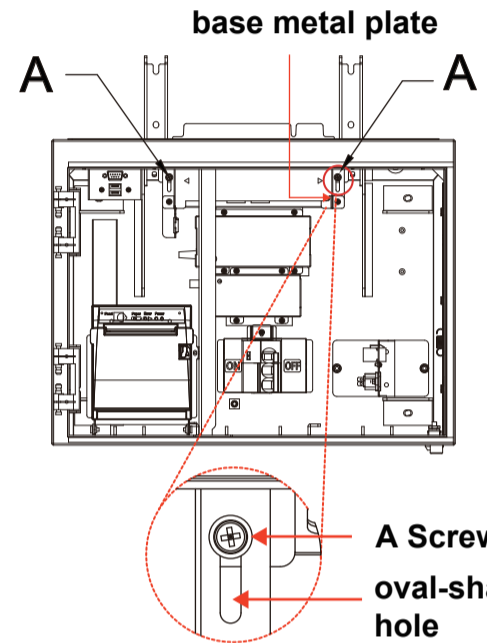
Step 3.

Fasten 8 x M8 slip nuts onto the bottom part of Body.

M8 Slip Nuts P/N: 23-142-80801201



Step 4.



Make sure "A" screws are fastened above the oval-shaped hole. (If not, please loosen "A" screws and pull down the base metal plate.)

Step 5.

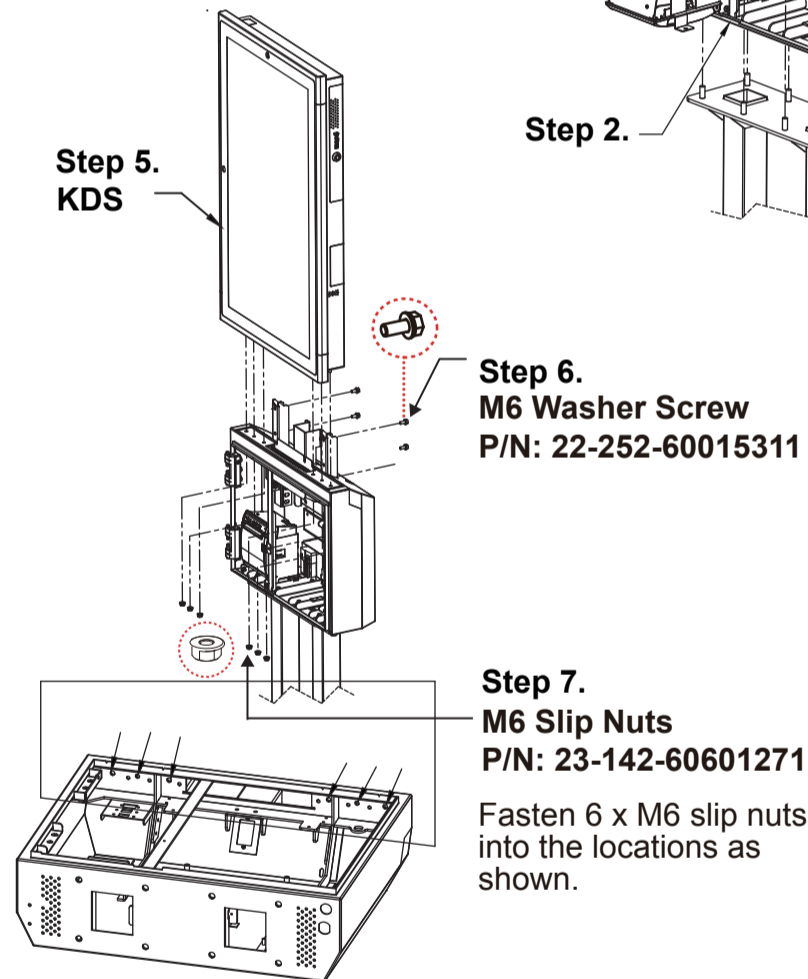
Insert KDS.

Step 6.

Fasten 4 x M6 washer screw.

Step 7.

Fasten 6 x M6 slip nuts.

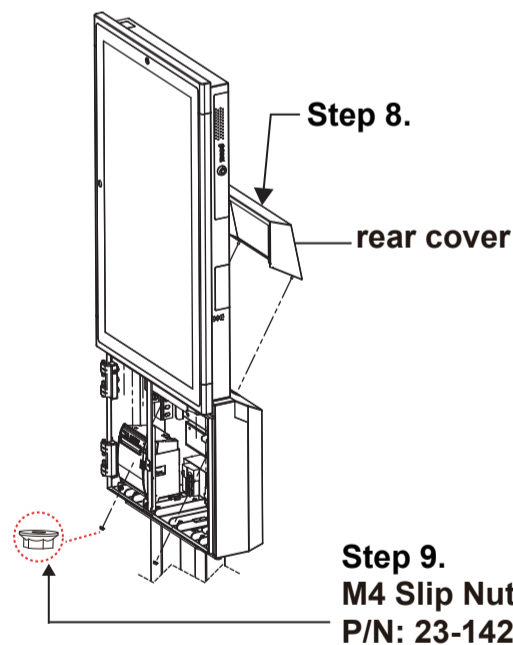


Step 8.

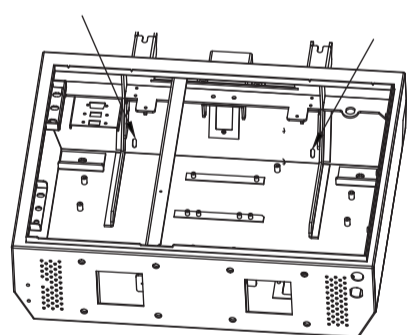
Attach on the rear cover.

Step 9.

Fasten 2 x M4 Slip Nuts.

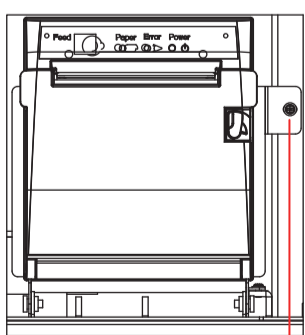


Fasten 2 x M4 slip nuts into the locations as shown.



Step 10.

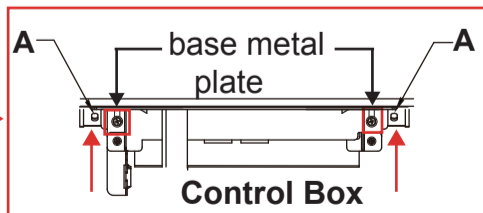
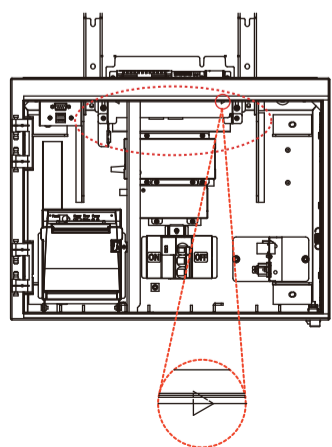
Fasten back Printer screw.



Fasten back Printer screw.

Step 11.

Fasten "A" screws tightly.

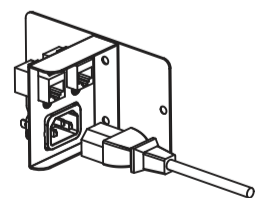


Important!!

Push up the base metal plate on both sides of the Control Box as shown and then fasten the "A" screws tightly.

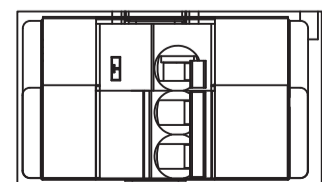
Step 12.

Plug in the AC power cable.



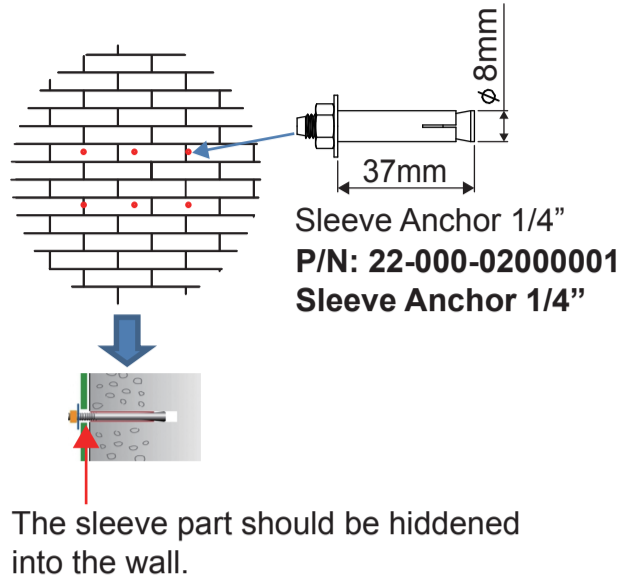
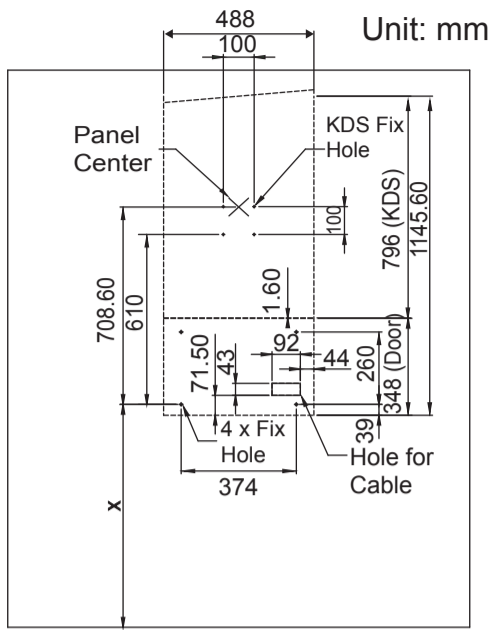
Step 13.

Switch ON the circuit breaker to complete.

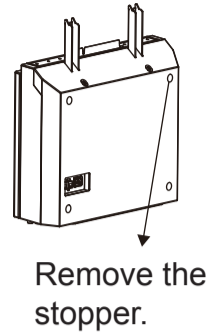


Installing Wall Mount for KDS and Body

Step 1.

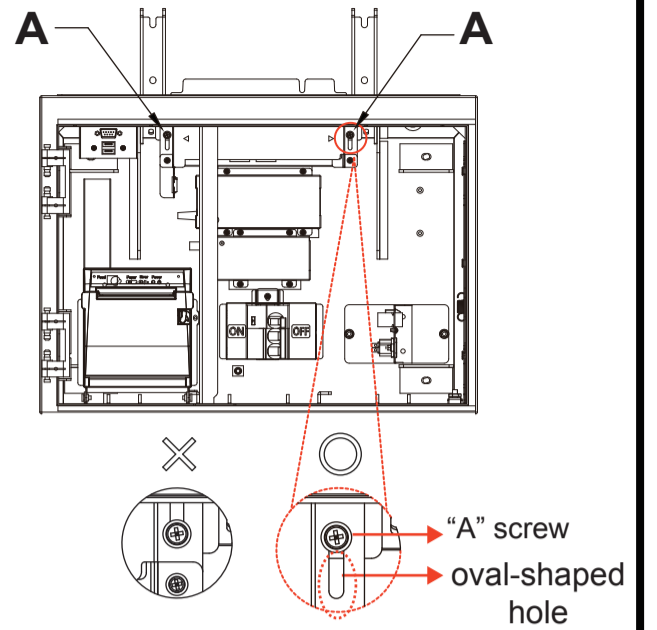


Step 2.

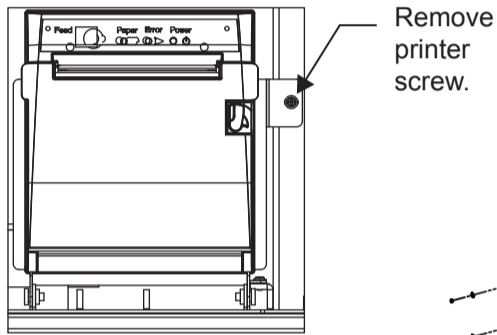


Remove the stopper.

Step 3.



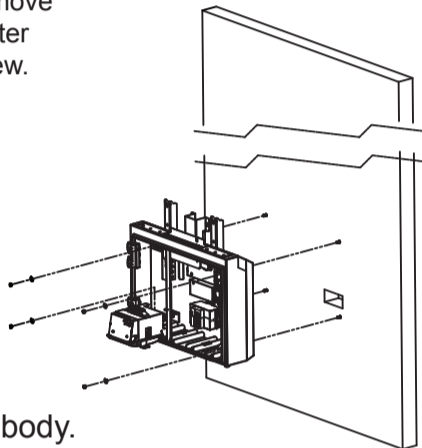
Step 4.



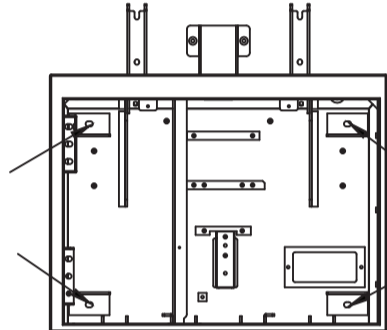
Remove printer screw.

Step 5.

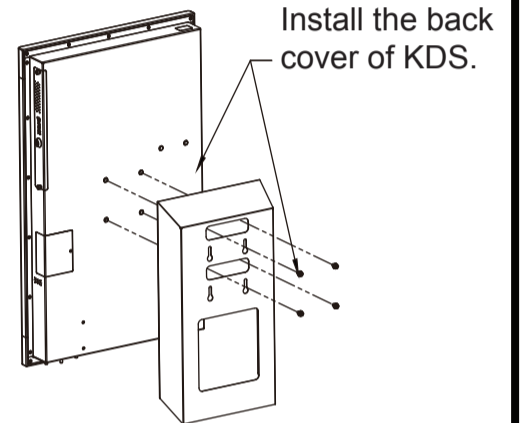
Attach the Body onto the wall.



Install the washers and screw caps to secure the fastened anchor sleeves in the 4 locations as indicated below:



Step 6.

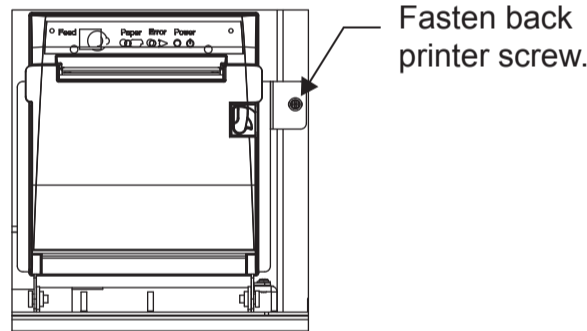
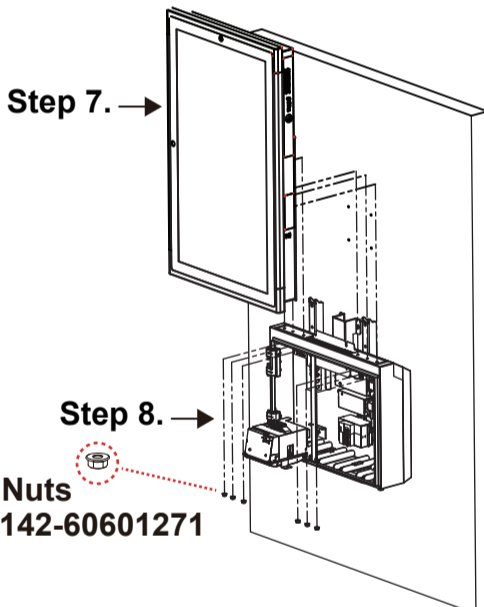


Install the back cover of KDS.

Step 7. Attach KDS onto the body.

Step 8. Fasten 6 x M6 slip nuts. (P/N: 23-142-60601271).

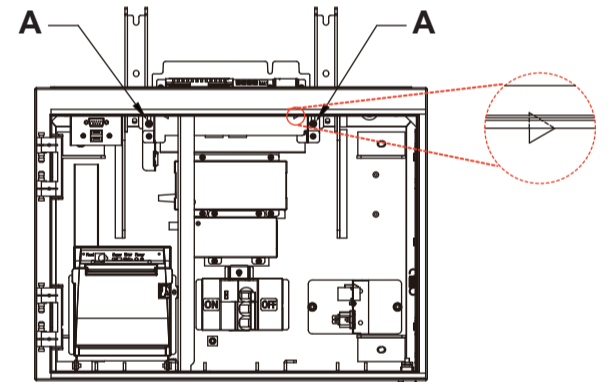
Step 9.



Fasten back printer screw.

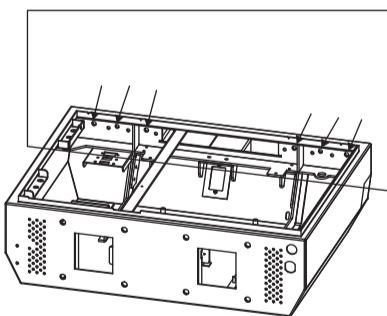
Step 10.

See Step 9 of Installing Stand onto Body for Cashless Ordering Kiosk section.

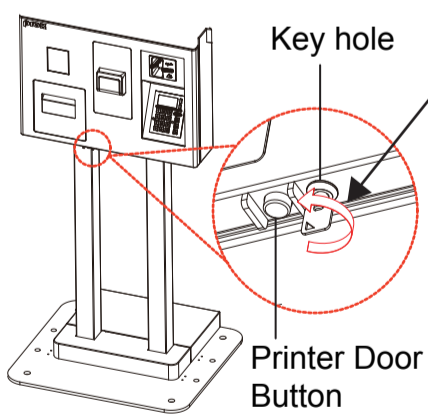


M6 Slip Nuts
P/N: 23-142-60601271

Step 8.
Fasten 6 x M6 slip nuts into the locations as indicated:



Installing Printer Paper Roll

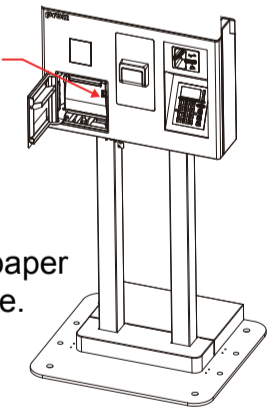


STEP 1.
Insert and rotate printer key leftwards.

STEP 2.
Press the printer door button.

STEP 3.
Press printer door button inside Printer.

STEP 4.
Install a new paper roll to complete.



Safety Precautions

1. Check the Cable Voltage

- The range of operating voltage should be AC 100~240V. Otherwise, the system could be damaged.

2. Environmental Conditions

- Place your KS-M320 on a sturdy, level surface. Be sure to allow enough space to have easy access around the system.
- Avoid extremely hot or cold place to install the system. Avoid exposure to sunlight for a long period of time or in an airtight space.
- Avoid the system from any heating device or using KS-M320 when it's been left outdoors in a cold winter day.
- Bear in mind that the operating ambient temperature is from 5°C ~ 35°C (41°F ~ 95°F).
- Avoid moving the system rapidly from a hot place to a cold place and vice versa because condensation may come from inside of the system.
- Placing KS-M320 in strong vibrations may cause hard disk failure. Don't place the system close to any radio-active device in case of signal interference.

3. Handling

- If water or other liquid spills into this product, unplug the power cord immediately.

4. Good Care

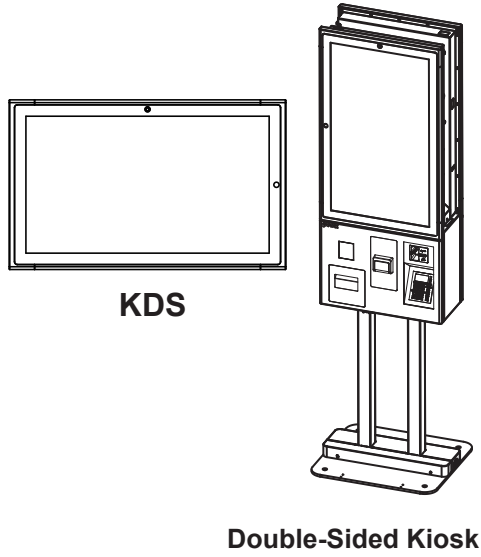
- When the outside of the case is stained, remove the stain with a neutral washing agent with a dry cloth.
- Never use strong agents such as benzene and thinner to clean the system.
- If heavy stains are present, moisten a cloth with diluted neutral washing agent or with alcohol and then wipe thoroughly with a dry cloth.

CAUTION! Danger of explosion if battery is incorrectly replaced. Replace only with the same or equivalent type recommended by the manufacturer. Dispose of used batteries according to the manufacturer's instructions.

WARNING! Some internal parts of the system may have high electrical voltage. And therefore we strongly recommend that qualified engineers can open and disassemble the system. Please handle LCD and Touchscreen with extra care as they are easily breakable.

KS-M320

Quick Reference Guide



Ver. Q2

All Rights Reserved. Copyright 2022

Packing Checklist

If you discover any of the items below are damaged or lost, please contact your vendor immediately.

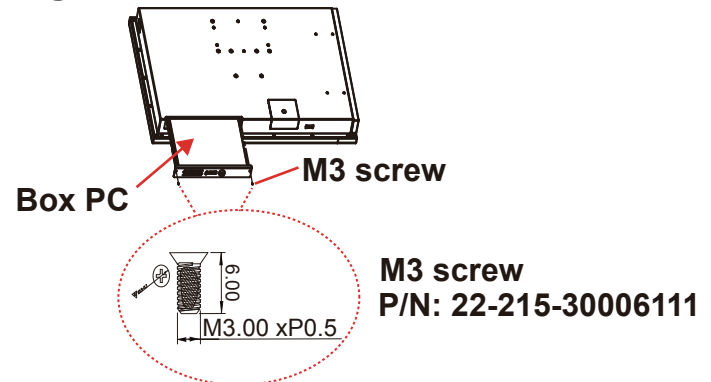
- KS-M320 x 1
- This Quick Reference Guide x 1
- AC Power Adaptor x 1
- Manual/Driver DVD x 1
- Door Key x 2

Specifications

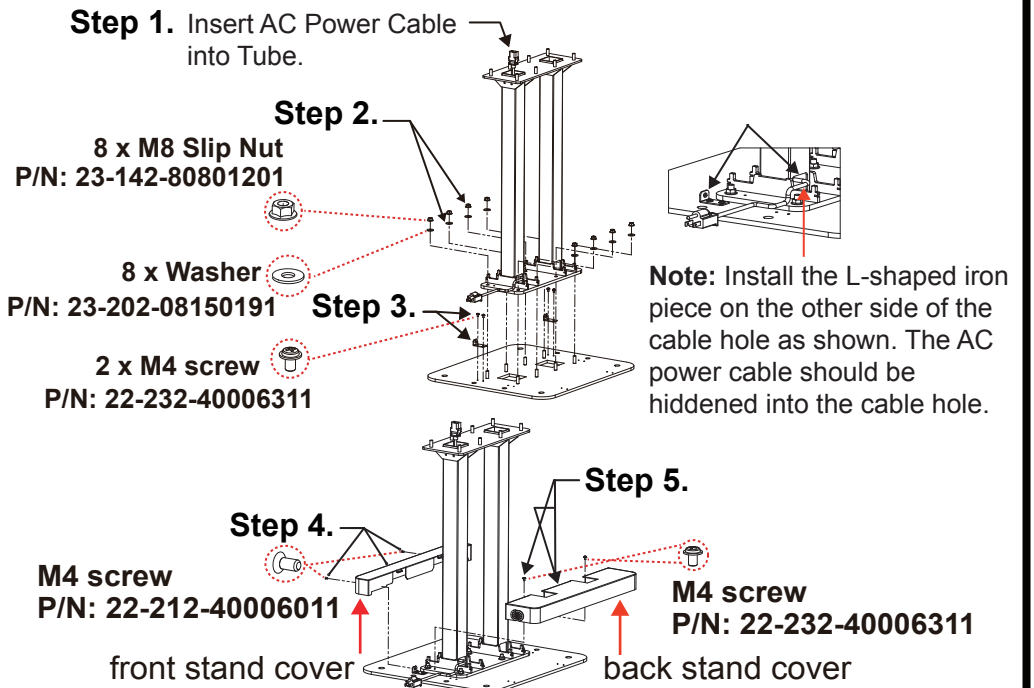
System	
CPU	High-End: Intel® Core™ i5-7300U / Intel® Core™i3-7100U / Pentium® 4415U / Entry Level: Intel® Celeron® J3455 CPU
Memory Support	High-End: 1 x DDR4 SO-DIMM slot (Default: 4GB) Entry Level: 1 x DDR3L SO-DIMM slot (Default:8GB)(non-ECC)
Storage	1 x 2.5" SATA HDD (Default: 500GB)
Network	2 x Gigabit 10/100/1000 Base-T Fast Ethernet (RJ45)
Power Supply	100-240V available
System Weight	KDS: 20.7kg / Double-Side Kiosk: 74.9kg
Dimensions (WxHxD)	KDS: 488 x 800 x 81mm Double-Side Kiosk: 500 x 1810 x 228mm
Operating System	Windows 10
Speaker	2 x 4W Speaker
LED Indicator	1 x Green LED for Power On indication (on PPC front)
EMC & Safety	CE / FCC
Operating Display	
LCD	32" TFT LCD
Max. Resolution	FHD 1920 x 1080
Brightness	400 cd/m ²
Touchscreen	Projected capacitive touch (USB interface)
Viewing Angle	Horizontal: (R) 89° / (L) 89° / Vertical: (U) 89° / (D) 89°
External I/O Ports	
SATA/HDD Power	SATA/HDD power to external I/O with tray
Power On/Off	Power Button on I/O
System Fan Power	System fan power connector on I/O
Add-ons (optional)	
Face Camera	2.1M FHD Camera
Barcode Scanner	1D / 2D Barcode
Thermal Printer	2" or 3" Standalone Thermal printer for 80mm paper roll w/ paper near end/Resolution 203dpi Printing Speed:170mm/s
Wi-Fi Module	Dual-band (2.4/5GHz) 802.11a/b/g/n 2Tx/2Rx WiFi PCIe Half-Mini Card
Environment	
Temperature & Humidity	Operating: 5°C ~ 35°C (41°F ~ 95°F); Humidity: 20~85% Storage: 0°C ~ 60°C (32°F ~ 140°F); Humidity: 20~85%

Installation Guide

Installing Box PC

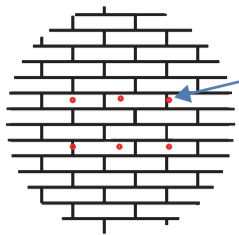


Installing Stand for Double-Sided Kiosk

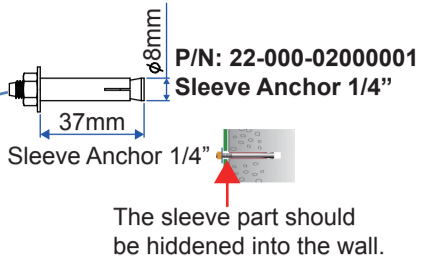


Installing Wall Mount for KDS Horizontally and Vertically

Step 1.

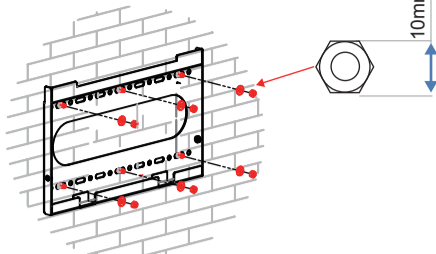


Step 2.



The sleeve part should be hidden into the wall.

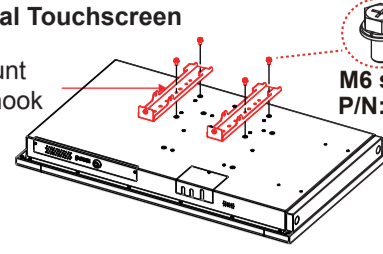
Step 3.



Step 4-1.

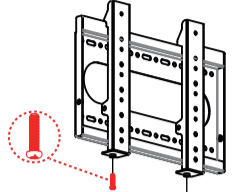
Horizontal Touchscreen

KDS mount bracket-hook



M6 screw
P/N: 22-251-60012011

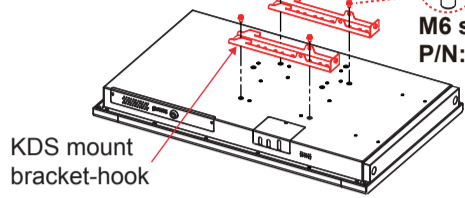
Step 7.



M6 x25mm screw
P/N: 22-225-60025031

Step 4-2.

Vertical Touchscreen

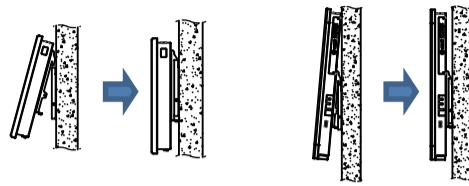


M6 screw
P/N: 22-251-60012011

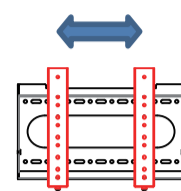
Step 5.

Horizontal Touchscreen

Vertical Touchscreen

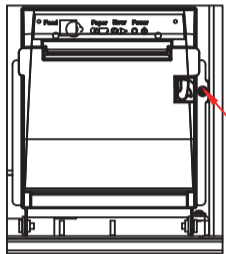


Step 6.



Installing Stand onto Body for Double-Sided Kiosk

Step 1.



Printer

Remove Printer screw and rotate the printer 90 degree.

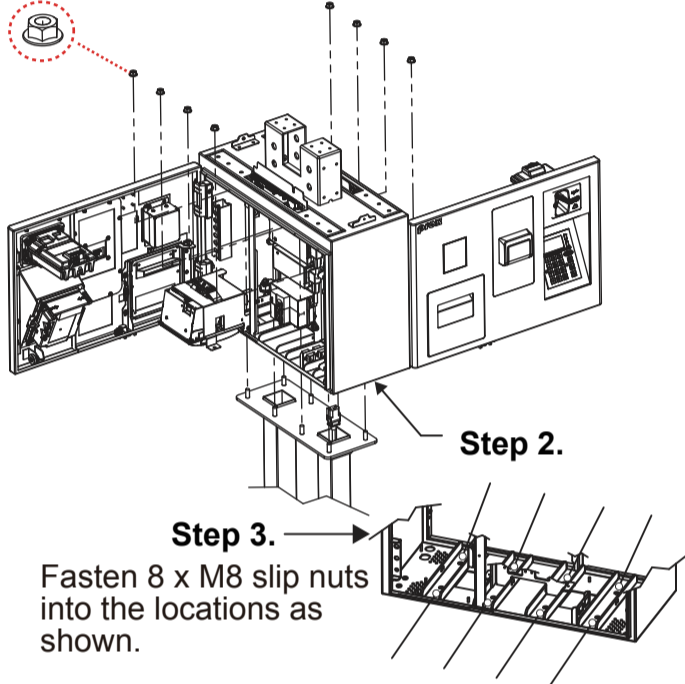
Step 2.

Insert Body into Stand.

Step 3.

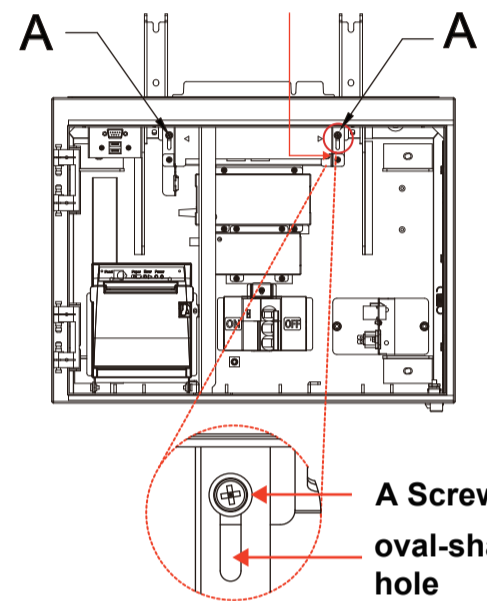
Fasten 8 x M8 slip nuts on the inside of Body.

M8 Slip Nuts P/N: 23-142-80801201



Step 4.

base metal plate

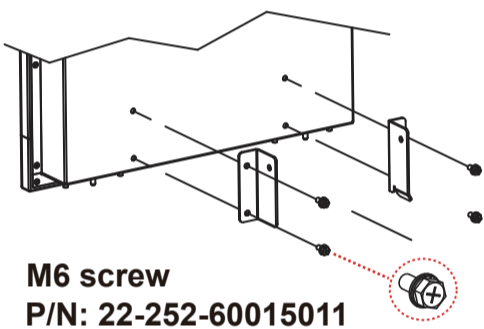


A Screw
oval-shaped hole

Make sure "A" screws are fastened above the oval-shaped hole. (If not, please loosen "A" screws and pull down the base metal plate.)

Step 5.

Lock Link-L with 2 x M6 screws and Link-R with 2 x M6 screws onto KDS.

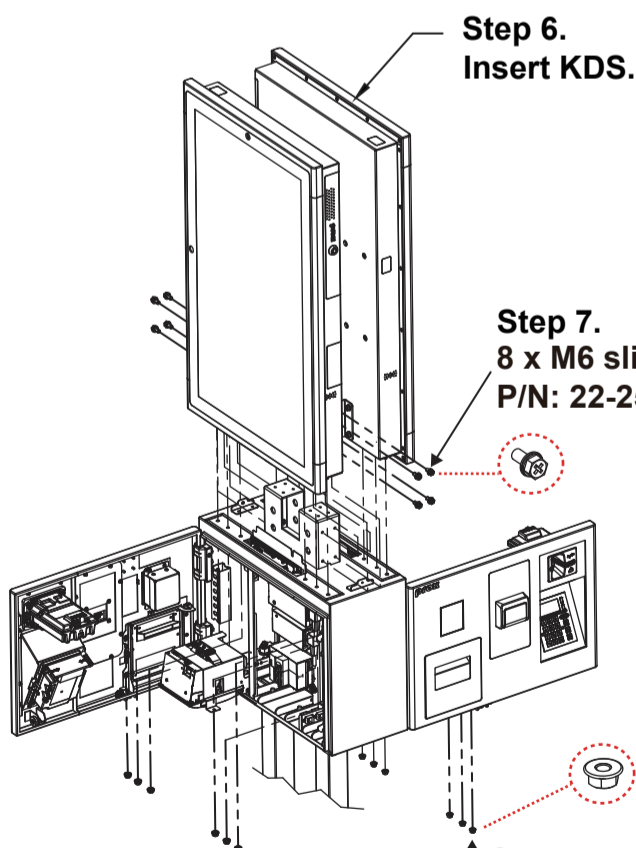


M6 screw
P/N: 22-252-60015011

Step 6. Insert 2 x KDS onto Body.

Step 7. Fasten 8 x M6 slip nuts.

Step 8. Fasten 12 x M6 slip nuts.



Step 6.
Insert KDS.

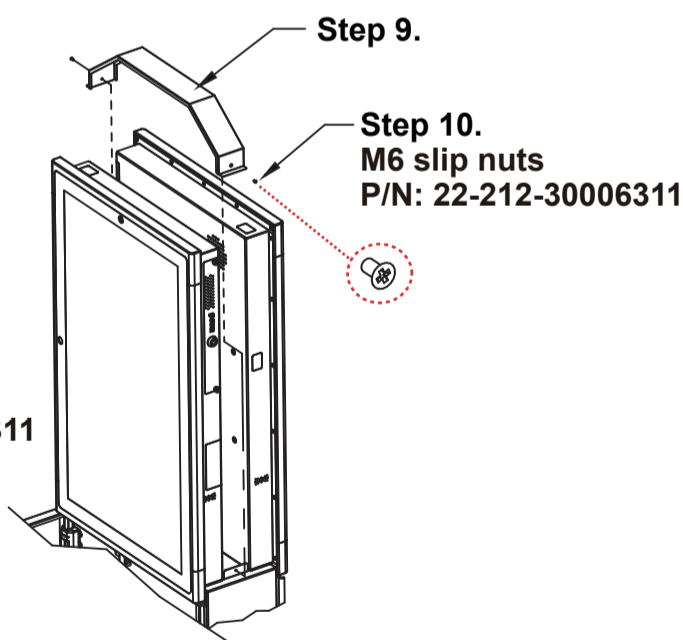
Step 7.
8 x M6 slip nut
P/N: 22-252-60015311

Step 8.
12 x M6 slip nut
P/N: 23-142-60601271

Fasten 12 x M6 slip nuts into the locations as shown.

Step 9. Attach on back cover.

Step 10. Fasten 2 x M6 Slip Nuts into the locations as shown:

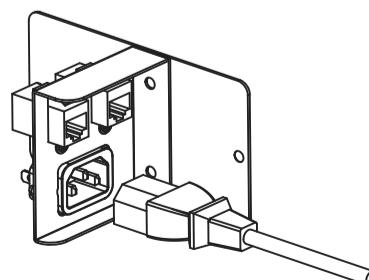


Step 9.

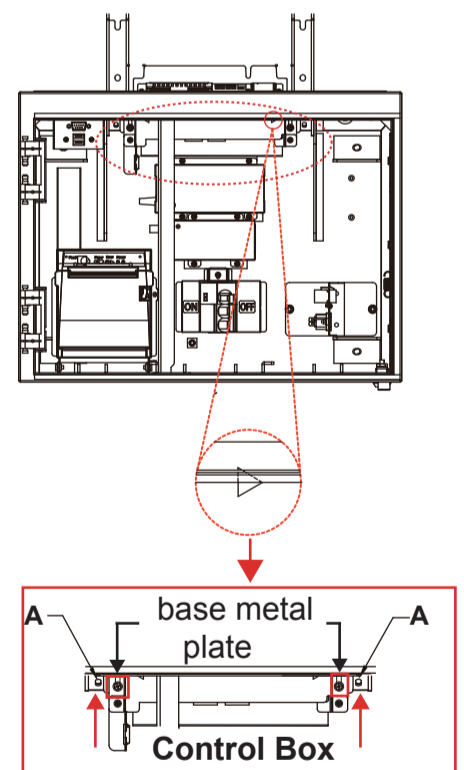
Step 10.
M6 slip nuts
P/N: 22-212-30006311

Step 12.

Plug in the AC power cable.



Step 11. Fasten "A" screws tightly.

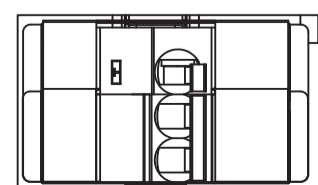


Important!!

Push up the base metal plate on both sides of the Control Box as shown and then fasten the "A" screws tightly.

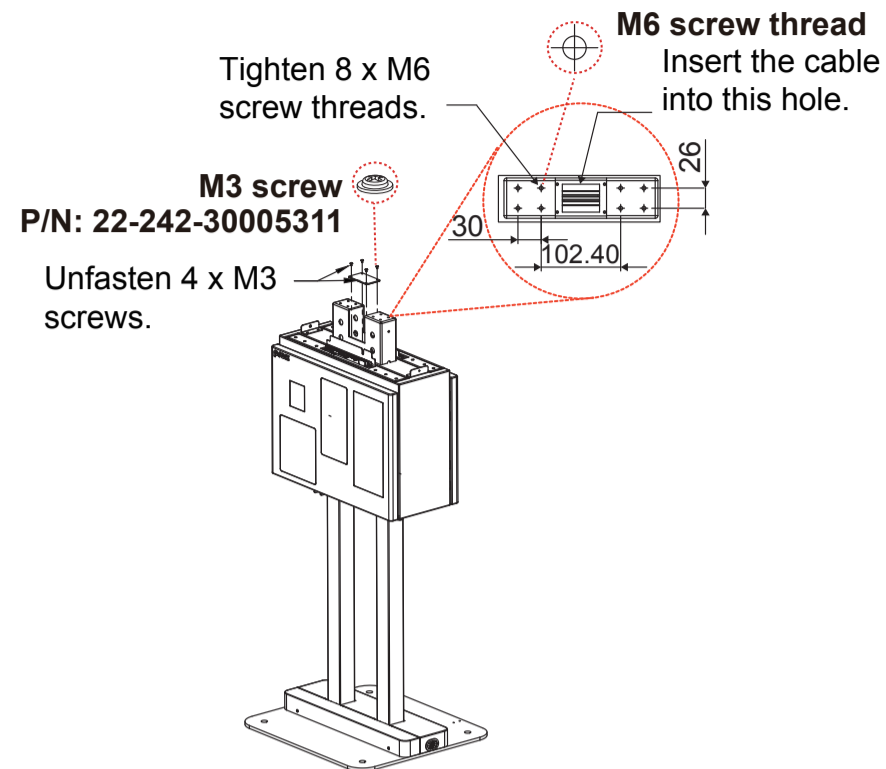
Step 13.

Switch ON the circuit breaker to complete.

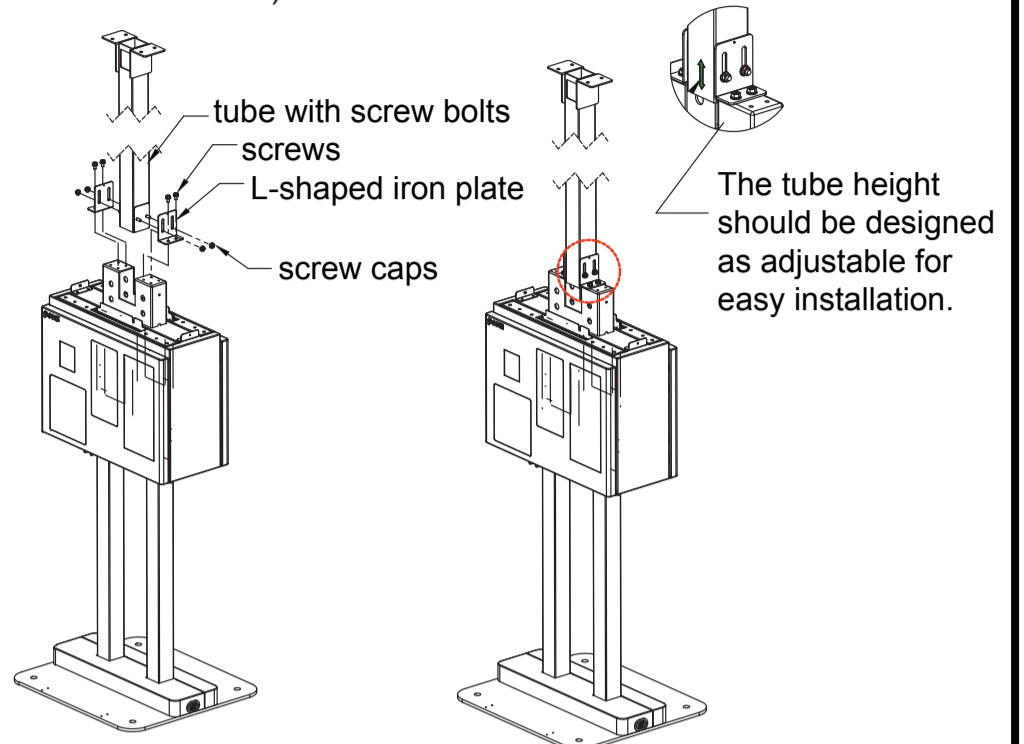


Installing Ceiling Mount for KDS and Body

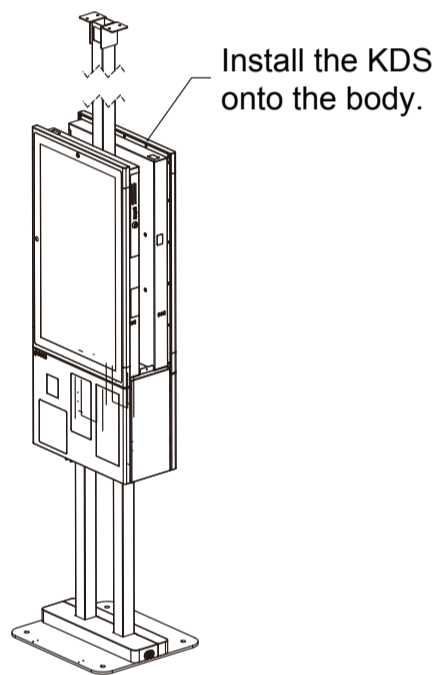
Step 1. Unfasten 4 x M3 screws to remove pole cover as shown, and tighten 8 x M6 screw threads.



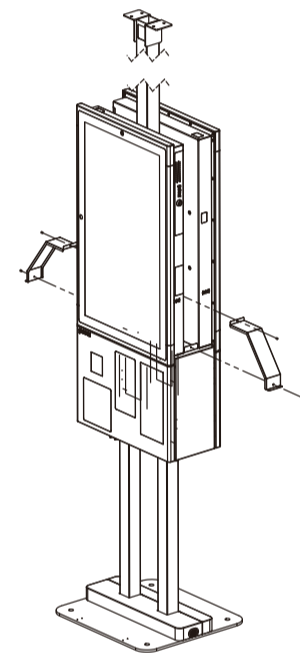
Step 2. The pictures below are only for ceiling mount design reference. (Note: The ceiling mount components should be prepared by customers.)



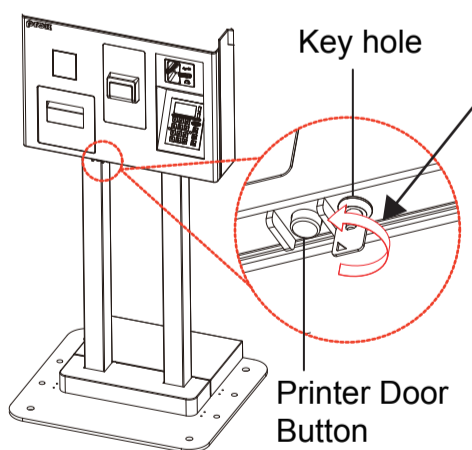
Step 3. Install the two KDS onto the Body. (Refer to Step 6, 7, 8 of Installing Stand and KDS onto Body for Double-Sided Kiosk section on Page 2.)



Step 4. Install the cover plates on both sides as shown to complete.



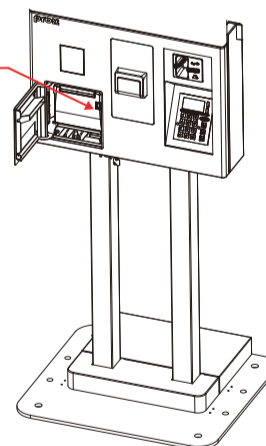
Installing Printer Paper Roll



STEP 1. Insert and rotate printer key leftwards.

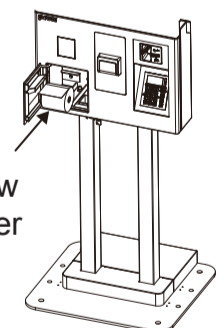
STEP 2. Press the printer door button.

STEP 3. Press printer door button inside Printer.



STEP 4. Install a new paper roll to complete.

Install a new printer paper roll.



Safety Precautions

1. Check the Cable Voltage

- The range of operating voltage should be AC 100~240V. Otherwise, the system could be damaged.

2. Environmental Conditions

- Place your KS-M320 on a sturdy, level surface. Be sure to allow enough space to have easy access around the system.
- Avoid extremely hot or cold place to install the system. Avoid exposure to sunlight for a long period of time or in an airtight space.
- Avoid the system from any heating device or using KS-M320 when it's been left outdoors in a cold winter day.
- Bear in mind that the operating ambient temperature is from 5°C ~ 35°C (41°F ~ 95°F).
- Avoid moving the system rapidly from a hot place to a cold place and vice versa because condensation may come from inside of the system.
- Placing KS-M320 in strong vibrations may cause hard disk failure. Don't place the system close to any radio-active device in case of signal interference.

3. Handling

- If water or other liquid spills into this product, unplug the power cord immediately.

4. Good Care

- When the outside of the case is stained, remove the stain with a neutral washing agent with a dry cloth.
- Never use strong agents such as benzene and thinner to clean the system.
- If heavy stains are present, moisten a cloth with diluted neutral washing agent or with alcohol and then wipe thoroughly with a dry cloth.

CAUTION! Danger of explosion if battery is incorrectly replaced. Replace only with the same or equivalent type recommended by the manufacturer. Dispose of used batteries according to the manufacturer's instructions.

WARNING! Some internal parts of the system may have high electrical voltage. And therefore we strongly recommend that qualified engineers can open and disassemble the system. Please handle LCD and Touchscreen with extra care as they are easily breakable.