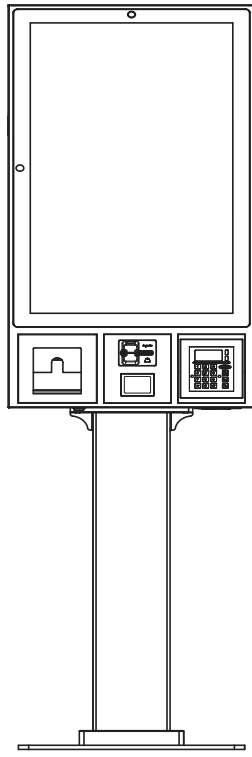


KS-M331

Quick Reference Guide



Ver. Q1

All Rights Reserved. Copyright 2023

Packing Checklist

If you discover any of the items below are damaged or lost, please contact your vendor immediately.

- KS-M331 x 1
- This Quick Reference Guide x 1
- Manual / Driver DVD x 1
- Door Key x 2

KS-M331

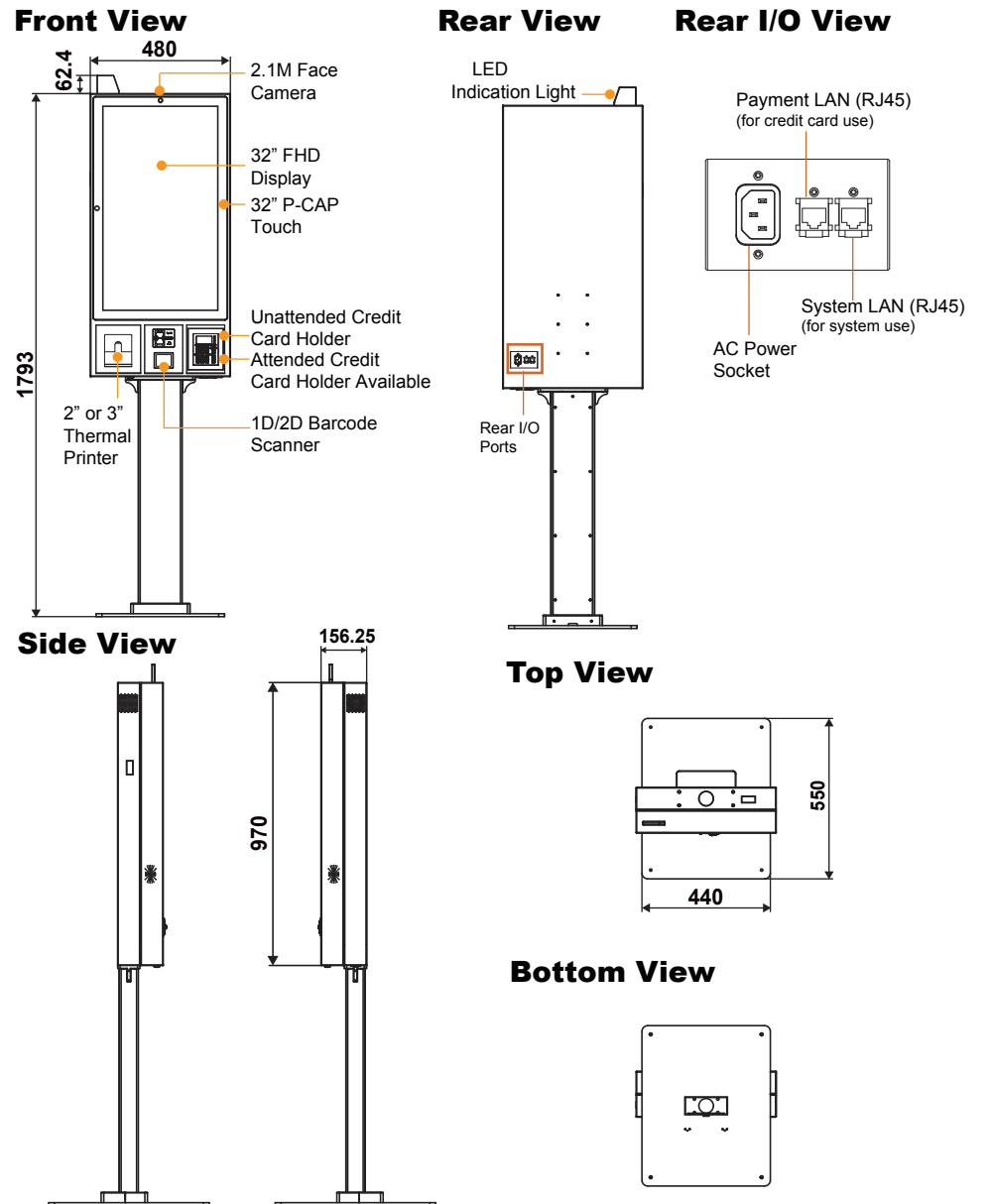
Specifications

System	
CPU	Intel® Celeron® 6305E / Intel® Pentium® 7505 / Intel® Core® i3-1115G4E / Intel® Core® i5-1145G7E
Memory Support	1 x DDR4 SO-DIMM slot (support 4GB/8GB/16GB)
Storage	1 x M.2 SATA III SSD available 1 x M.2 NVMe SSD available
Network	1 x Gigabit 10/100/1000 Base-T Fast Ethernet (RJ45)
Power Supply	AC 90~264V Power Supply 200W(24V)
System Weight	35 kg (without stand) / 64 kg (with stand)
Dimensions (WxHxD)	480 x 970 x 156 mm (without stand) 480 x 970 x 550 mm (with stand)
Operating System	Windows 10 / Windows 11
Speaker	2 x 4W Speaker
System Fan	1 x system fan
LED Indicator	1 x LED Indicators available (with Green/Orange/Red)
EMC & Safety	CE / FCC / LVD
Operating Display	
LCD	32" TFT Backlight (LED) LCD
Max. Resolution	FHD 1920 x 1080
Brightness	Typ. 400 cd/m ²
Touchscreen	Projected capacitive touch (USB interface)
Viewing Angle	Horizontal: (R) 89° / (L) 89° / Vertical: (U) 89° / (D) 89°
External I/O Ports	
Ethernet LAN	1 x RJ45 (for System)
Payment LAN	1 x RJ45 (for Credit Card Reader)
AC Power	1 x AC power socket
Add-ons (optional)	
Face Camera	2.1M FHD Camera
Barcode Scanner	1D / 2D Barcode
Thermal Printer	2" or 3" Standalone Thermal printer
Wi-Fi BT Module	Intel AC 9260 802.11a/b/g/n/ac WiFi/BT 5.1 Module, M.2 2230, 2x2 Antenna
Environment	
Temperature	Operating: 0°C ~ 40°C (32°F ~ 104°F) Storage: 0°C ~ 60°C (32°F ~ 140°F)
Humidity	20% ~ 85% (no condensation)

KS-M331

System View

Unit: mm



Easy Maintenance

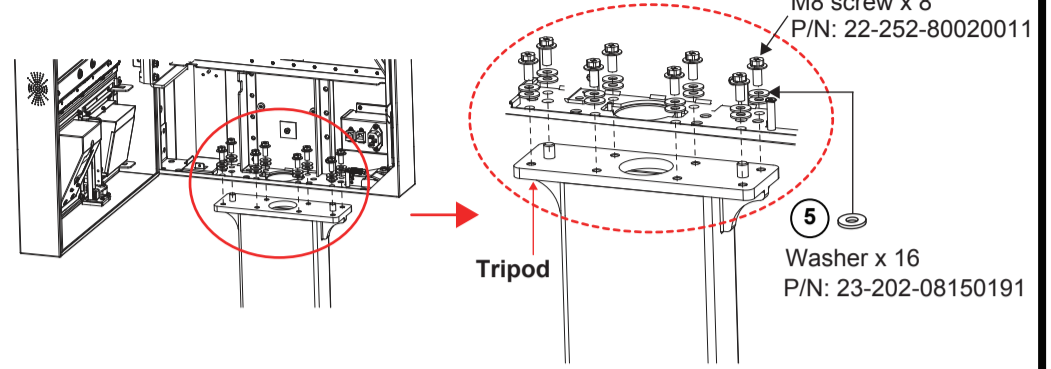
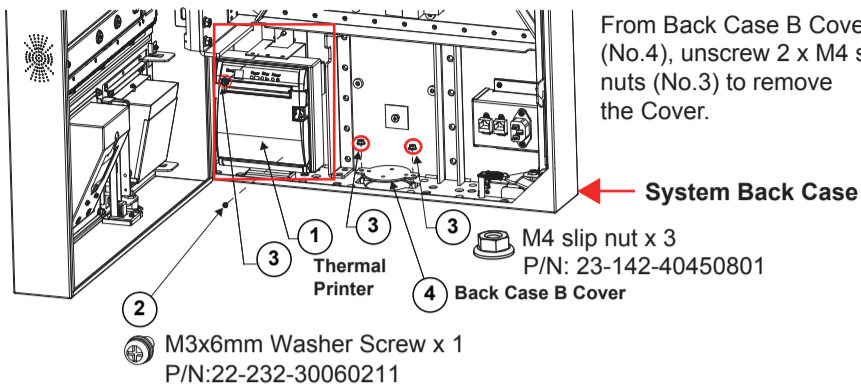
Installing Body Onto Stand

Step 1. From Thermal Printer (No.1), unscrew M3x6mm washer screw (No.2) and M4 slip nut (No.3) and remove Printer.

Step 2.

From Back Case B Cover (No.4), unscrew 2 x M4 slip nuts (No.3) to remove the Cover.

Step 3. Fasten Washers (x16) and M8 screws (x 8) to install Back Case onto the Tripod as shown and install back Thermal Printer to complete.



Re-Locating AC Power Socket & LAN Connector when with Floor Stand

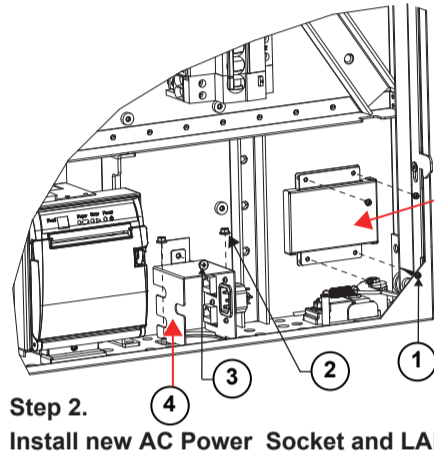
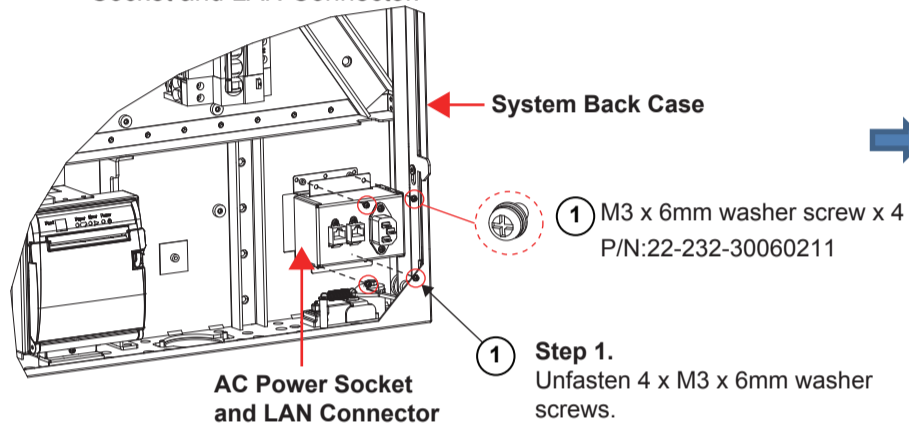
Note: Users are only required to re-locate AC Power Socket and LAN Connector when Floor Stand is installed and users can wire LAN cables internally into Stand Tube.

Step 1. Unfasten 4 x M3x6mm washer screws to remove the AC Power Socket and LAN Connector.

Step 2. Place the new AC Power Socket and LAN Connector (No.4) as shown into the proper position and tighten M4x5mm screw (No.3) to secure.

Step 3.

Install AC Blank Cover (No.5) as shown to cover the opened space. Tighten back 4 x M3x6mm washer screws (No.1) and 2 x M4 slip nuts to secure AC Blank Cover to complete.



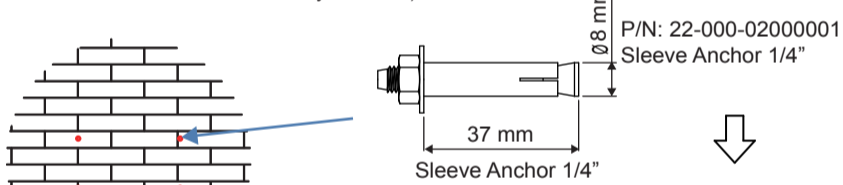
- 1 M3x6mm washer screw x 4
P/N: 22-232-30060211
- 2 M4 slip nut x 2
P/N: 23-142-40450801
- 3 M4x5mm screw x 1
P/N: 22-275-40050911

Installing Wall Mount

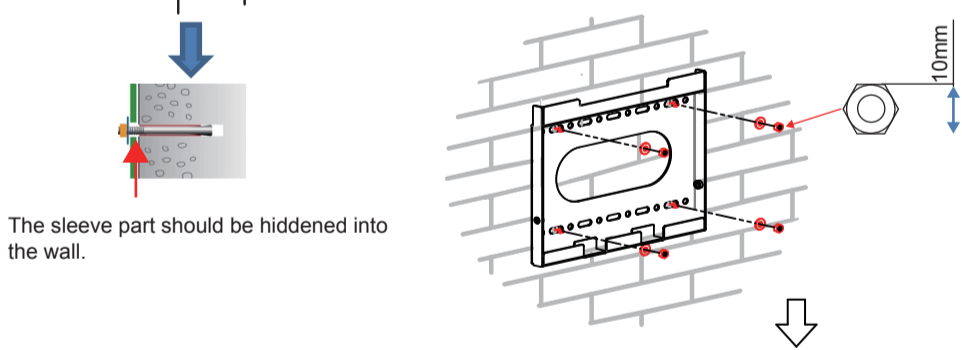
Step 1. Determine the location of the wall mount bracket to be installed on the wall and use a pencil to mark the locations that the sleeve anchors will be fastened.

Step 5. Attach the system installed with the mount bracket-hook onto the mount bracket-rail fixed on the wall.

Step 2. Install the sleeve anchors into the intended locations. Note that the sleeve should be installed inside the wall.
(Note: The pictures below are only for reference. You can determine the number of holes and sleeve anchors that you need.)

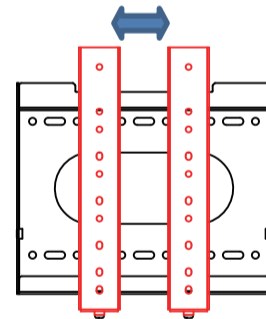


Step 3. Fix the System Body mount bracket-rail onto the wall:

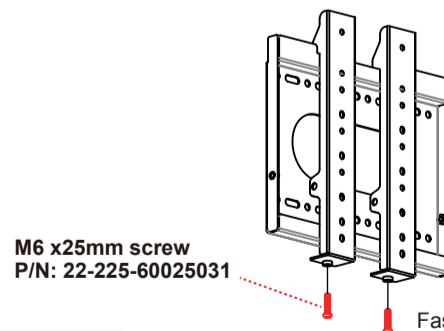
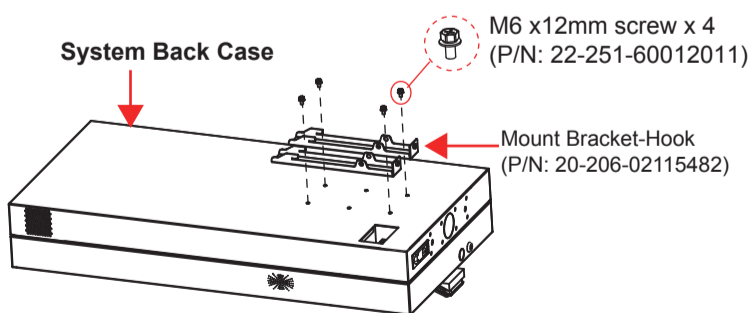


Step 4. Fasten 2 x mount bracket-hook (P/N: 20-206-02115482) onto the rear of the system with 4 screws (M6x1.0Px12mm) (P/N: 22-251-60012011).

Step 6. Adjust System Body to secure the mount bracket-hook into mount bracket-rail firmly.



Step 7. Fasten the two M6 screws to complete the installation.



Safety Precaution

The following messages are reminders for safety on how to protect your system from damages and extend a long life of the system.

1. Check the Cable Voltage

- The range of operating voltage should be AC 90~264V Power Supply 200W(24V). Otherwise, the system could be damaged.

2. Environmental Conditions

- Place your KS-M331 on a sturdy, level surface. Be sure to allow enough space to have easy access around the system.
- Avoid extremely hot or cold place to install the system.
- Avoid exposure to sunlight for a long period of time or in an airtight space.
- Avoid the system from any heating device or using KS-M331 when it's been left outdoors in a cold winter day.
- Bear in mind that the operating ambient temperature is from 0°C ~ 40°C (32°F ~ 104°F).
- Avoid moving the system rapidly from a hot place to a cold place and vice versa because condensation may come from inside of the system.
- Placing KS-M331 in strong vibrations may cause hard disk failure.
- Don't place the system close to any radio-active device in case of signal interference.

3. Handling

- Avoid putting heavy objects on top of the system.

- Do not turn the system upside down. This may cause the hard drive to mal-function.
- If water or other liquid spills into this product, unplug the power cord immediately.

4. Good Care

- When the outside of the case is stained, remove the stain with a neutral washing agent with a dry cloth.
- Never use strong agents such as benzene and thinner to clean the system.
- If heavy stains are present, moisten a cloth with diluted neutral washing agent or with alcohol and then wipe thoroughly with a dry cloth.
- If dust has been accumulated on the outside, remove it by using a special made vacuum cleaner for computers.

CAUTION! Danger of explosion if battery is incorrectly replaced. Replace only with the same or equivalent type recommended by the manufacturer. Dispose of used batteries according to the manufacturer's instructions.

WARNING! Some internal parts of the system may have high electrical voltage. And therefore we strongly recommend that qualified engineers can open and disassemble the system. Please handle LCD and Touchscreen with extra care as they are easily breakable.