

PA-5685(PPC)

> 15.6" Intel® Kaby Lake-U Series POS Terminal



Features



- True fanless with Aluminum die casting back cover
- HDD easy maintenance design
- Panel-PC optional MSR / i-Button / Fingerprint / VFD / 2nd display
- Optional 2" or 3" thermal printer stand

Specifications



System	CPU Support	Intel® Kaby Lake U Series Core-i3 7100U Celeron® 3965U
	Memory	1 x DDR4 SO-DIMM slot (Max. up to 16GB)
	Network	Gigabit 10/100/1000 Base-T Fast Ethernet
	Power Supply	60~90 watt power adapter
	Audio	2W speaker
	TPM	2.0
	System Weight	Approx. 6 kg with normal-stand bundled power adapter
	Dimensions (W x H x D)	391 x 250 x 49 mm
	O.S. Support	Windows 10 IoT
Storage	SATA1	1 x 2.5" HDD or SSD
	SATA2	1 x M.2 SSD
I/O Ports	USB	Rear: 2 x USB 2.0 / 2 x USB 3.0 Side: 1 x USB 2.0
	Serial Ports	1 x DB9 + 2 x RJ45 + optional 1 x RJ45 (all support +5V/+12V selectable)
	LAN	1 x RJ45, GIGA
	VGA	1 x DB15
	HDMI	1 x HDMI port
	Cash Drawer	1 + 1 (option, with Y cable) x RJ11 (+12V/+24V selectable)
	HDD Slot	1 x HDD maintenance slot
	DC In	1 x 4 pin DC power jack
	DC12V Out	1 x 3 pin connector for Protech 2nd display
	DC 24V Out	1 x 4 pin connector for Protech embedded printer stand
	Line Out	1 x 3.5 mm phone jack
	Mic	1 x 3.5 mm phone jack
	Add-ons	Customer Display
MSR & iButton		JIS I,II, ISO Track1+2+3 (PS/2 interface)
2nd Display		Hang on back: 10.4" LCD Stand-alone: 15" LCD
Fingerprint		8-bit grayscale reader
	Printer Stand	2" or 3" easy loading thermal printer with auto-cutter with stand
Display	LCD	15.6" TFT LCD
	Max. Resolution	1366 x 768
	Brightness	220 cd/m ²
	Touchscreen	Bezel-free: projected capacitive
Environment	EMC & Safety	CE / FCC
	Operating Temp.	0°C~35°C
	Storage Temp.	-5°C~60°C
	Humidity	20%~90%

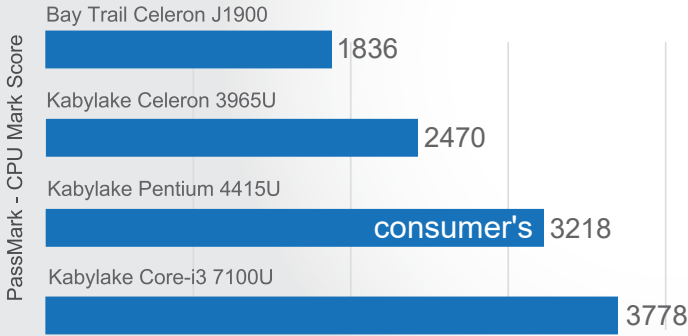
*All information contained in this document is subject to change without prior notice. Please log on www.protech.com.tw to acquire latest information.

Applications

- Automation
- Retail
- Information

Highlights

Fanless & High Performance

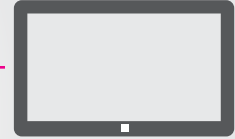


Triple Display Support

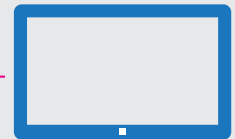


1st Display
1366x768 pixel
via internal LVDS

2nd Display
1080P@60Hz via VGA

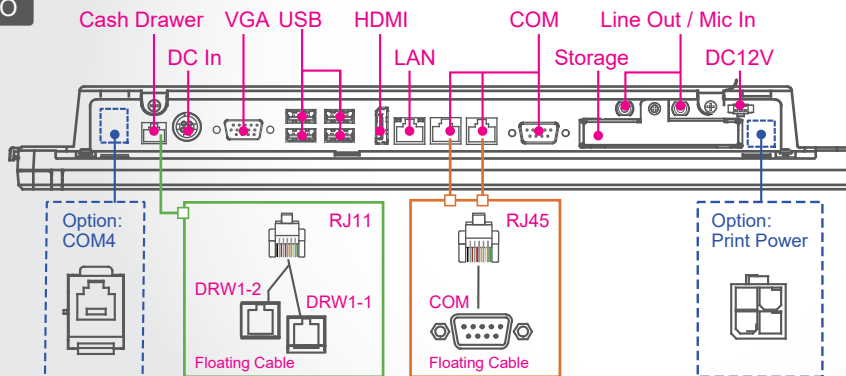


3rd Display
4096x2304@60Hz via HDMI

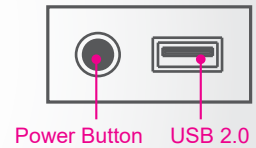


System I/O Ports

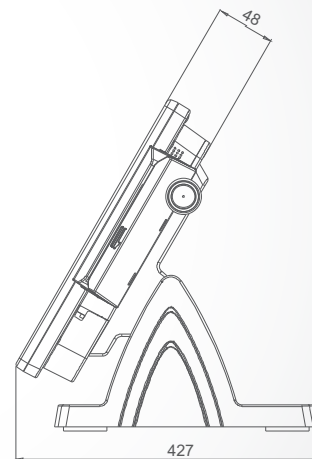
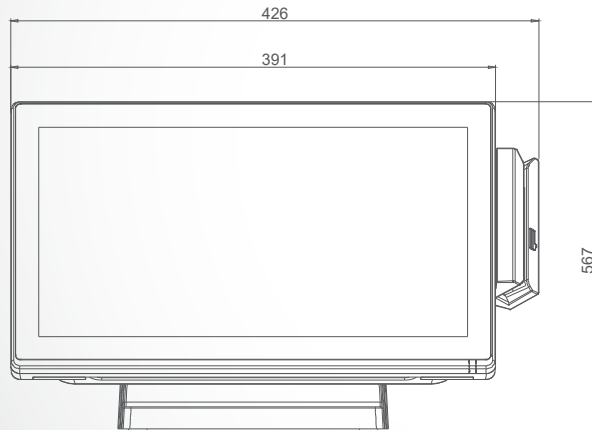
Rear I/O



Side I/O



Dimensions



unit: mm