

POS-6510-MIT/PPC

Quick Reference Guide



Ver. Q2

All Rights Reserved. Copyright 2014

Packing Checklist

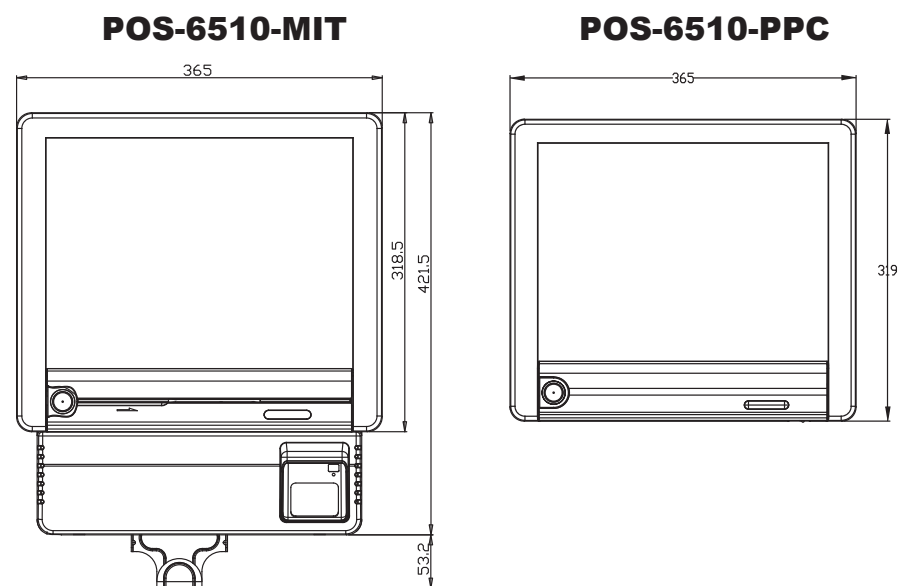
If you discover any item below is damaged or lost, please contact your vendor.

- POS-6510-MIT/PPC
- This Quick Reference Guide
- AC Power Cord (Optional)
- Driver CD
- MSR Card Reader (Optional)
- i-Button + MSR Card Reader (Optional)
- Wireless LAN module (Optional)
- Laser Scanner (Optional)
- Vertical RFID module (Optional)
- Vertical Fingerprint module (Optional)

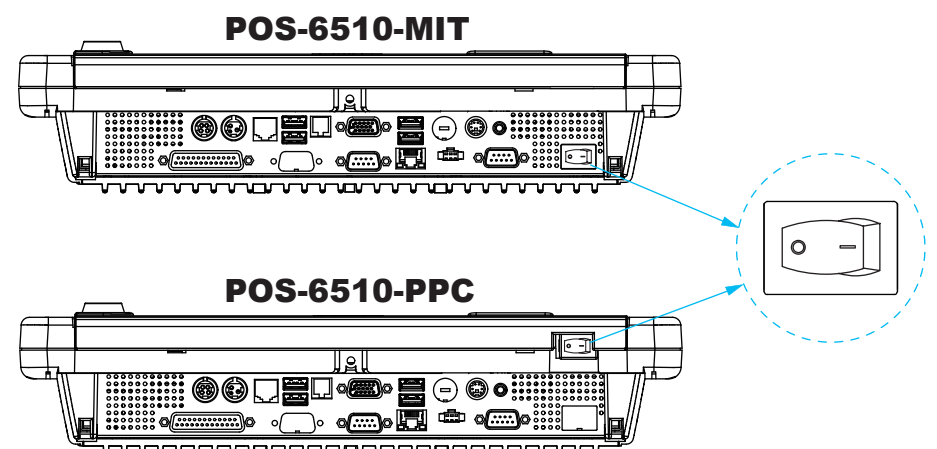
Specifications

System	
CPU Support	Intel® Atom® D525 (1.8 GHz)
Core Logic	Intel® ICH8M
Memory	1 x DDRIII SO-DIMM slot, up to 4GB
HDD	1 x 2.5" serial ATA Hard Disk
CF	1 x Compact Flash slot for CF type I/II storage
Network	1 x Giga LAN Base-T Fast Ethernet
Power Supply	120W power adapter
Speaker	1 x 2W
System Weight	POS-6510-MIT : 8.4kg POS-6510-PPC: 6.5kg
Dimension (WxHxD)	POS-6510-MIT : 365 x 421 x 75.7 mm POS-6510-PPC: 365 x 318.5 x 77 mm
I/O Ports	
USB	4 on rear I/O port, 1 on the left side of back cover
Serial Ports	2 x DB-9 (COM 2&3), 1 x RJ-45 (COM1)
Keyboard/Mouse	1 x PS/2 ports
Audio	Line-out
VGA	1 x DB-15 VGA Interfacer
Cash Drawer	1 x RJ-11 port, 12/24V selectable
Display	
LCD	15" TFT LCD, 250nits, 1024 x 768 resolution
Touch Screen	Resistive or Capacitive
Viewing Angle	0 ~ 60 degree
Environment	
Operating Temp.	0 °C ~ 35 °C
Storage Temp.	-20 °C ~ 60 °C
Humidity	20% ~ 90%

System View



I/O View



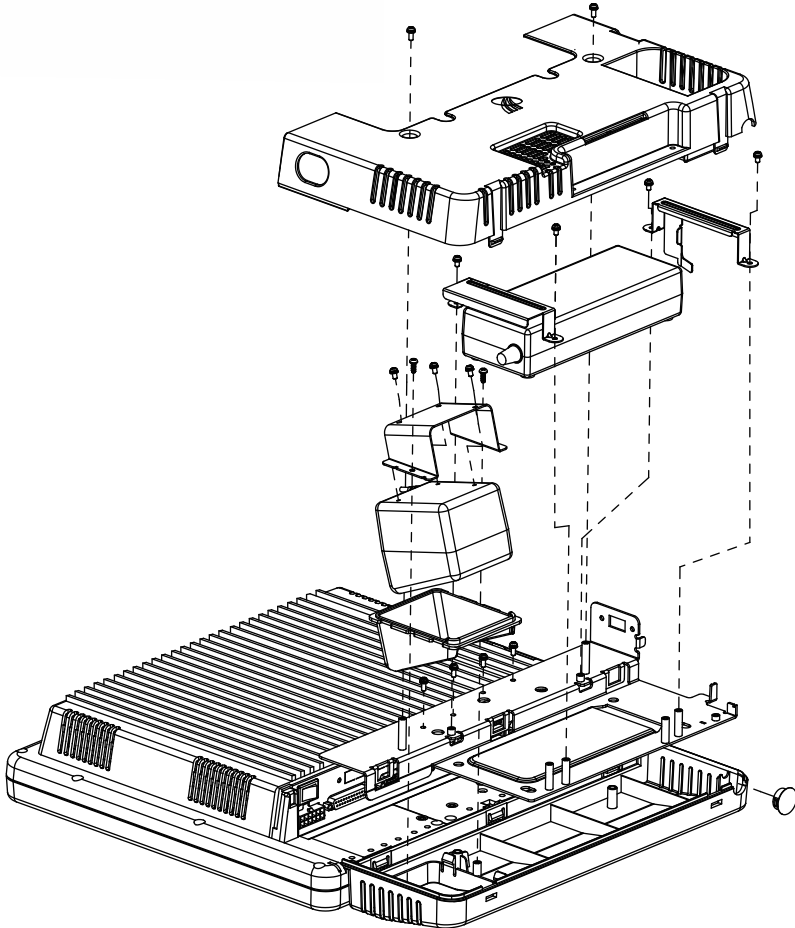
Unit: mm

POS-6510-MIT/PPC

15" Fanless POS Terminal with Intel® Atom Platform

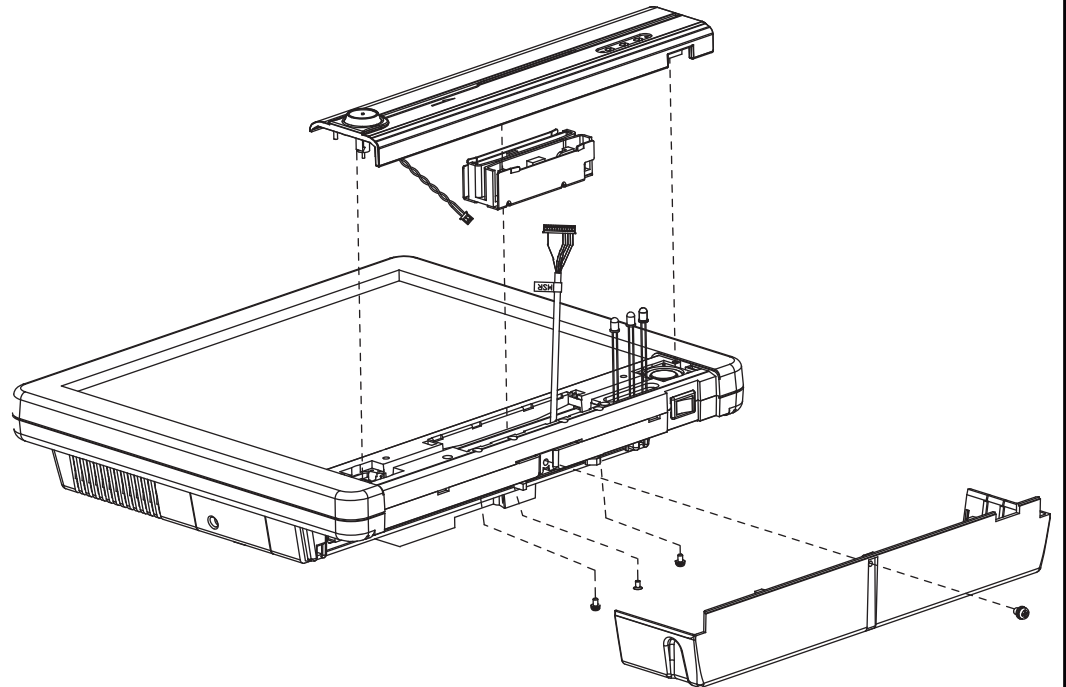
Easy Maintenance

Laser Scanner / Headset Maintenance

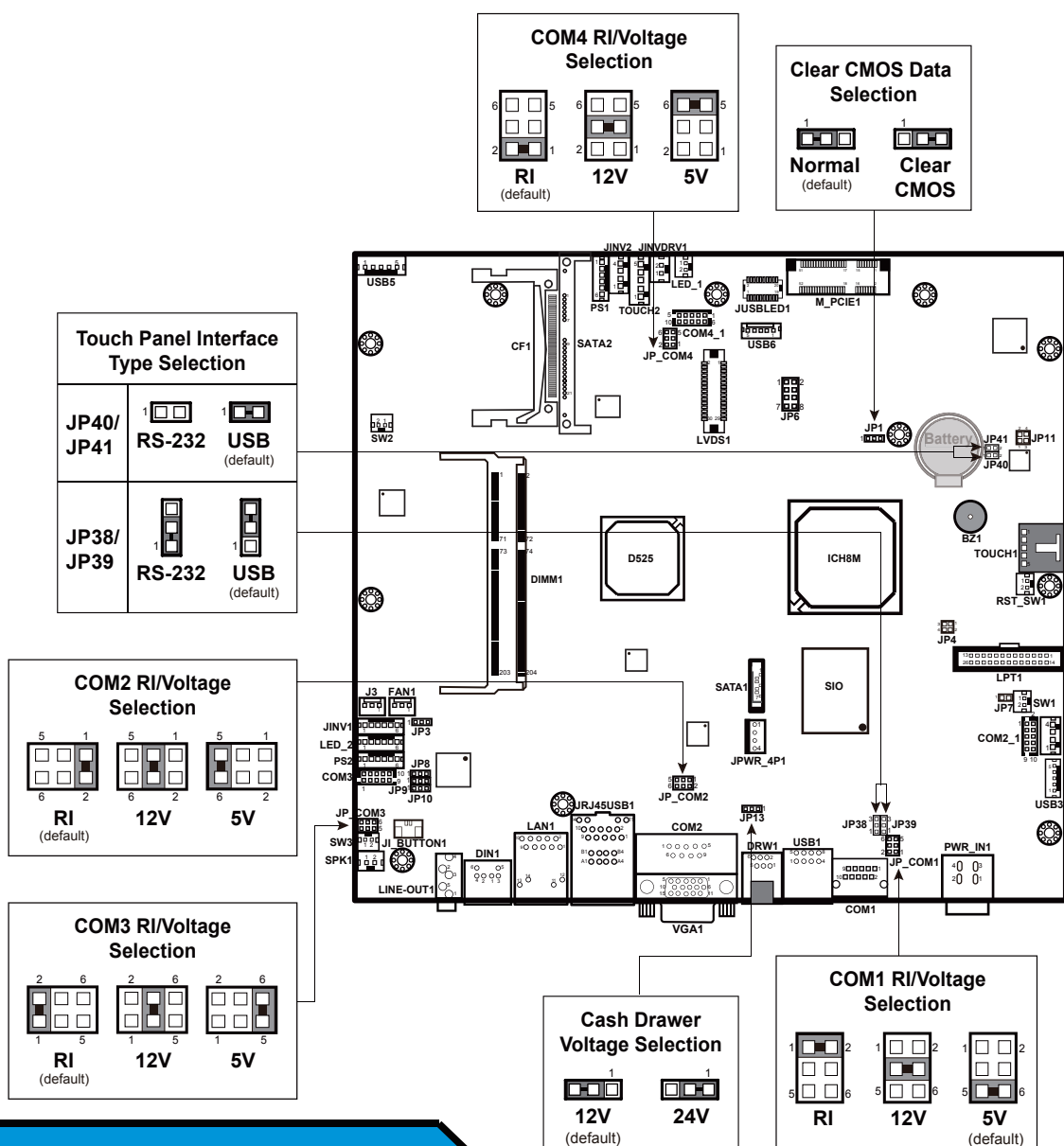


Accessories Installation

MSR Maintenance



Jumper Setting



Safety Precaution

The following messages are safety reminders on how to protect your systems from damages, and extending the life cycle of the system.

- Check the Line Voltage
 - Make sure the operating voltage range is between 100V and 240V AC; otherwise, the system could be damaged.
- Environmental Conditions
 - Place your POS-6510-MIT/PPC on a sturdy level surface. Be sure to allow enough space around the system to have easy access needs.
 - Avoid installing the system in extremely hot or cold places.
 - Avoid exposure to sunlight for a long period of time or in an airtight room.
 - Keep the system away from any heating device or avoid using it outdoors in a cold winter day.
 - Bear in mind the operating ambient temperature is between 0°C and 35°C (32°F~95°F).
 - Avoid moving the system rapidly from a hot place to a cold place, and vice versa because condensation may occur inside the system.
 - Operate POS-6510-MIT/PPC in strong vibration may cause hard disk failure.
 - Do not place the system closely to any radio-active device in case of signal interference.
 - Always shutdown the operating system before turning off the power.
- Handling
 - Avoid placing heavy objects on the top of the system.
 - Do not turn the system upside down to avoid the hard drive malfunctioning.
 - Do not allow any objects to fall into this product.
 - If water or any other liquid spills into this product, unplug the power cord immediately.
- Good Care
 - When the outside case gets stained, remove the stains with neutral washing agent and a dry cloth.
 - Never use strong agents such as benzene or thinner to clean the surface of the case.
 - If there are heavy stains, moisten a cloth with diluted neutral washing agent or alcohol and then wipe thoroughly with a dry cloth.
 - If dust is accumulated on the case surface, remove it with a special vacuum cleaner for computers.
 - Do not replace the motherboard battery by yourself, or serious damages may occur.

CAUTION! Danger of explosion if battery is incorrectly replaced. Replace only with the same or equivalent type recommended by the manufacturer. Dispose of used batteries according to the manufacturer's instructions.

WARNING! Some internal parts of the system may have high electrical voltage. Therefore we strongly recommend qualified engineers open and disassemble the system. The LCD and Touchscreen are easily breakable; please handle them with extra care.

POS-6510

Quick Reference Guide



Manual ver P2

All Rights Reserved. Copyright 2014

Packing Checklist

If you discover any item below was damaged or lost, please contact your vendor.

- POS-6510 X 1
- This Quick Reference Guide X 1
- AC Power Cord (Optional) X 1
- Driver CD X 1
- MSR Card Reader (Optional) X 1
- i-Button + MSR Card Reader (Optional) X 1
- Wireless LAN (IEEE 802.11 b+g) (Optional) X 1
- VFD (Optional) X 1

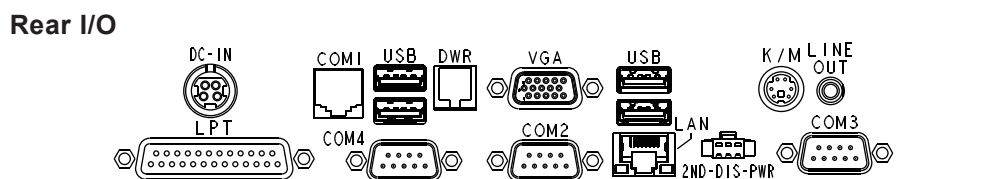
Specifications

System	
CPU Support	Intel® Atom® D525 1.8G
Core logic	Intel® ICH8M
Memory	1 x DDRIII SO-DIMM slot, up to 4GB
HDD	1 x 2.5" serial ATA Hard Disk
CF	1 x Compact Flash slot for CF type I/II storage
Network	1 x Giga LAN Base-T Fast Ethernet
Power Supply	120W power adapter
Speaker	1 x 2W
System Weight	11kg
Dimension (WxHxD)	365 x 363 x 303 mm

Display	
LCD	15" TFT LCD/24bit, 250nits, 1024 x 768 resolution
TouchTouch Screen	Resistive or Capacitive
Viewing Angle	0 ~ 60 degree

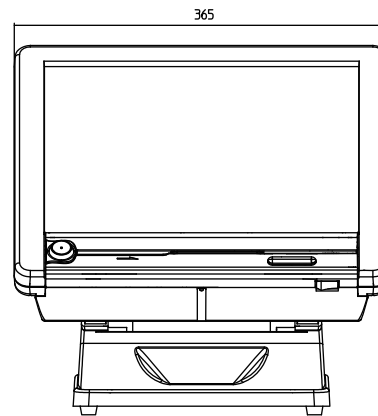
Environment	
Operating Temp.	0 °C ~ 35 °C
Storage Temp.	-20 °C ~ 60 °C
Humidity	20% ~ 90%

I/O Ports	
USB	4 on rear I/O port, 1 on the left side of back cover
Keyboard/Mouse	1 x PS/2 ports (default: Keyboard)
Serial Ports	1 x RJ-45 (COM1), 3 x DB-9 (COM 2&3&4)
Audio	Line-out
VGA	1 x DB-15 VGA Interfacer
Cash Drawer	1 x RJ-11 port, 12/24V selectable

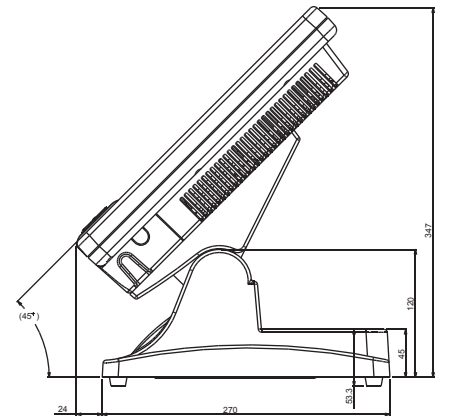


System View

Front View



Side View

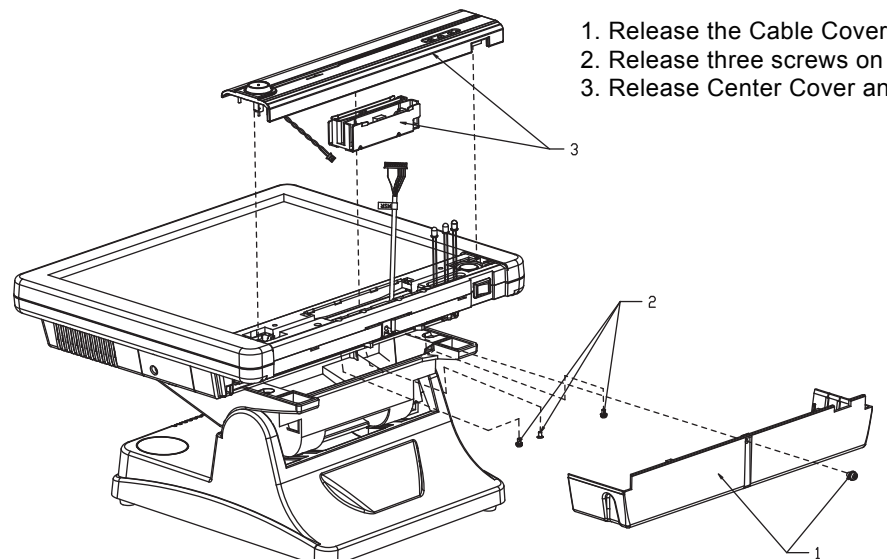


Unit: mm

Easy Maintenance

MSR Maintenance

1. Release the Cable Cover
2. Release three screws on the back
3. Release Center Cover and MSR

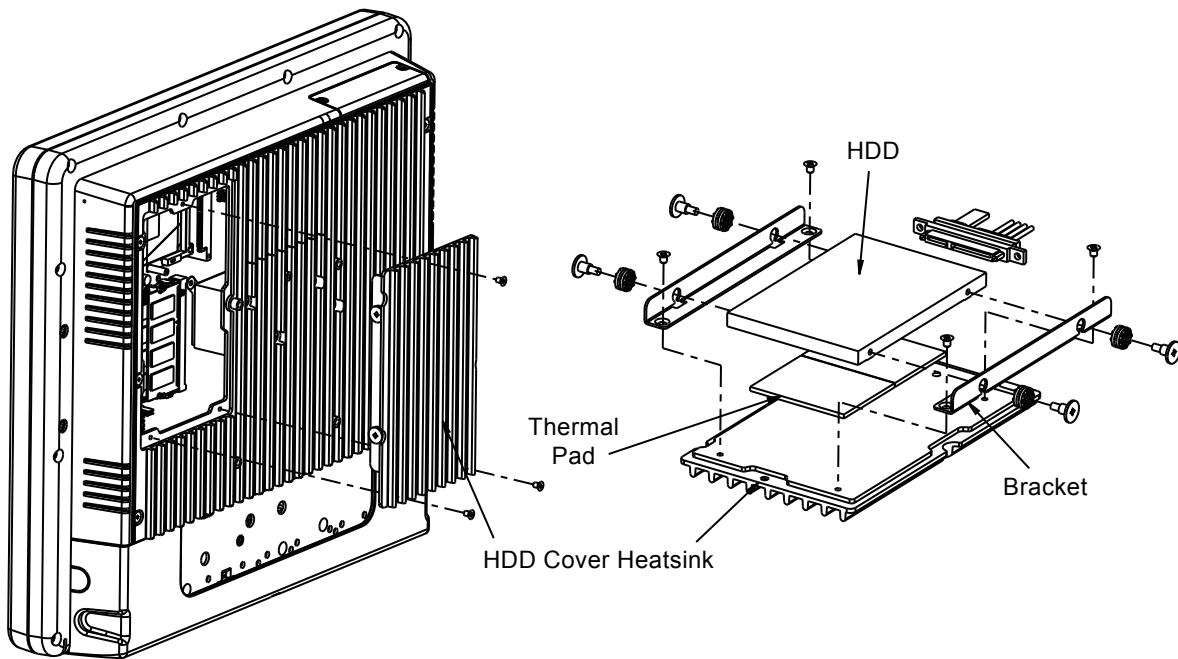


POS-6510

15" Fanless POS Terminal with Intel® Atom® Pineview Platform

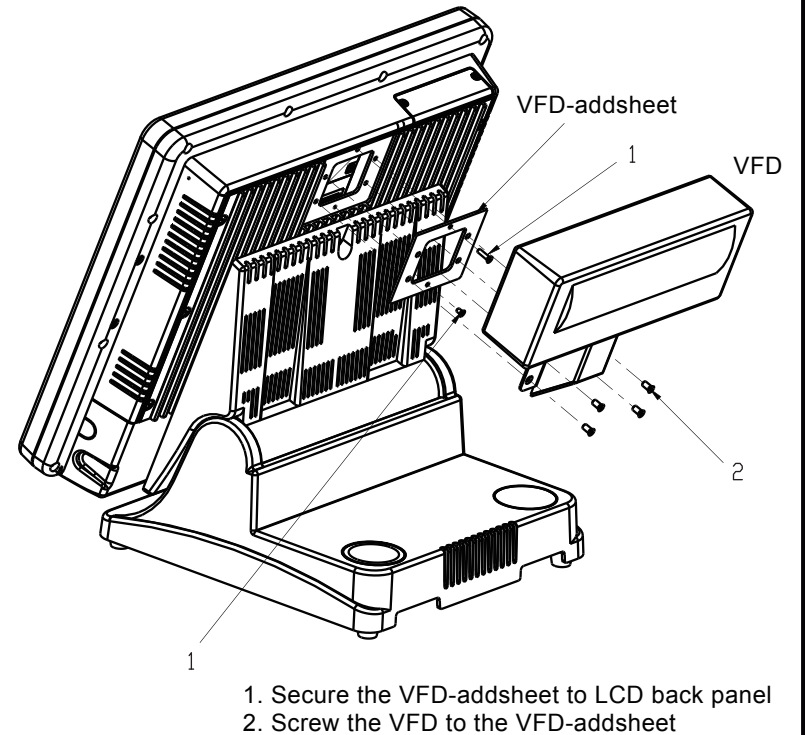
Easy Maintenance

HDD Maintenance

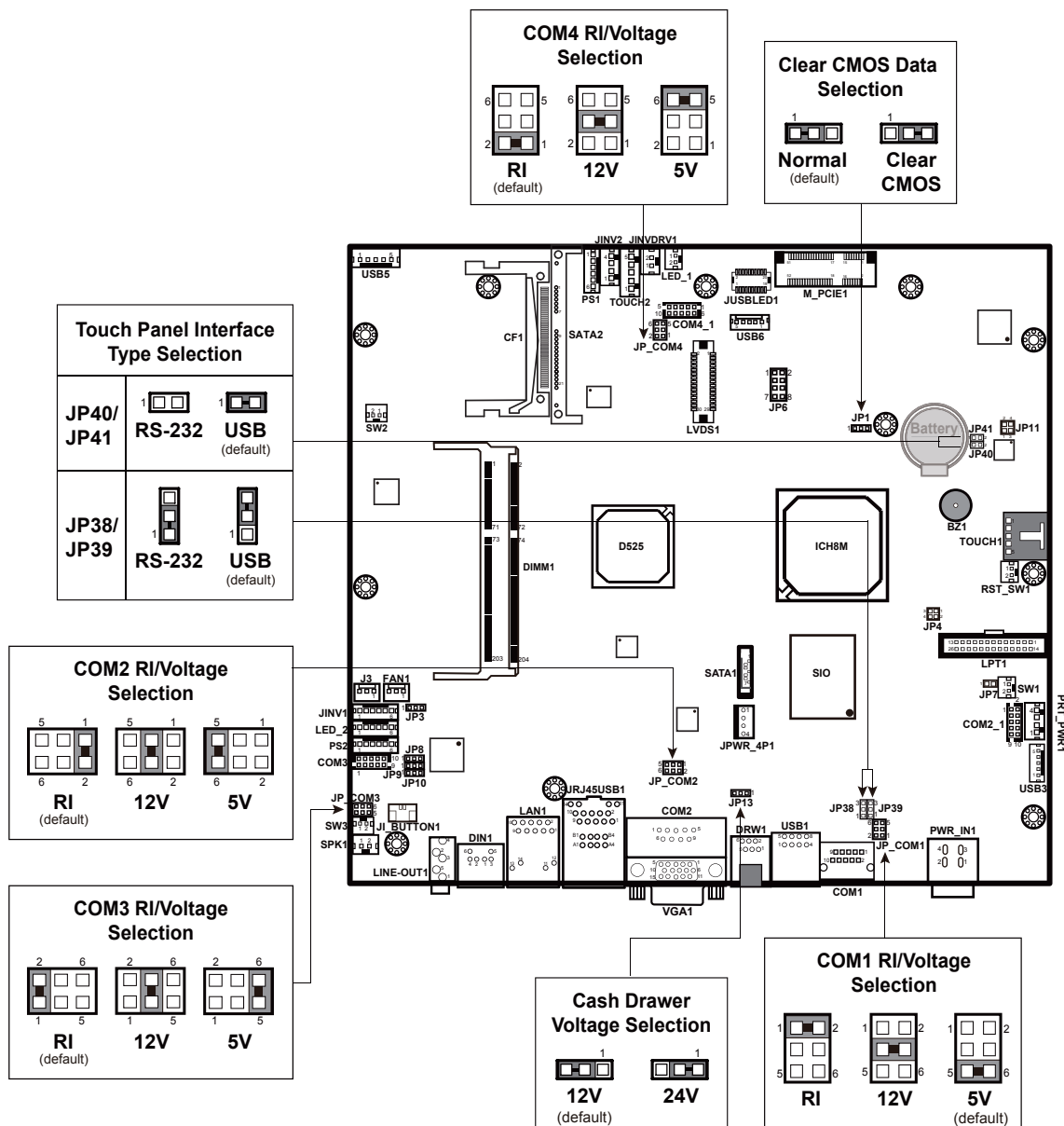


Accessories Installation

VFD Installation



Jumper Setting



Safety Precaution

The following messages are safety reminders on how to protect your systems from damages, and extending the life cycle of the system.

1. Check the Line Voltage

- Make sure the operating voltage range is between 100V and 240V AC; otherwise, the system could be damaged.

2. Environmental Conditions

- Place your POS-6510 on a sturdy, level surface. Be sure to allow enough space around the system to have easy access needs.
- Avoid installing the system in extremely hot or cold places.
- Avoid exposure to sunlight for a long period of time or in an airtight room.
- Also, avoid the system from any heating device or using the POS-6510 when it has been left outdoors in a cold winter day.
- Bear in mind that the operating ambient temperature is between 0 ~ 35°C (32~ 95°F).
- Avoid moving the system rapidly from a hot place to a cold place, and vice versa, because condensation may occur inside the system.
- Operate the POS-6510 in strong vibration may cause hard disk failure.
- Do not place the system too close to any radio-active device. Radio-active device may cause signal interference.
- Always shutdown the operating system before turning off the power.

3. Handling

- Avoid placing heavy objects on the top of the system.
- Do not turn the system upside down. This may cause the hard drive to malfunction.
- Do not allow any objects to fall into this product.
- If water or other liquid spills into this product, unplug the power cord immediately.

4. Good Care

- When the outside case gets stained, remove the stains using neutral washing agent with a dry cloth.
- Never use strong agents such as benzene and thinner to clean the surface of the case.
- If heavy stains are present, moisten a cloth with diluted neutral washing agent or alcohol and then wipe thoroughly with a dry cloth.
- If dust is accumulated on the case surface, remove it using a special vacuum cleaner for computers.
- Do not replace the motherboard battery by yourself, or serious damage may occur.

CAUTION! Danger of explosion if battery is incorrectly replaced. Replace only with the same or equivalent type recommended by the manufacturer. Dispose of used batteries according to the manufacturer's instructions.

WARNING! Some internal parts of the system may have high electrical voltage. Therefore we strongly recommend qualified engineers open and disassemble the system. The LCD and touch screen are easily breakable; please handle them with extra care.

POS-6510

Quick Reference Guide



Manual ver Q3

All Rights Reserved. Copyright 2014

Packing Checklist

If you discover any item below was damaged or lost, please contact your vendor.

- POS-6510 X 1
- This Quick Reference Guide X 1
- AC Power Cord (Optional) X 1
- Driver CD X 1
- MSR Card Reader (Optional) X 1
- i-Button + MSR Card Reader (Optional) X 1
- Wireless LAN (IEEE 802.11 b+g) (Optional) X 1
- VFD (Optional) X 1

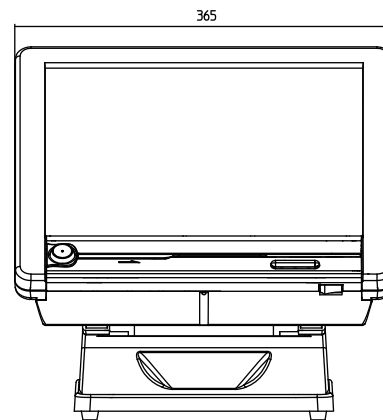
Specifications

System	
CPU Support	Intel® Atom® D525 1.8G
Core logic	Intel® ICH8M
Memory	1 x DDRIII SO-DIMM slot, up to 4GB
HDD	1 x 2.5" serial ATA Hard Disk
CF	1 x Compact Flash slot for CF type I/II storage
Network	1 x Giga LAN Base-T Fast Ethernet
Power Supply	120W power adapter
Speaker	1 x 2W
System Weight	11kg
Dimension (WxHxD)	365 x 363 x 303 mm
I/O Ports	
USB	4 on rear I/O port, 1 on the left side of back cover
Keyboard/Mouse	1 x PS/2 ports (default: Keyboard)
Serial Ports	1 x RJ-45 (COM1), 2 x DB-9 (COM 2&3) 1 x wafer for Back-VFD (COM4)
Audio	Line-out
VGA	1 x DB-15 VGA Interfacer
Cash Drawer	1 x RJ-11 port, 12/24V selectable
Display	
LCD	15" TFT LCD/24bit, 250nits, 1024 x 768 resolution
TouchTouch Screen	Resistive or Capacitive
Viewing Angle	0 ~ 60 degree
Environment	
Operating Temp.	0 °C ~ 35 °C
Storage Temp.	-20 °C ~ 60 °C
Humidity	20% ~ 90%

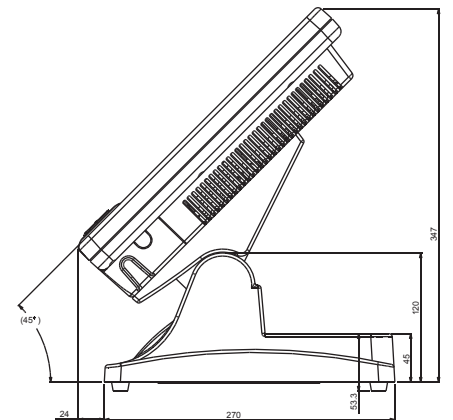
System View

POS-6510

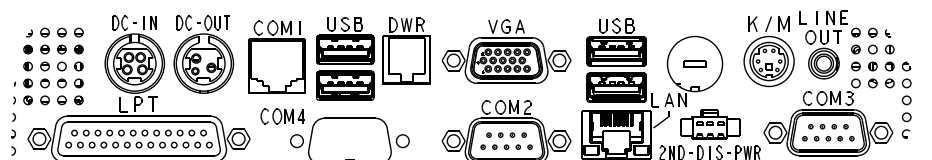
Front View



Side View



I/O View



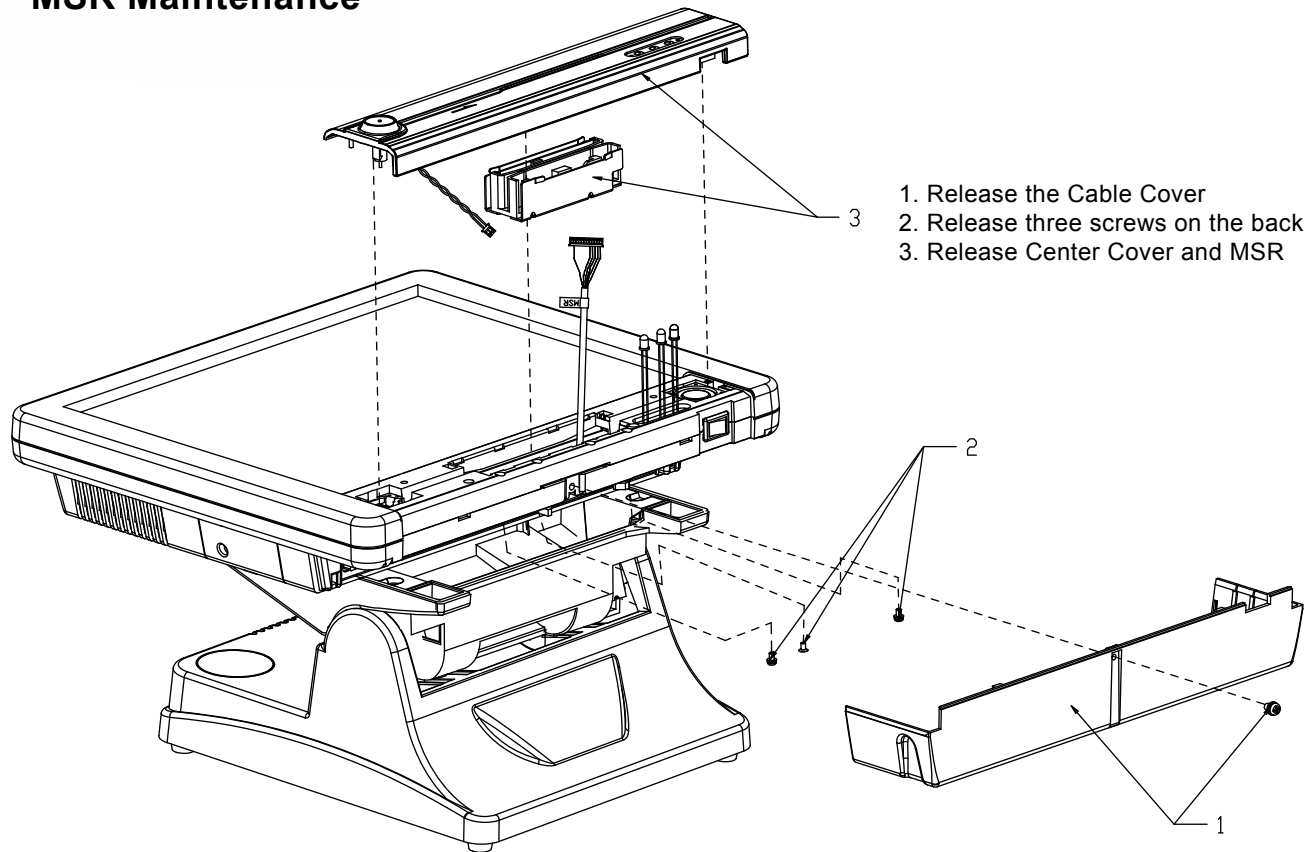
Unit: mm

POS-6510

15" Fanless POS Terminal with Intel® Atom™ Pineview Platform

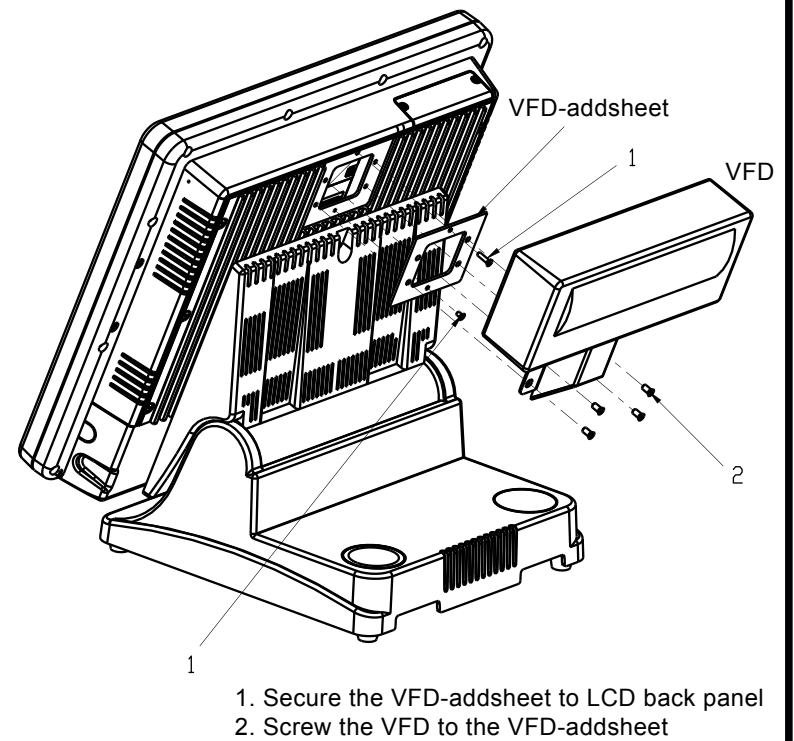
Easy Maintenance

MSR Maintenance

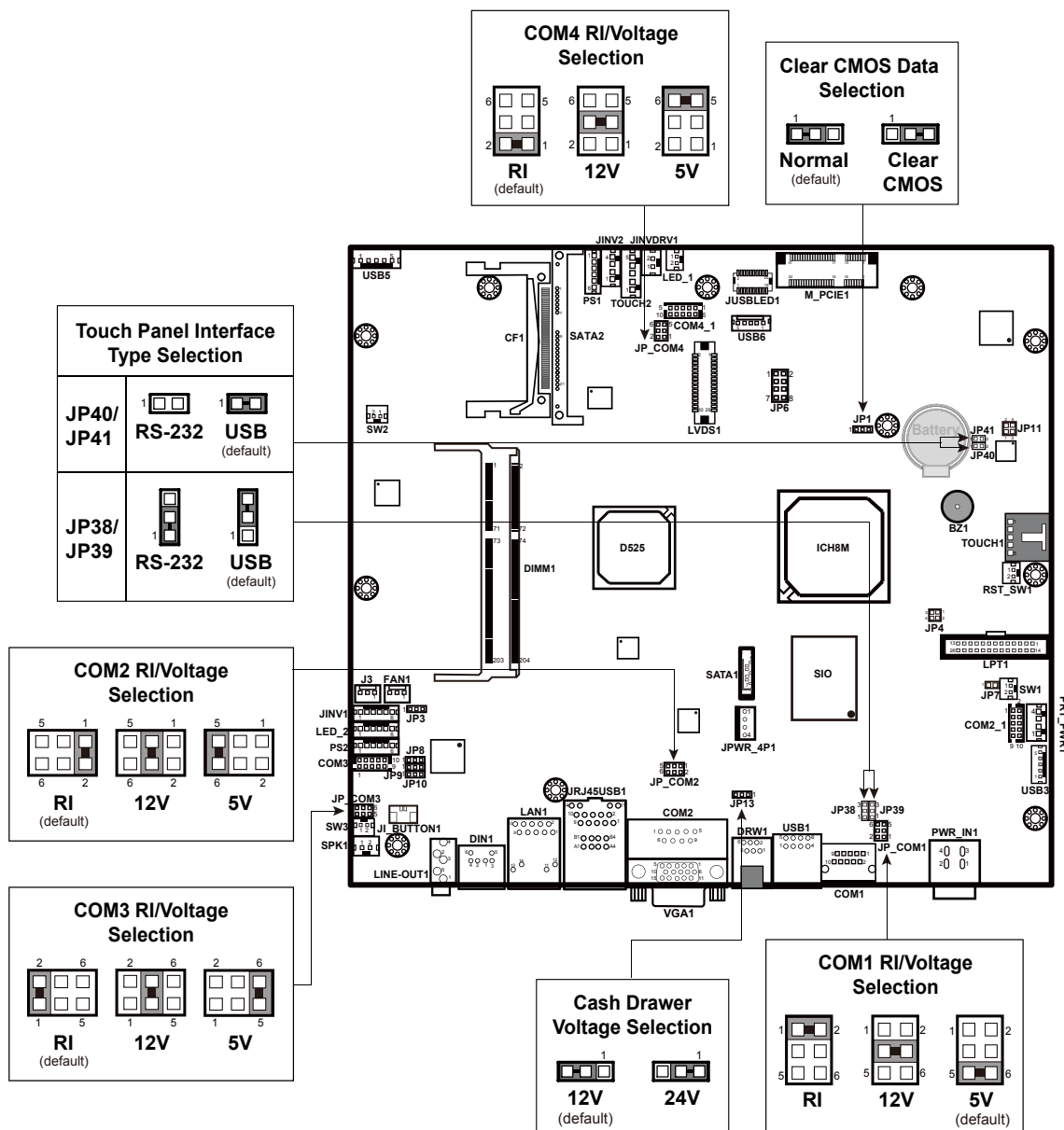


Accessories Installation

VFD Installation



Jumper Setting



Safety Precaution

The following messages are safety reminders on how to protect your systems from damages, and extending the life cycle of the system.

1. Check the Line Voltage

- Make sure the operating voltage range is between 100V and 240V AC; otherwise, the system could be damaged.

2. Environmental Conditions

- Place your POS-6510 on a sturdy, level surface. Be sure to allow enough space around the system to have easy access needs.
- Avoid installing the system in extremely hot or cold places.
- Avoid exposure to sunlight for a long period of time or in an airtight room.
- Also, avoid the system from any heating device or using the POS-6510 when it has been left outdoors in a cold winter day.
- Bear in mind that the operating ambient temperature is between 0 ~ 35°C (32~ 95°F).
- Avoid moving the system rapidly from a hot place to a cold place, and vice versa, because condensation may occur inside the system.
- Operate the POS-6510 in strong vibration may cause hard disk failure.
- Do not place the system too close to any radio-active device. Radio-active device may cause signal interference.
- Always shutdown the operating system before turning off the power.

3. Handling

- Avoid placing heavy objects on the top of the system.
- Do not turn the system upside down. This may cause the hard drive to malfunction.
- Do not allow any objects to fall into this product.
- If water or other liquid spills into this product, unplug the power cord immediately.

4. Good Care

- When the outside case gets stained, remove the stains using neutral washing agent with a dry cloth.
- Never use strong agents such as benzene and thinner to clean the surface of the case.
- If heavy stains are present, moisten a cloth with diluted neutral washing agent or alcohol and then wipe thoroughly with a dry cloth.
- If dust is accumulated on the case surface, remove it using a special vacuum cleaner for computers.
- Do not replace the motherboard battery by yourself, or serious damage may occur.

CAUTION! Danger of explosion if battery is incorrectly replaced. Replace only with the same or equivalent type recommended by the manufacturer. Dispose of used batteries according to the manufacturer's instructions.

WARNING! Some internal parts of the system may have high electrical voltage. Therefore we strongly recommend qualified engineers open and disassemble the system. The LCD and touch screen are easily breakable; please handle them with extra care.