

POS-6511

Quick Reference Guide



Ver. Q1

All Right Reserved Copyright 2012

Packing Checklist

If you discover any item below is damaged or lost, please contact your vendor.

- | | |
|--|-----|
| <input checked="" type="checkbox"/> POS-6511 | X 1 |
| <input checked="" type="checkbox"/> This Quick Reference Guide | X 1 |
| <input type="checkbox"/> AC Power Cord (Optional) | X 1 |
| <input checked="" type="checkbox"/> Driver CD | X 1 |
| <input type="checkbox"/> MSR Card Reader (Optional) | X 1 |
| <input type="checkbox"/> i-Button + MSR Card Reader (Optional) | X 1 |
| <input type="checkbox"/> Wireless LAN (IEEE 802.11 b/g) (Optional) | X 1 |
| <input type="checkbox"/> CF (Optional) | X 1 |
| <input type="checkbox"/> VFD (Optional) | X 1 |

Specifications

System

CPU Type	Intel® Celeron B810, 1.6 GHz Intel® Core i3-2330E, 2.2 GHz
Core Logic Chipset	Intel® HM65 Express Chipset
Memory	1 x 204-pin DDR3 SO-DIMM, up to 4 GB
HDD	1 x 2.5" SATA HDD
SSD	Over or equal to 16 GB
CF	1 x Compact Flash slot for CF type I/II storage
Network	1 x Giga LAN Base-T Fast Ethernet
Power Supply	72~120W power adapter
System Weight	9.5 kg
Dimension (WxHxD)	365 x 363 x 297 mm (14.37" x 14.29" x 11.69")
O.S. Support	Windows 7/ XP/ POSReady 7/ POSReady 2009

I/O Ports

USB Ports	4 x USB 2.0 port, 1 x USB 2.0 port on side bezel
Serial Ports	3 x DB-9 (COM1/2/3), 1 x RJ45 (COM4)
Parallel Port	1 x parallel port (SPP/EPP/ECP)
Keyboard/Mouse	1 x PS/2 port
LAN	1 x 10/100/1000 Mbps
Audio	1 x Line-out
VGA	1 x DB-15 VGA interface
Cash Drawer	1 x RJ11 port, 12/24V selectable

Display

LCD	15" TFT LCD, Max. resolution 1024 x 768
Touch Screen	5-wire analog resistive
Viewing Angle	0 ~ 70 degree

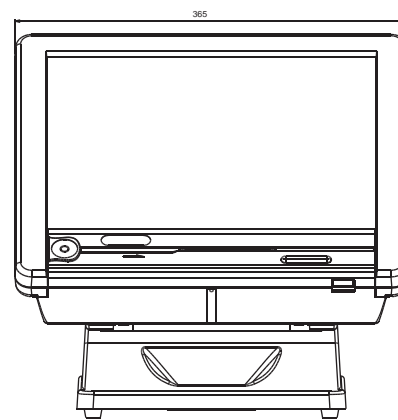
Environment

Operating Temp.	0 °C ~ 35 °C
Storage Temp.	-20 °C ~ 60 °C
Humidity	20% ~ 90%

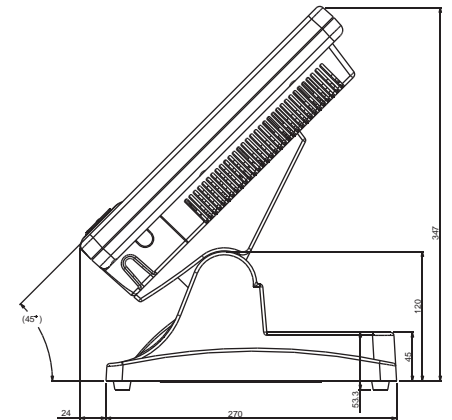
System View

POS-6511

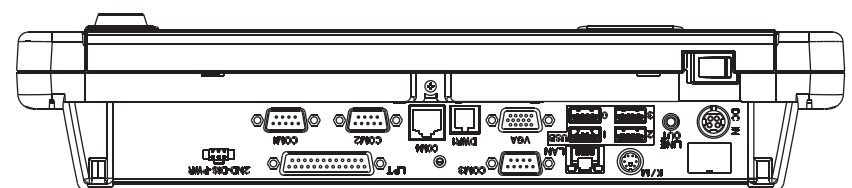
Front View



Side View



I/O View



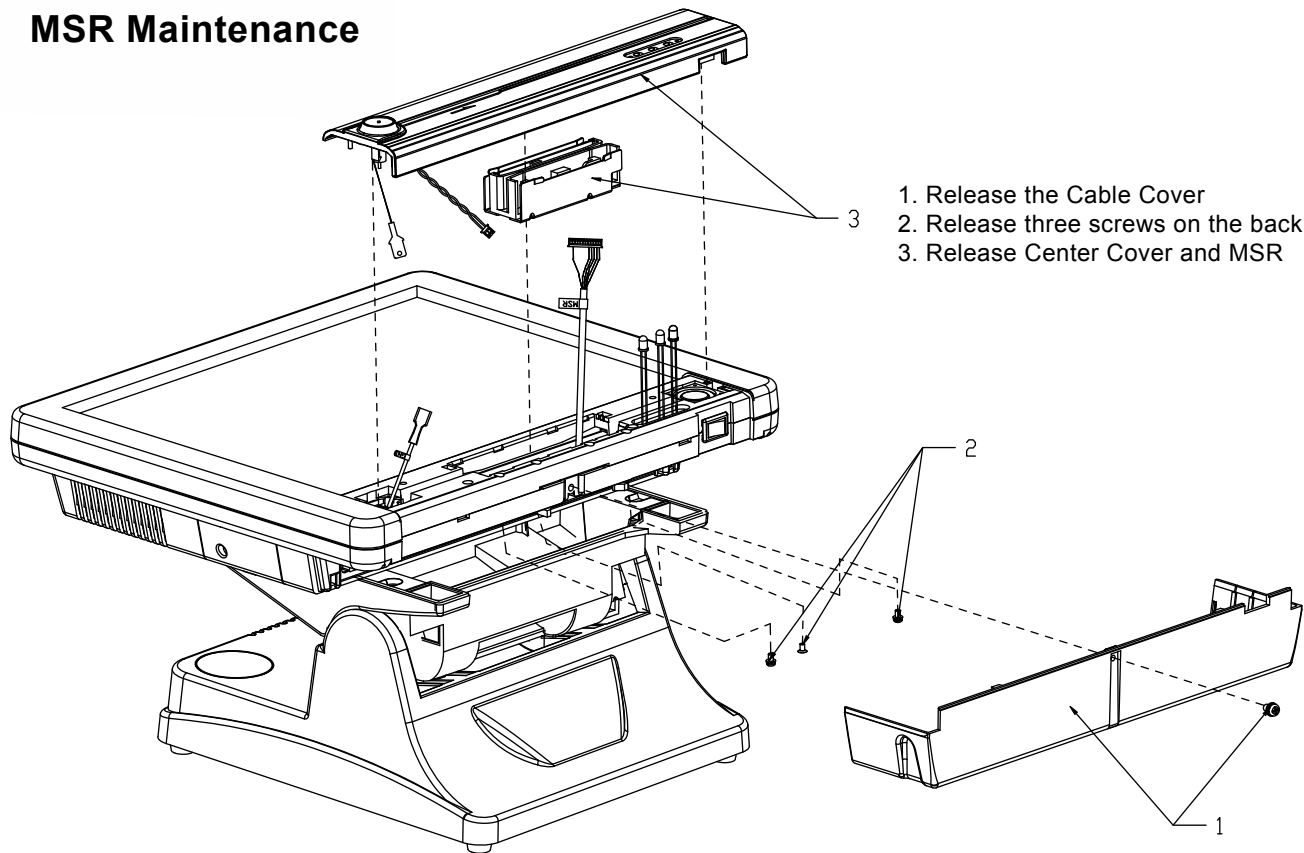
Unit: mm

POS-6511

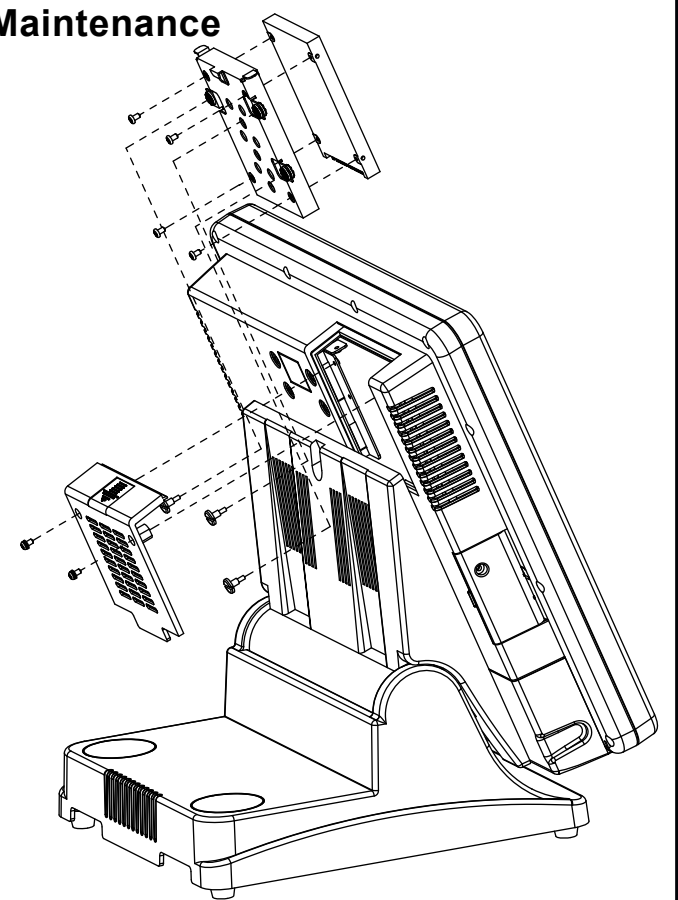
Sandy Bridge High Performance 15" POS Terminal

Easy Maintenance

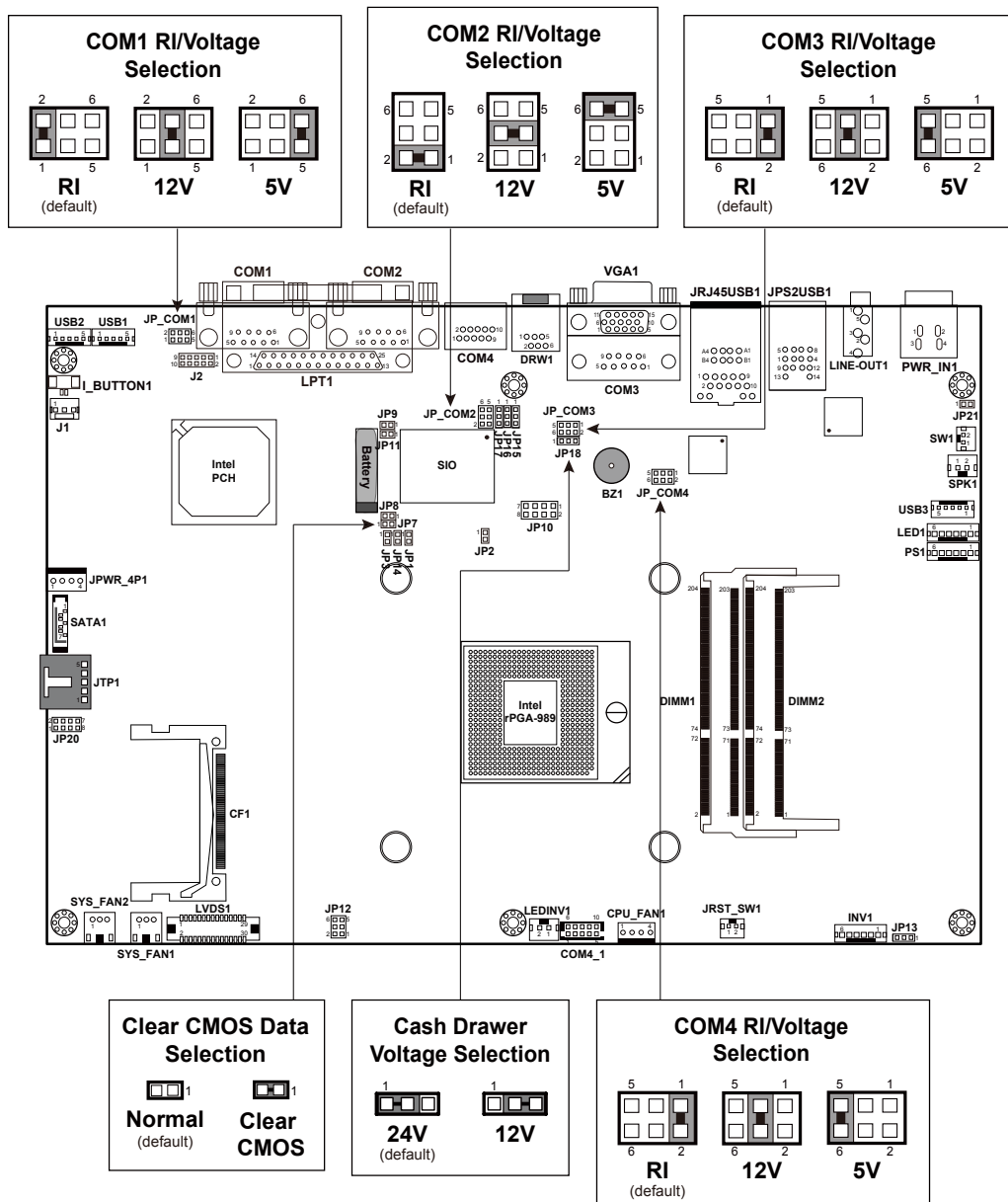
MSR Maintenance



HDD Maintenance



Jumper Setting



Safety Precaution

The following messages are safety reminders on how to protect your systems from damages, and extending the life cycle of the system.

1. Check the Line Voltage

- Make sure the operating voltage range is between 100V and 240V AC; otherwise, the system could be damaged.

2. Environmental Conditions

- Place your POS-6511 on a sturdy, level surface. Be sure to allow enough space around the system to have easy access needs.
- Avoid installing the system in extremely hot or cold places.
- Avoid exposure to sunlight for a long period of time or in an airtight room.
- Also, avoid the system from any heating device or using the POS-6511 when it has been left outdoors in a cold winter day.
- Bear in mind that the operating ambient temperature is between 0°C and 35°C (32°F~ 95°F).
- Avoid moving the system rapidly from a hot place to a cold place, and vice versa, because condensation may occur inside the system.
- Operate the POS-6511 in strong vibration may cause hard disk failure.
- Do not place the system too close to any radio-active device. Radio-active device may cause signal interference.
- Always shutdown the operating system before turning off the power.

3. Handling

- Avoid placing heavy objects on the top of the system.
- Do not turn the system upside down. This may cause the hard drive to malfunction.
- Do not allow any objects to fall into this product.
- If water or other liquid spills into this product, unplug the power cord immediately.

4. Good Care

- When the outside case gets stained, remove the stains using neutral washing agent with a dry cloth.
- Never use strong agents such as benzene and thinner to clean the surface of the case.
- If heavy stains are present, moisten a cloth with diluted neutral washing agent or alcohol and then wipe thoroughly with a dry cloth.
- If dust is accumulated on the case surface, remove it using a special vacuum cleaner for computers.
- Do not replace the motherboard battery by yourself, or serious damage may occur.

CAUTION! Danger of explosion if battery is incorrectly replaced. Replace only with the same or equivalent type recommended by the manufacturer. Dispose of used batteries according to the manufacturer's instructions.

WARNING! Some internal parts of the system may have high electrical voltage. And therefore we strongly recommend that qualified engineers can open and disassemble the system. The LCD and Touchscreen are easily breakable, please handle them with extra care.

POS-6511

Quick Reference Guide



Ver. P2

All Rights Reserved. Copyright 2014

Packing Checklist

If you discover any item below was damaged or lost, please contact your vendor.

- | | |
|--|-----|
| <input checked="" type="checkbox"/> POS-6511 | X 1 |
| <input checked="" type="checkbox"/> This Quick Reference Guide | X 1 |
| <input checked="" type="checkbox"/> AC Power Cord | X 1 |
| <input checked="" type="checkbox"/> Driver CD | X 1 |
| <input type="checkbox"/> MSR Card Reader (Optional) | X 1 |
| <input type="checkbox"/> i-Button + MSR Card Reader (Optional) | X 1 |
| <input type="checkbox"/> Wireless LAN (IEEE 802.11 b/g) (Optional) | X 1 |
| <input type="checkbox"/> CF (Optional) | X 1 |
| <input type="checkbox"/> VFD (Optional) | X 1 |

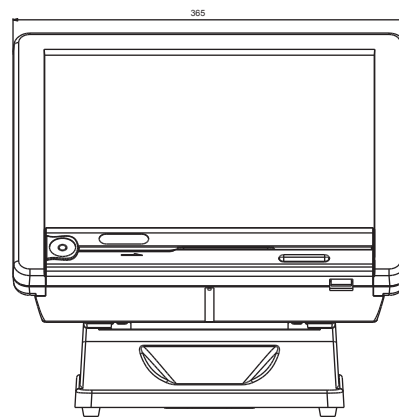
Specifications

System	
CPU Type	Intel® Pentium® Processor B940 (2M Cache, 2.00 GHz)
Core Logic Chipset	Intel® HM65 Express Chipset
Memory	1 x 204-pin DDR3 SO-DIMM, up to 4 GB
HDD	1 x 2.5" SATA HDD
SSD	Over or equal to 16 GB
CF	1 x Compact Flash slot for CF type I/II storage
Network	1 x Giga LAN Base-T Fast Ethernet
Power Supply	120W power adapter
System Weight	9.5 kg
Dimension (WxHxD)	365 x 363 x 297 mm (14.37" x 14.29" x 11.69")
O.S. Support	Windows 7 / XP ; POSReady 7 / POSReady 2009
I/O Ports	
USB Ports	4 x USB 2.0 port, 1 x USB 2.0 port on side bezel
Serial Ports	3 x DB-9 (COM1/2/3), 1 x RJ45 (COM4)
Parallel Port	1 x parallel port (SPP/EPP/ECP)
Keyboard/Mouse	1 x PS/2 port
LAN	1 x 10/100/1000 Mbps
Audio	1 x Line-out
VGA	1 x DB-15 VGA interface
Cash Drawer	1 x RJ11 port, 12/24V selectable
Display	
LCD	15" TFT LCD, Max. resolution 1024 x 768
Touch Screen	5-wire analog resistive
Viewing Angle	0 ~ 70 degree
Environment	
Operating Temp.	0 °C ~ 35 °C
Storage Temp.	-20 °C ~ 60 °C
Humidity	20% ~ 90%

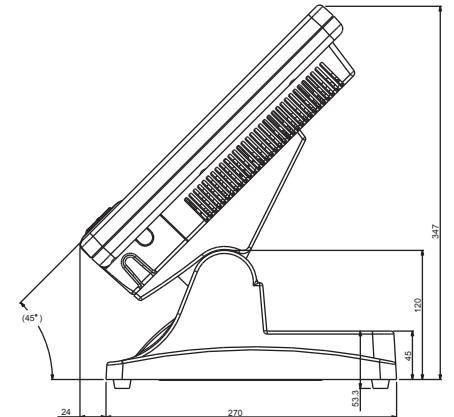
System View

POS-6511

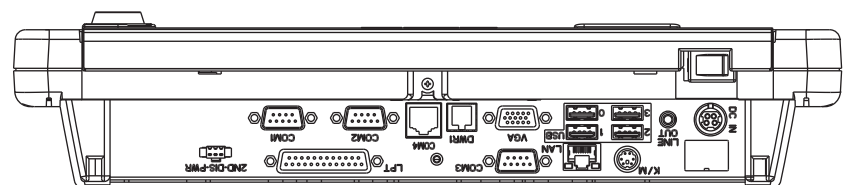
Front View



Side View



I/O View



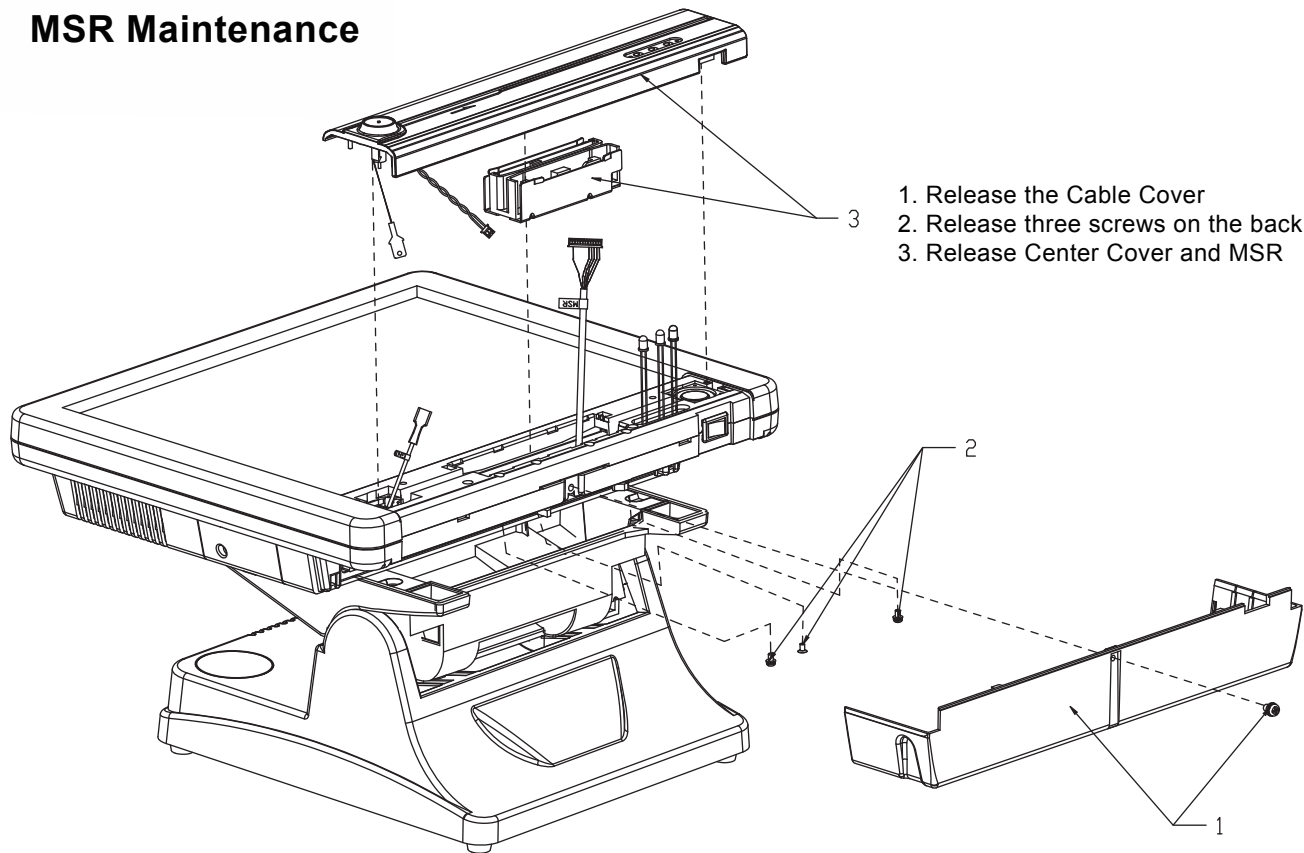
Unit: mm

POS-6511

Intel® 2nd Gen. Core™ High Performance 15" POS Terminal

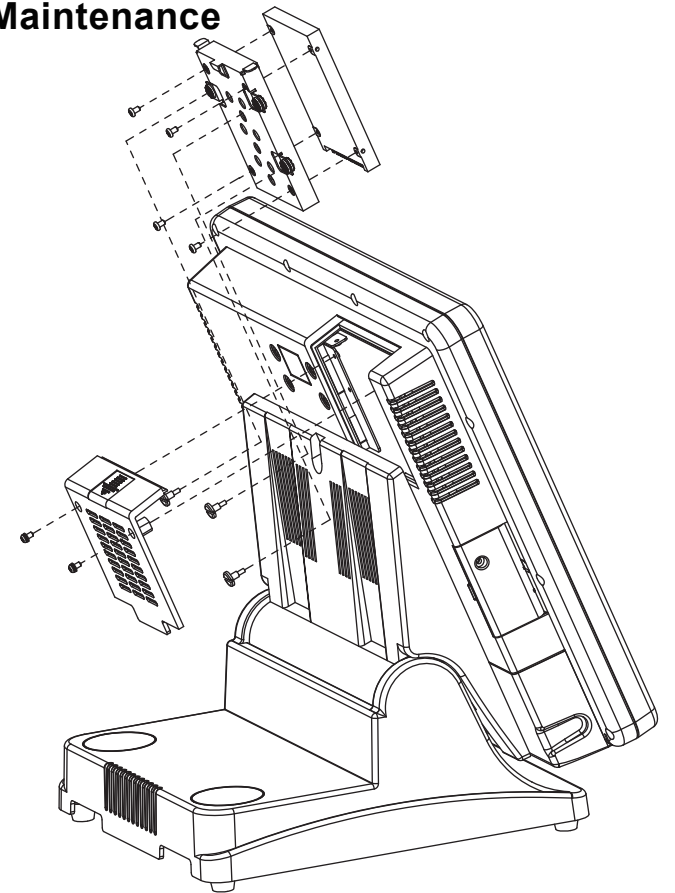
Easy Maintenance

MSR Maintenance

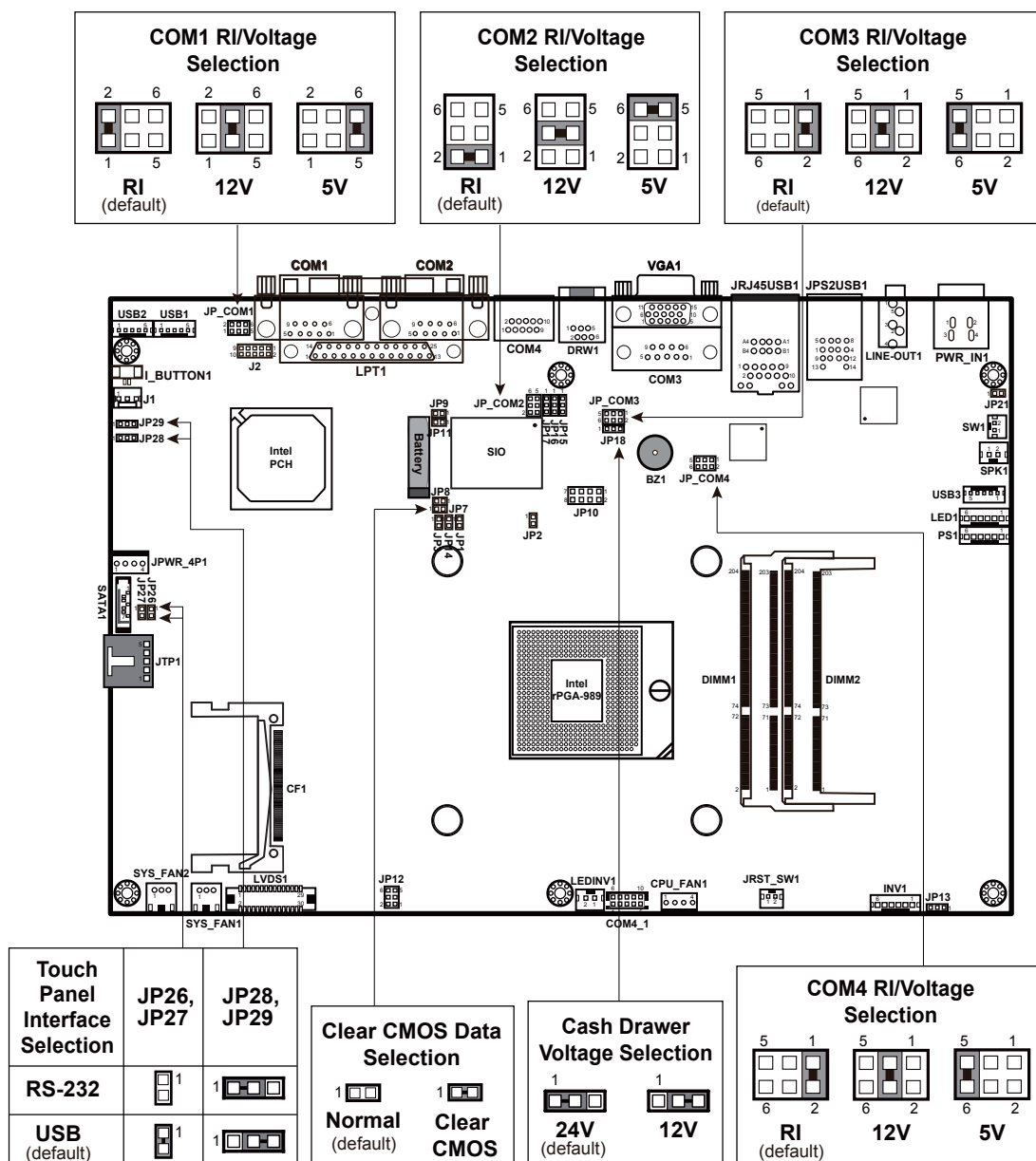


Accessories Installation

HDD Maintenance



Jumper Setting



Safety Precaution

The following messages are safety reminders on how to protect your systems from damages, and extending the life cycle of the system.

- 1. Check the Line Voltage**
 - Make sure the operating voltage range is between 100V and 240V AC; otherwise, the system could be damaged.
- 2. Environmental Conditions**
 - Place your POS-6511 on a sturdy, level surface. Be sure to allow enough space around the system to have easy access needs.
 - Avoid installing the system in extremely hot or cold places.
 - Avoid exposure to sunlight for a long period of time or in an airtight room.
 - Keep the system away from any heating device or avoid using it outdoors in a cold winter day.
 - Bear in mind that the operating ambient temperature is between 0°C and 35°C (32°F~ 95°F).
 - Avoid moving the system rapidly from a hot place to a cold place, and vice versa because condensation may occur inside the system.
 - Operate the POS-6511 in strong vibration may cause hard disk failure.
 - Do not place the system closely to any radio-active device in case of signal interference.
 - Always shutdown the operating system before turning off the power.
- 3. Handling**
 - Avoid placing heavy objects on the top of the system.
 - Do not turn the system upside down to avoid the hard drive malfunctioning.
 - Do not allow any objects to fall into this product.
 - If water or other liquid spills into this product, unplug the power cord immediately.
- 4. Good Care**
 - When the outside case gets stained, remove the stains with neutral washing agent and a dry cloth.
 - Never use strong agents such as benzene or thinner to clean the surface of the case.
 - If there are heavy stains, moisten a cloth with diluted neutral washing agent or alcohol and then wipe thoroughly with a dry cloth.
 - If dust is accumulated on the case surface, remove it with a special vacuum cleaner for computers.
 - Do not replace the motherboard battery by yourself, or serious damage may occur.

CAUTION! Danger of explosion if battery is incorrectly replaced. Replace only with the same or equivalent type recommended by the manufacturer. Dispose of used batteries according to the manufacturer's instructions.

WARNING! Some internal parts of the system may have high electrical voltage. Therefore we strongly recommend qualified engineers open and disassemble the system. The LCD and Touchscreen are easily breakable; please handle them with extra care.

POS-6511

Quick Reference Guide



Ver. Q2

All Rights Reserved. Copyright 2014

Packing Checklist

If you discover any item below is damaged or lost, please contact your vendor.

- POS-6511 X 1
- This Quick Reference Guide X 1
- AC Power Cord (Optional) X 1
- Driver CD X 1
- MSR Card Reader (Optional) X 1
- i-Button + MSR Card Reader (Optional) X 1
- Wireless LAN (IEEE 802.11 b/g) (Optional) X 1
- CF (Optional) X 1
- VFD (Optional) X 1

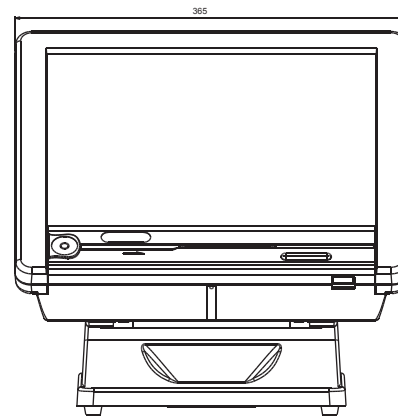
Specifications

System	
CPU Type	Intel® Celeron B810, 1.6 GHz Intel® Core i3-2330E, 2.2 GHz
Core Logic Chipset	Intel® HM65 Express Chipset
Memory	1 x 204-pin DDR3 SO-DIMM, up to 4 GB
HDD	1 x 2.5" SATA HDD
SSD	Over or equal to 16 GB
CF	1 x Compact Flash slot for CF type I/II storage
Network	1 x Giga LAN Base-T Fast Ethernet
Power Supply	72~120W power adapter
System Weight	9.5 kg
Dimension (WxHxD)	365 x 363 x 297 mm (14.37" x 14.29" x 11.69")
O.S. Support	Windows 7/ XP/ POSReady 7/ POSReady 2009
I/O Ports	
USB Ports	4 x USB 2.0 port, 1 x USB 2.0 port on side bezel
Serial Ports	3 x DB-9 (COM1/2/3), 1 x RJ45 (COM4)
Parallel Port	1 x parallel port (SPP/EPP/ECP)
Keyboard/Mouse	1 x PS/2 port
LAN	1 x 10/100/1000 Mbps
Audio	1 x Line-out
VGA	1 x DB-15 VGA interface
Cash Drawer	1 x RJ11 port, 12/24V selectable
Display	
LCD	15" TFT LCD, Max. resolution 1024 x 768
Touch Screen	5-wire analog resistive
Viewing Angle	0 ~ 70 degree
Environment	
Operating Temp.	0 °C ~ 35 °C
Storage Temp.	-20 °C ~ 60 °C
Humidity	20% ~ 90%

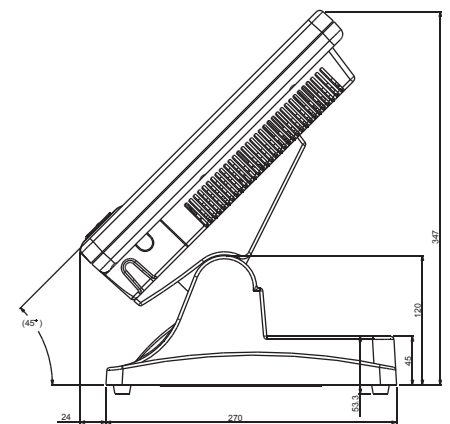
System View

POS-6511

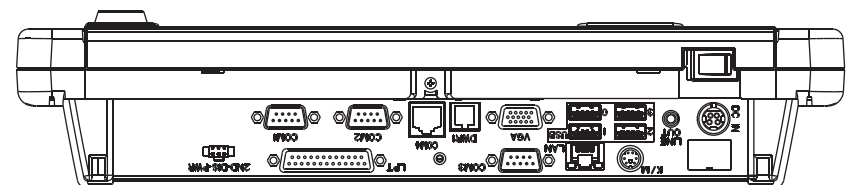
Front View



Side View



I/O View



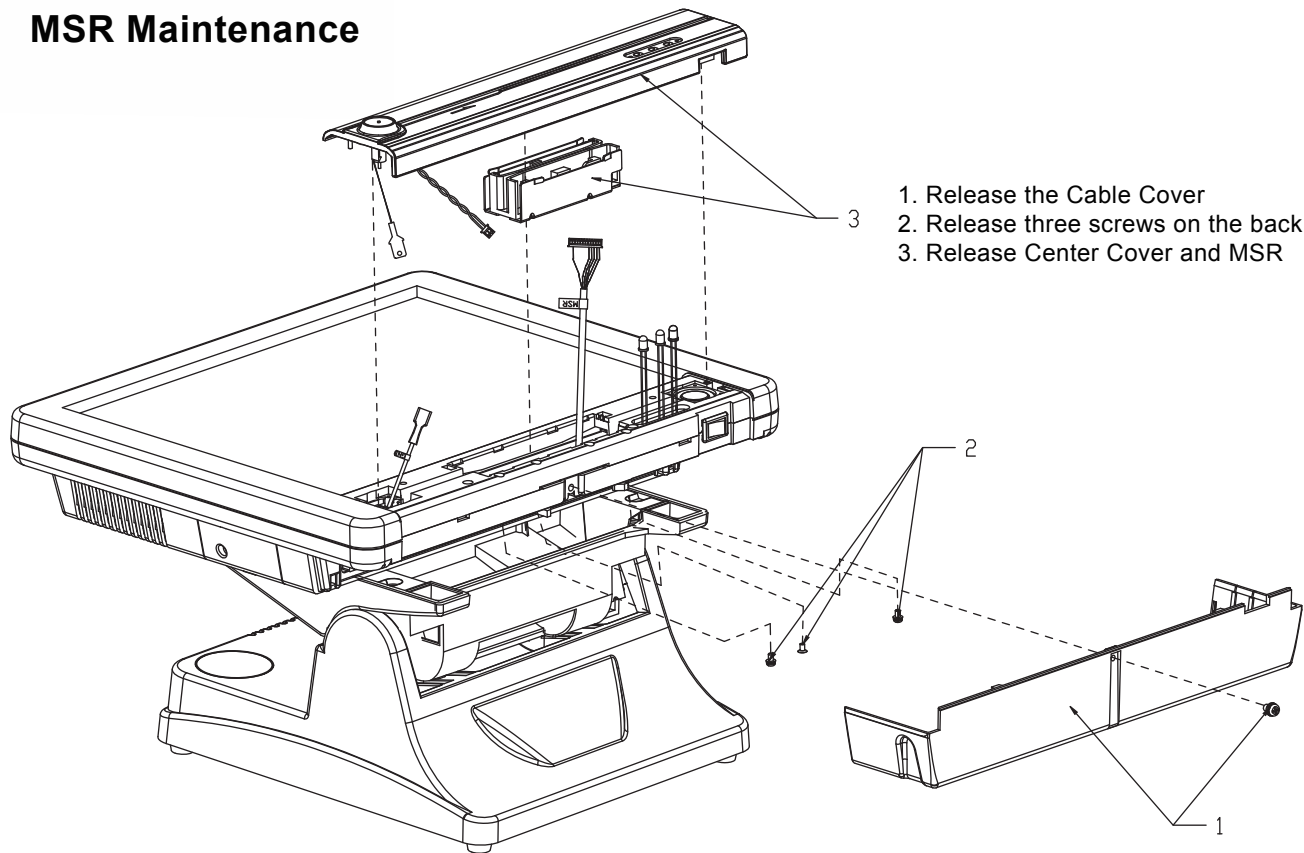
Unit: mm

POS-6511

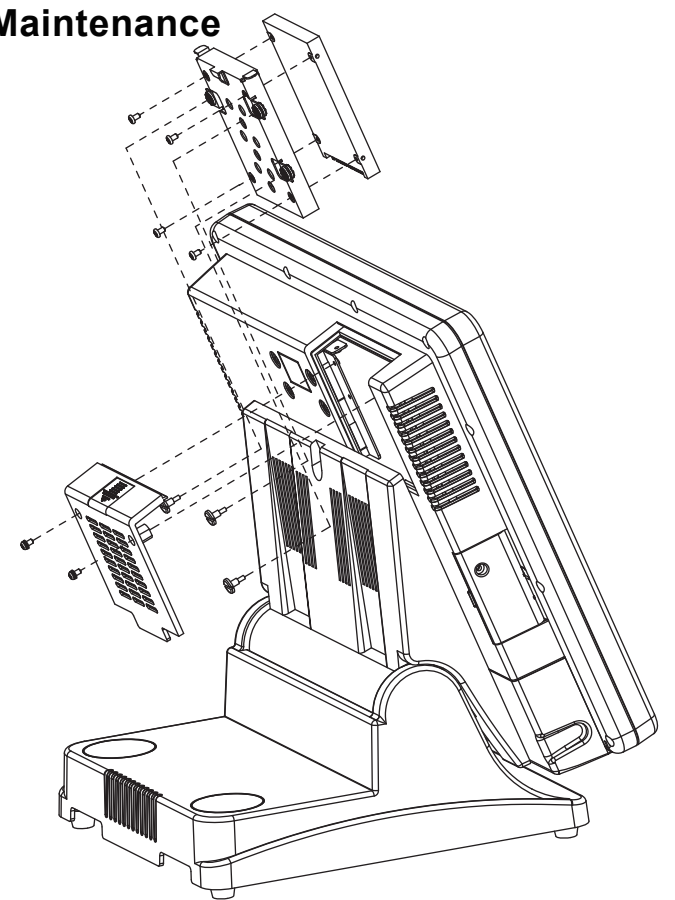
Intel® 2nd Gen. Core™ High Performance 15" POS Terminal

Easy Maintenance

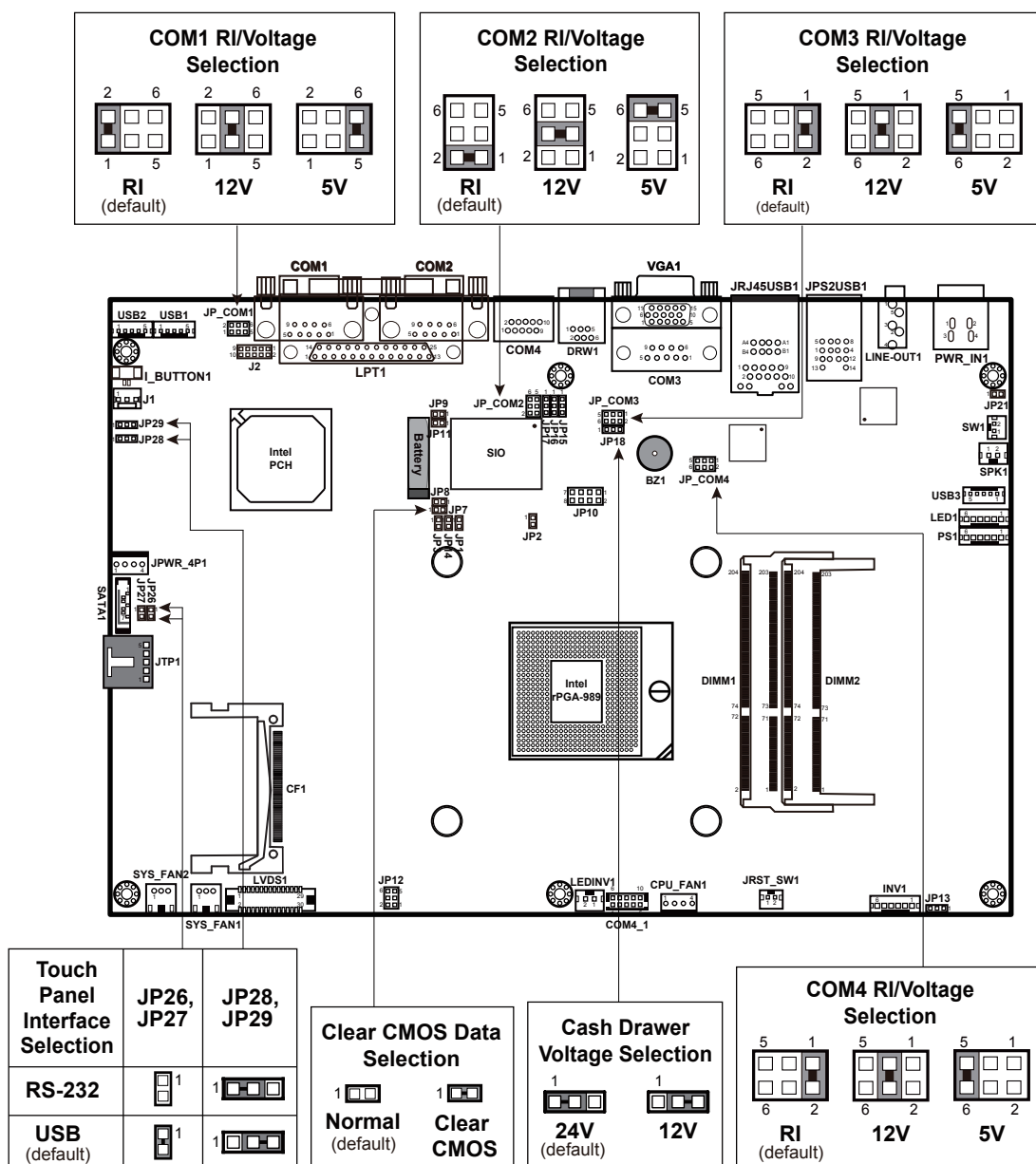
MSR Maintenance



HDD Maintenance



Jumper Setting



Safety Precaution

The following messages are safety reminders on how to protect your systems from damages, and extending the life cycle of the system.

1. Check the Line Voltage

- Make sure the operating voltage range is between 100V and 240V AC; otherwise, the system could be damaged.

2. Environmental Conditions

- Place your POS-6511 on a sturdy, level surface. Be sure to allow enough space around the system to have easy access needs.
- Avoid installing the system in extremely hot or cold places.
- Avoid exposure to sunlight for a long period of time or in an airtight room.
- Also, avoid the system from any heating device or using the POS-6511 when it has been left outdoors in a cold winter day.
- Bear in mind that the operating ambient temperature is between 0°C and 35°C (32°F~ 95°F).
- Avoid moving the system rapidly from a hot place to a cold place, and vice versa, because condensation may occur inside the system.
- Operate the POS-6511 in strong vibration may cause hard disk failure.
- Do not place the system too close to any radio-active device. Radio-active device may cause signal interference.
- Always shutdown the operating system before turning off the power.

3. Handling

- Avoid placing heavy objects on the top of the system.
- Do not turn the system upside down. This may cause the hard drive to malfunction.
- Do not allow any objects to fall into this product.
- If water or other liquid spills into this product, unplug the power cord immediately.

4. Good Care

- When the outside case gets stained, remove the stains using neutral washing agent with a dry cloth.
- Never use strong agents such as benzene and thinner to clean the surface of the case.
- If heavy stains are present, moisten a cloth with diluted neutral washing agent or alcohol and then wipe thoroughly with a dry cloth.
- If dust is accumulated on the case surface, remove it using a special vacuum cleaner for computers.
- Do not replace the motherboard battery by yourself, or serious damage may occur.

CAUTION! Danger of explosion if battery is incorrectly replaced. Replace only with the same or equivalent type recommended by the manufacturer. Dispose of used batteries according to the manufacturer's instructions.

WARNING! Some internal parts of the system may have high electrical voltage. And therefore we strongly recommend that qualified engineers can open and disassemble the system. The LCD and Touchscreen are easily breakable, please handle them with extra care.