

PA-6622

› One-of-a-kind Highly Integrated 10.4" POS Terminal



Features



- Intel® Celeron® J1900 CPU
- 10.4" LCD display with touchscreen
- Versatile design for multiple applications
- 2"/3" easy loading thermal printer (Optional)
- MSR / i-Button / Fingerprint / RFID (Optional)
- Small footprint
- Streamline design

Specifications



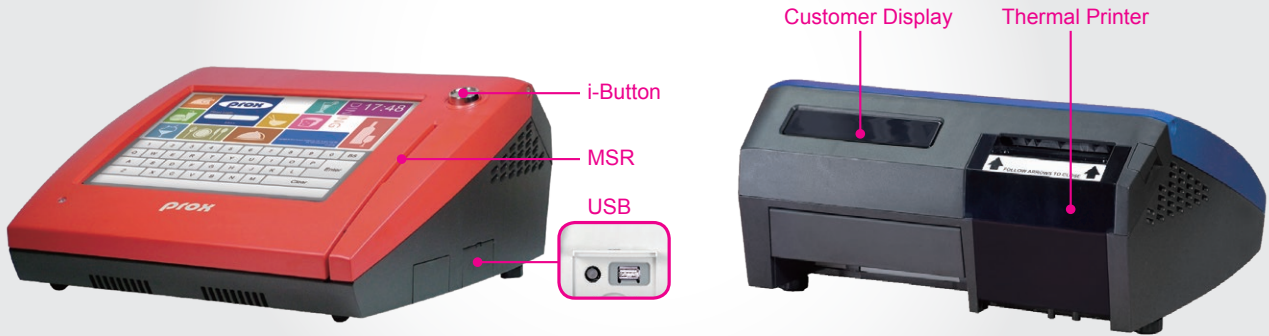
System	CPU Support	Intel® Celeron® J1900 CPU
	Memory	1 x DDR3L SO-DIMM slot (up to 8GB)
	Network	Gigabit 10/100/1000 Base-T Fast Ethernet
	Power Supply	120 watt power adapter
	Audio	2W speaker
	System Weight	With power adapter approx. 6 kg
	Dimensions (W x H x D)	320 x 172.3 x 315 mm
	O.S. Support	Windows 10 / Windows 8.1 / POSReady 7 / Android 4.4
Storage	SATA	1 x 2.5" HDD or SSD
	mSATA	1 x SSD
I/O Ports	USB	Rear: 4 x USB Side: 1 x USB
	Serial Ports	3 + 1 (option) x DB9 (+5V/+12V selectable)
	LAN	1 x RJ45
	VGA	1 x DB15
	Line Out	1 x 3.5 mm phone jack
	Cash Drawer	1 + 1 (option, with Y cable) x RJ11 (+12V or +24V selectable)
	DC In	1 x 4 pin DC power jack
	LPT	1 x DB25 (option)
Add-ons	Customer Display	VFD kit, 20 columns and 2 lines, each column is 5 x 7 dots
	Printer	2" or 3" easy loading thermal printer with auto-cutter
	MSR & iButton	ISO I,II,III; JIS I,II and support information key
	RFID	ISO14443A read / write; ISO18092 read only
Display	Fingerprint	8-bit grayscale reader
	LCD	10.4" TFT LCD
	Max. Resolution	1024 x 768 / 800 x 600
	Brightness	400 / 230 cd/m ²
	Touchscreen	5-wire analog resistive
Environment	Tilt Angle	24~30 degrees
	EMC & Safety	CE / FCC
	Operating Temp.	0°C~35°C
	Storage Temp.	-5°C~60°C
Humidity	20%~90%	

*All information contained in this document is subject to change without prior notice. Please log on www.protech.com.tw to acquire latest information.

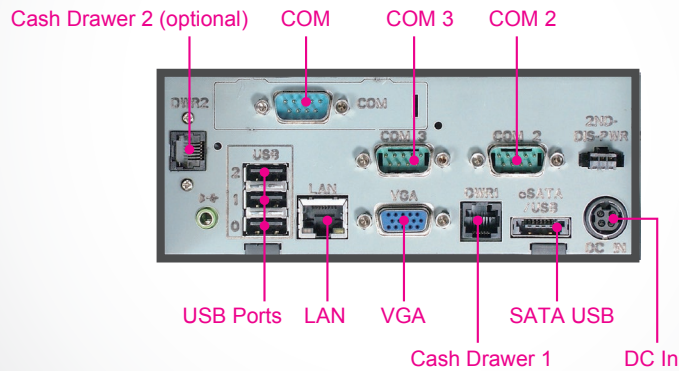
Applications

- Automation
- Retail
- Transportation
- Food Service
- Banking
- Information

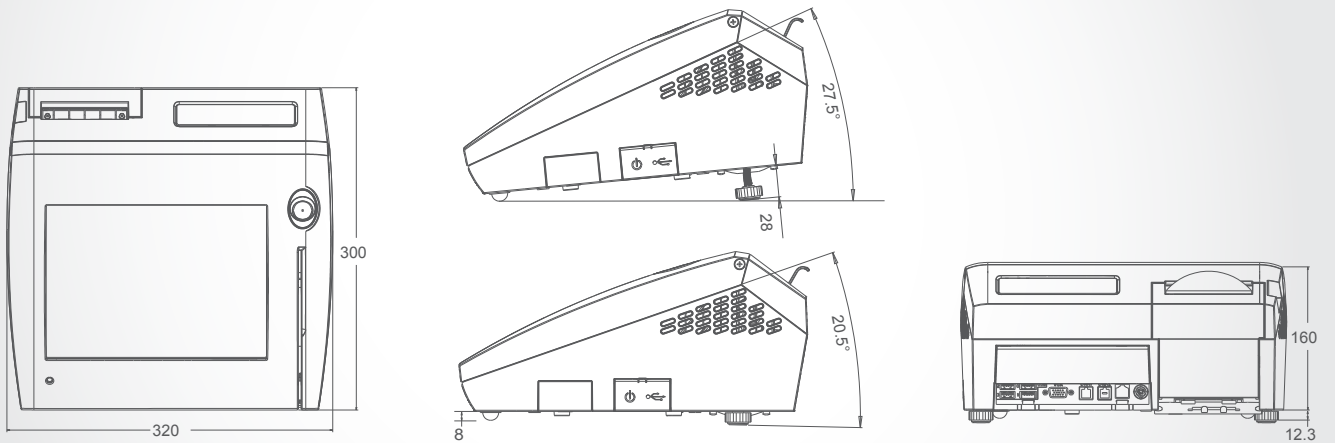
Highlights



System I/O Ports



Dimensions



unit: mm