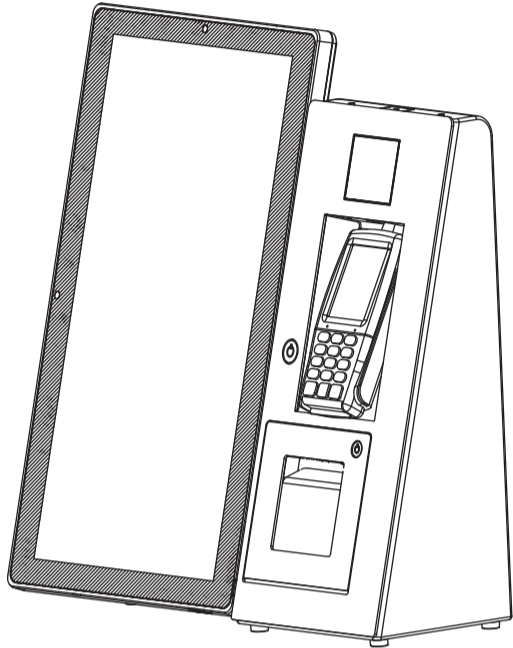


# PA-R120

## Quick Reference Guide



Ver. Q1

All Rights Reserved. Copyright 2020

## Packing Checklist

If you discover any item below was damaged or lost, please contact your vendor immediately.

- PA-R120 X 1
- This Quick Reference Guide X 1
- Power Adaptor X 1
- AC Power Cord X 1
- Driver DVD X 1

## Specifications

PA-R120

<b>System</b>	CPU Support	Intel® Kaby Lake i5-7300U/ i3-7100U/ 4415U/ 3865U
	Memory	1 x DDR4 SO-DIMM socket, up to 16GB
	Network	1 x Giga LAN (RJ45) for 10/100/1000Mbps
	Storage	1 x 2.5" HDD or SSD 1 x M.2 (2242 type, SATA Interface)
	Audio	2W speaker
	Printer	2 2/3" Thermal printer Paper roll size: 58mm/80mm(W) x 80 mm Printing speed: 170mm/s
	2D Scanner	Fixed Mount Barcode Scanner Image Sensor: 800x 800 CMOS Resolution: ≥4mil Symbologies: 2D: PDF417, Data Matrix, QR Code, Micro QR Code, Aztec, etc. 1D: EAN-8,EAN-13,UPC-A,UPC-E,ISSN,ISBN, Codabar, Standard 2 of 5,Code 128, Code93, ITF-6, ITF-14,GS1 Databar, MSI-Plessey,Code 39,Interleaved 2 of 5, Industrial 2 of 5, Matrix 2 of 5, Code 11, Plessey, etc.
	Net Weight	18kg
	Dimensions	558 x 523 x 173 mm (W x H x D)
	O.S. Support	Windows 10
Power Supply	AC 100-240V available	
<b>I/O Ports</b>	USB	<b>PPC:</b> 2 x USB 2.0 Type A (option) <b>Chassis:</b> 2 x USB 3.0, Type A
	Serial Ports	<b>PPC:</b> 1+1(option) x COM ports COM1: RS-232 D-sub, RI/5V/12V selectable under BIOS COM4 (option): RS-232(RJ45), RI/5V/12V selectable by jumper <b>Chassis:</b> COM2 / COM3 ports (option) COM2/3: RS-232 (D-sub), RI/5V/12V selectable by jumper
	LAN	<b>Chassis:</b> 1 x Giga LAN (RJ45) for 10/100/1000Mbps
	Cash Drawer	<b>PPC:</b> 1 x RJ11, 12V/24V selectable by Jumper
	2nd, 3rd display support port	<b>PPC:</b> 1 x VGA D-sub, 1080P & 1 x HDMI port, 4096 x 2304
	Sound	<b>PPC:</b> 1 x Mic & Line out (option)
	Power Switch	<b>Chassis:</b> 1 x power switch
<b>Monitor</b>	LCD	21.5" TFT LCD
	Max. Resolution	1920 x 1080
	Brightness	250 cd/m <sup>2</sup>
<b>Environment</b>	Touchscreen	Bezel-free Projected capacitive touchscreen
	Operating Temp.	0°C ~ 35°C (32°F ~95°F)
	Storage Temp.	-5°C ~ 60° C (23°F ~140°F)
Humidity	20% ~ 90%	

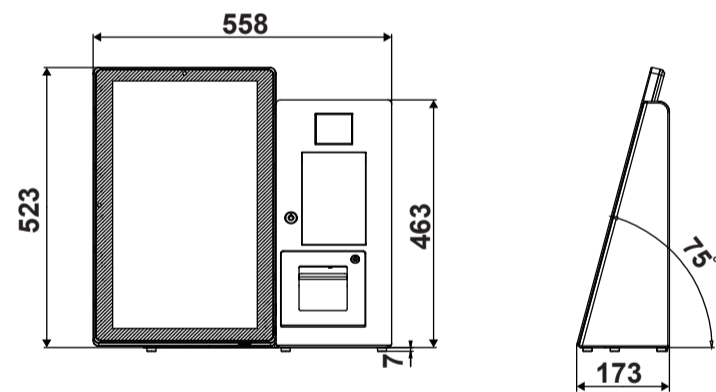
## System View

PA-R120

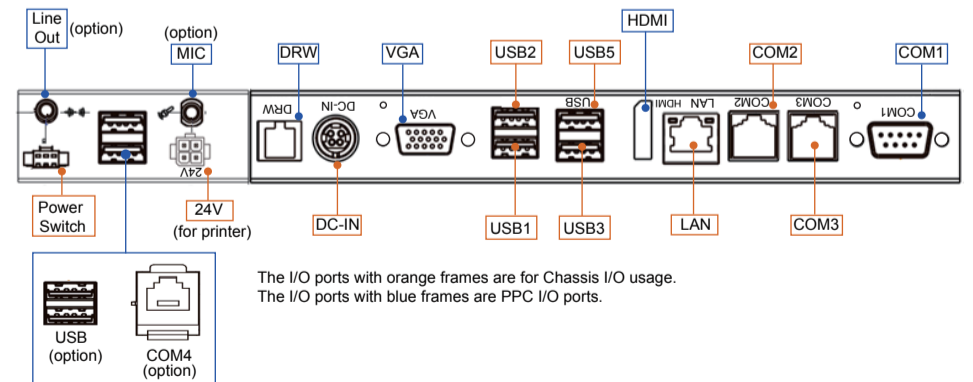
### Front View

### Side View

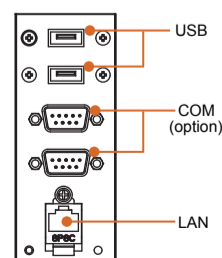
Unit: mm



### PPC I/O



### Chassis I/O



# PA-R120

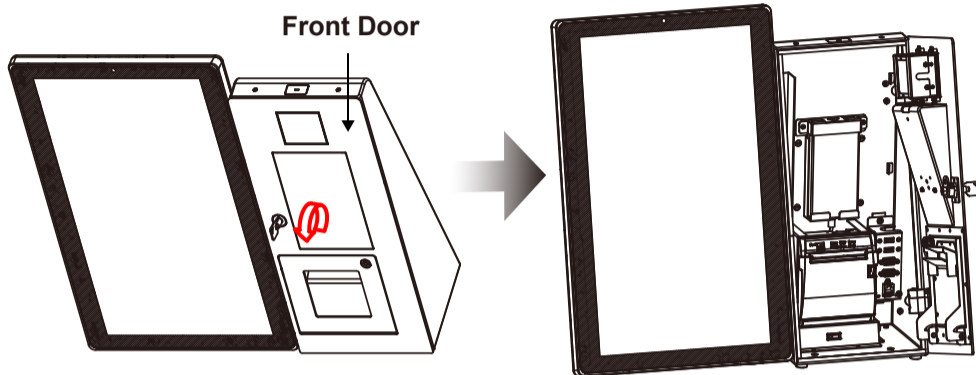
## Desktop Non-Cash Self-Payment POS

### Easy Maintenance

#### Opening System Front Door

**Step 1.** Insert the front door key and rotate the key leftwards as shown:

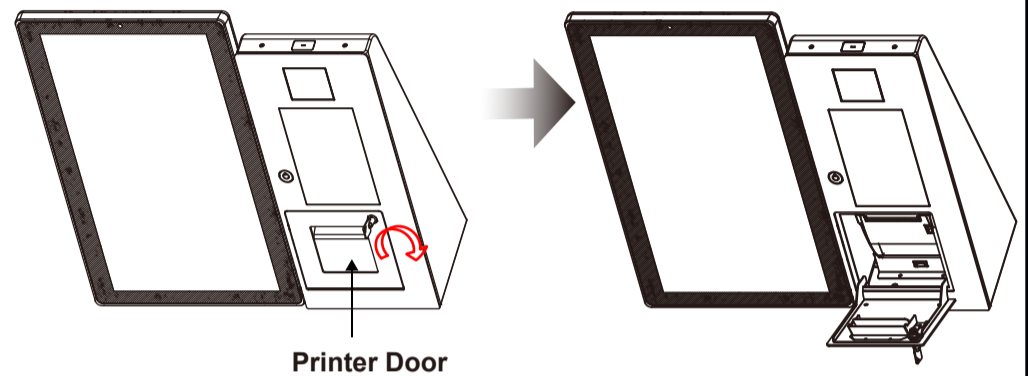
**Step 2.** Open the system front door as shown:



#### Opening Thermal Printer Door By Key

**Step 1.** Insert the printer door key and rotate the key rightwards as shown:

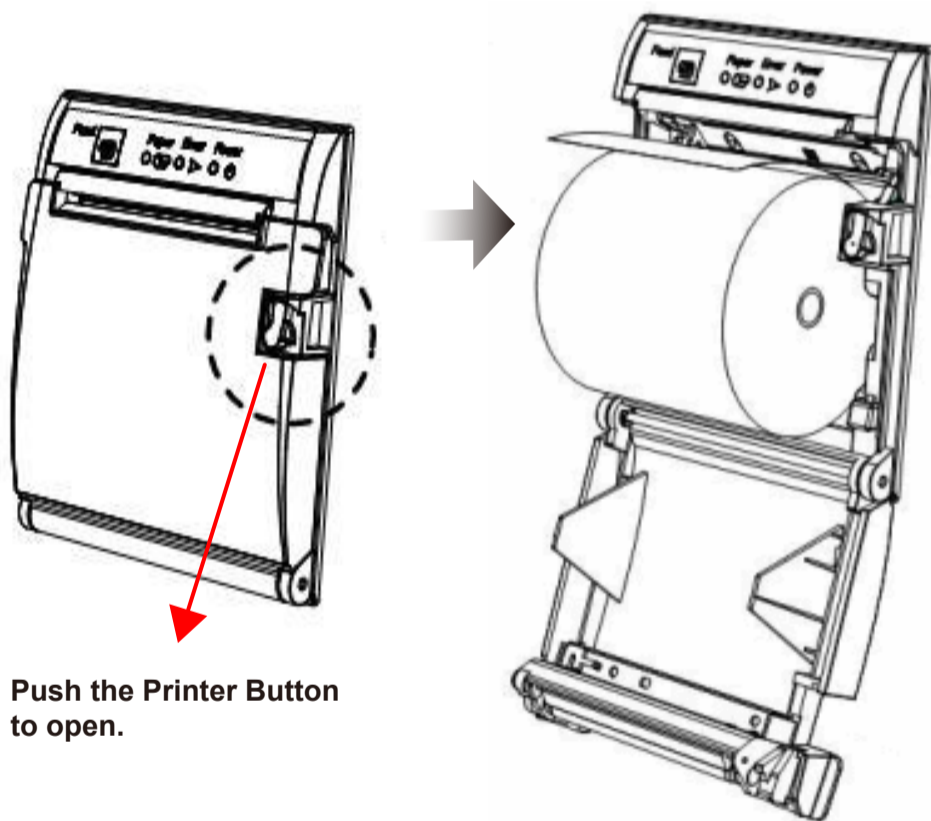
**Step 2.** Open the printer front door as shown:



#### Opening Thermal Printer Door By Button

**Step 1.** Push the button located on the right side of the Thermal Printer as shown:

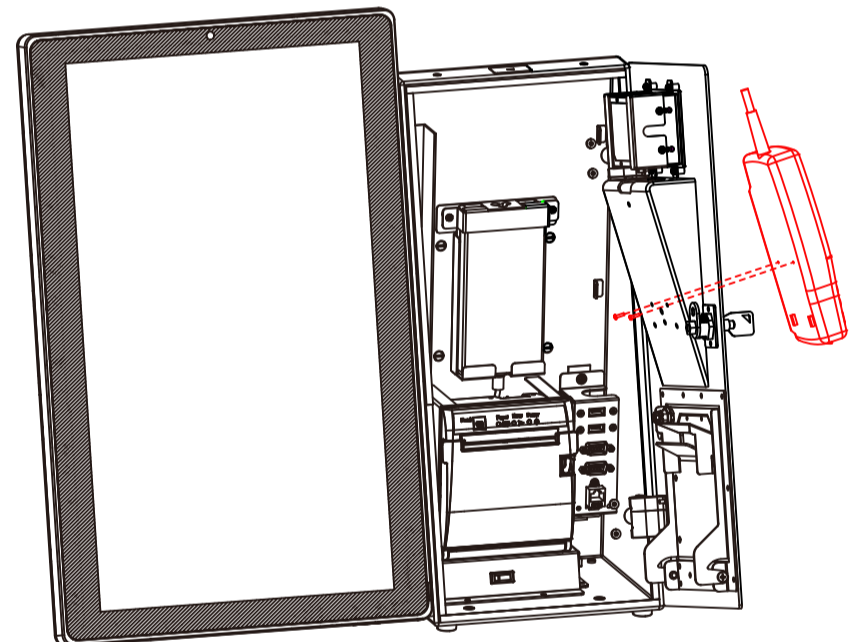
**Step 2.** Install the paper roll as shown:



Push the Printer Button to open.

#### Installing PIN Pad Payment Device

**Step 1.** Fasten the screws to secure PIN Pad payment device onto the system.



### Safety Precaution

The following messages are reminders for safety on how to protect your system from damages and extend a long life of the system.

#### 1. Check the Cable Voltage

- Make sure the range of operating voltage between AC 100V ~ 240V. Otherwise, the system could be damaged.

#### 2. Environmental Conditions

- Place your PA-R120 on a sturdy, level surface. Be sure to allow enough space to have easy access around the system.
- Avoid extremely hot or cold place to install the system.
- Avoid exposure to sunlight for a long period of time or in an airtight space.
- Avoid the system from any heating device or using it outdoors in a cold winter day.
- Bear in mind that the operating ambient temperature is from 0°C ~ 35°C (32°F ~ 95°F).
- Avoid moving the system rapidly from a hot place to a cold place and vice versa because condensation may come from inside of the system.
- Place PA-R120 in strong vibration(s) may cause hard disk failure.
- Don't place the system close to any radio active device in case of signal interference.

#### 3. Handling

- If the system isn't fully in DOS mode, adjust BIOS setting as the instruction: Advanced Chipset Feature => Boot display => choose "LFP".
- Avoid putting heavy objects on top of the system.
- Don't turn the system upside down. This may cause the hard drive to malfunction.

- Don't allow foreign objects to fall into this product.

- If water or other liquid spills into this product, unplug the power cord immediately.

#### 4. Good Care

- When the case outside is stained, remove the stain with a neutral washing agent with a dry cloth.
- Never use strong agents such as benzene and thinner to clean the system.
- If heavy stains are present, moisten a cloth with diluted neutral washing agent or with alcohol and then wipe thoroughly with a dry cloth.
- If dust has been accumulated on the outside, remove it by using a special vacuum cleaner for computers.
- Don't contact the surface of capacitive touch before entering your operation system, or capacitive touch may have position problems for electrostatics interface.
- Don't exchange the M/B battery by yourself or serious damage may incur.

**[CAUTION!]** Danger of explosion if battery is incorrectly replaced. Replace only with the same or equivalent type recommended by the manufacturer. Dispose of used batteries according to the manufacturer's instructions.

**[WARNING!]** Some internal parts of the system may have high electrical voltage. And therefore we strongly recommend that qualified engineers can open and disassemble the system. The LCD and Touchscreen are easily breakable, please handle them with extra care.