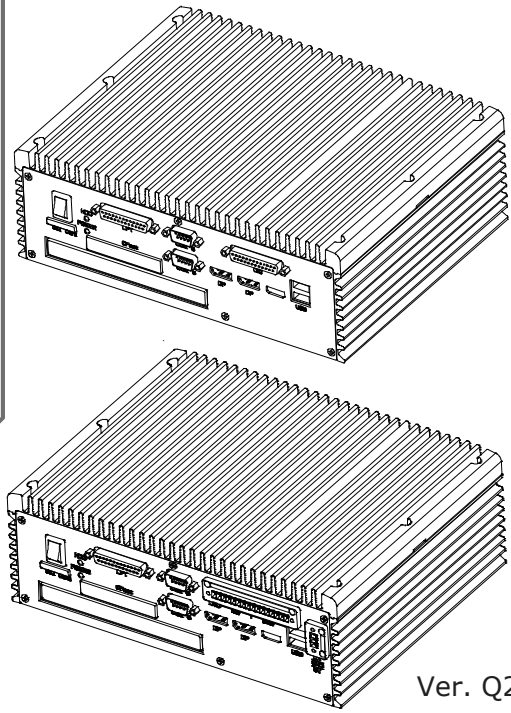


# SE-8210

## Quick Reference Guide



Ver. Q2

All Rights Reserved. Copyright 2015

## Packing Checklist

If you discover any item below damaged or lost, please contact your vendor.

- SE-8210 x1
- This Quick Reference Guide x1
- Driver/ Manual CD x1

## Specifications

### System

CPU Support	Intel® Core™ 3rd Gen. mobile i3/i5/i7 (rPGA-988) processor
Chipset	Intel® QM77 / HM-76
Memory Support	DDR3/DDR3L 1600/1333/1066 up to 16GB / System
OS Support	Win8.1 32-bit Win8.1 64-bit, Win 7, Win XP
Watchdog	1~255 secs Watchdog timer
Driver Bay	2.5" SATA HDD drive bay x 1 / Slim DVD-ROM X1(option)
Power Supply	9~36V DC-in
Power Adapter	24V, 120W (Option)
Expansion Slot	1 x mini PCI-E slot (for WLAN module & 3G module) 1 x SIM card slot / 1 x CFast slot 1 x PCIe x4 : 10W max./slot(option)
System Weight	4.5 kg
Dimension (WxHxD)	260mm(W) x 89mm(H) x 200mm(D)
Certificate	FCC/CE

### I/O Ports (Front side)

Serial Port	2 ports (COM 5/6 for RS232 only)
Digital I/O	DSUB-25,8in/8out or Phoenix-16p (option)
USB	2 x USB 2.0
Display port	2x
SIM card / CFast slot	1x / 1x

### I/O Ports (Rear side)

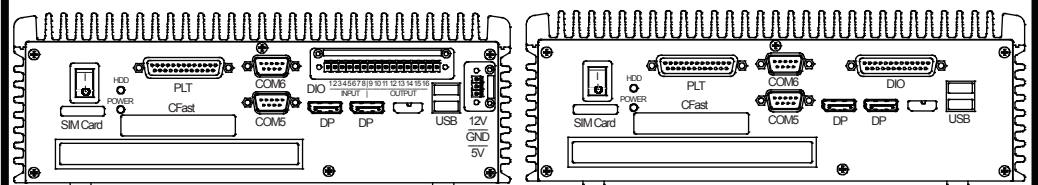
Serial Port	4 ports support (COM1/3/4 for RS232, COM2 for RS232/422/485, pin-9 5V/12V/RI selectable)
VGA	1 x VGA
LAN	LAN1 : Intel® 82579LM 10/100/1000 LAN LAN2 : Intel® 82583V 10/100/1000 LAN Support wake-on-LAN
Audio	1 x Line out, 1 x Mic-in, High Definition
USB	4 x USB 3.0
DC-In	1 x 9~36V (DIN type 4 pin connector)

### Environment

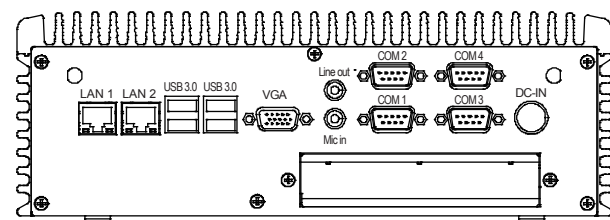
Operating Temp.	HDD: -5 ~ 45°C
Ambient with air flow	CFast card(Wide-Temp grade): -5°C ~ 55°C (w/o Audio)
Storage Temp.	-20 ~ 80°C
Humidity	10 ~ 90%

## System View

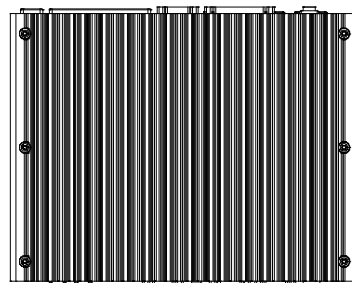
### Front View



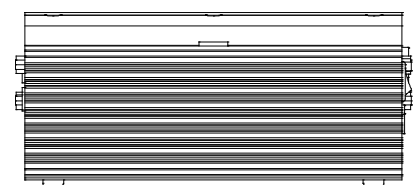
### Rear View



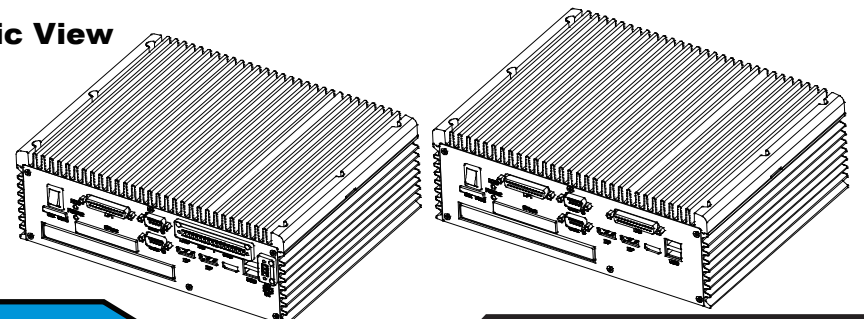
### Top View



### Side View



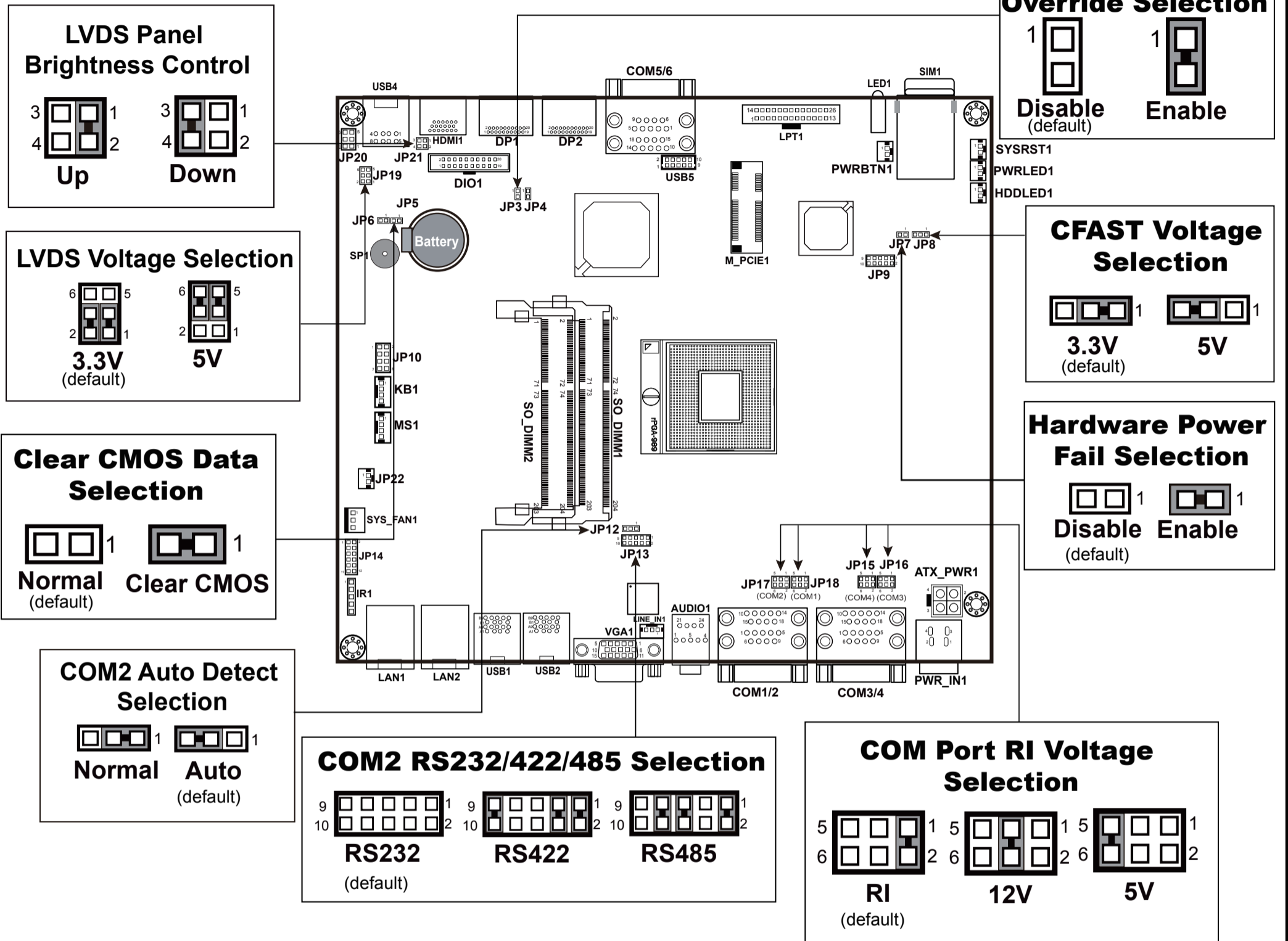
### Isometric View



# SE-8210

## Fanless Embedded PC

### Jumper Setting



### Safety Precaution

Following messages are safety reminders on how to protect your system from damages, and thus help you lengthen the life cycle of the system.

- Check the Line Voltage
  - The operating voltage for the power supply should cover the range of 9V~36V DC, otherwise the system may be damaged.
- Environmental Conditions
  - Place your SE-8210 on a sturdy, level surface. Be sure to allow enough room on each side to have easy access.
  - Avoid moving the system rapidly from a hot place to a cold place or vice versa because condensation may come from inside of the system.
  - Place SE-8210 against strong vibrations, which may cause hard disk failure.
- Handling
  - Do not turn the system upside down. This may cause the hard drive to mal-function.

- Do not allow foreign objects to fall into this product.
  - If water or other liquid spills into this product, unplug the power cord immediately.
  - Good Care
    - When the outside of the case is stained, remove the stain with neutral washing agent with a dry cloth.
- If dust has been accumulated on the outside, remove it by using a special made vacuum cleaner for computer.

**CAUTION!**

Danger of explosion if battery is incorrectly replaced. Replace only with the same or equivalent type recommended by the manufacturer. Dispose of used batteries according to the manufacturer's instructions.

**WARNING!**

Some internal parts of the system may have high electrical voltage. Therefore we strongly recommend qualified engineers open and disassemble the system.