

SE-8300

Intel® Atom™ E3845 Rich I/O and Fanless Embedded PC



Features



- Intel® Atom™ E3845 processor (Quad core 1.91GHz)
- Rich I/O and fanless embedded PC
- I/O features
 - 1 x DVI-D, 1 x VGA, 1 x Line Out, 1 x Mic In
 - 1 x USB 3.0, 3 x USB 2.0, 4 x serial ports
 - 1 x DC 12V Out (4A), 2 x LANs
 - 8 x PoE (IEEE802.3af), 2 x SIM card slots
- With isolated ports
 - 4 in / 4 out Digital I/O
 - COM 1 / COM 2
 - 1 x CAN bus
- Removable HDD tray
- Wide-ranged temperature -30°C~60°C (for wide temperature mSATA)
- Wide-ranged voltage DC In 9~36V (support Ignition)

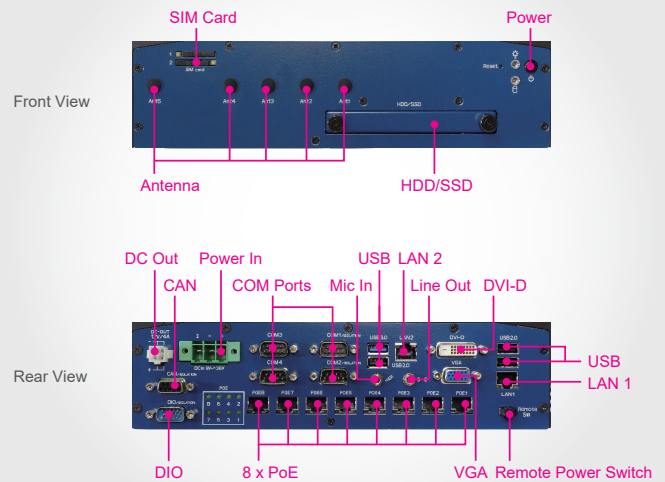
Specifications



System

CPU Support	Intel® Atom™ E3845 CPU on board (Quad core 1.91GHz)
Memory Support	1 x DDR3L SO-DIMM up to 8GB
Watchdog	1~255 seconds watchdog timer selectable
Drive Bay	1 x 2.5" SATA HDD or SSD drive space
Power Input	DC In 9~36V (with ignition)
Operating System	Windows 8 / Windows 7
Expansion Slots	1 x mSATA slot 1 x full-sized Mini PCIe slot1 (Mini PCIe and SIM signal) 1 x full-sized Mini PCIe slot2 (Mini PCIe and USB signal) 1 x full-sized Mini PCIe slot3 (USB and SIM signal) 2 x SIM card slots
System Weight	3.5 kg
Dimensions	270 x 80 x 202.5 mm (W x H x D)
Certifications	FCC / CE

System Front View & Rear View



I/O Ports (Front side)

Antenna Hole	5 x antenna holes
Drive Bay	1 x 2.5" SATA HDD or SSD drive space
SIM Slots	2 x SIM card slots Signal from full-sized Mini PCIe slot1 Signal from full-sized Mini PCIe slot3
LED	1 x power LED, 1 x HDD LED
Power On/Off	1 x power on/off button

I/O Ports (Rear side)

Serial Ports	COM 1/2 for RS-232/422/485 with isolation (5KVrms) COM 3/4 for RS-232 and 5V/12V selectable
DVI	1 x DVI-D
VGA	1 x VGA
LAN	2 x GbE LANs, Wake-On-LAN, PXE LAN 1: Intel® I210IT LAN 2: Intel® I210IT
Audio	1 x Line Out / 1 x Mic In
USB	1 x USB 3.0, 3 x USB 2.0
CAN Bus	1 x CAN bus with isolation (5KVrms)
Digital I/O	4 in / 4 out with isolation (5KVrms)
PoE	8 x PoE (IEEE 802.3af), max.15.4W each port
Power Output	1 x 12V (4A) DC Out
Power On/Off	1 x remote power switch

Environment

Operating Temp.	HDD: 0°C~45°C (32°F~113°F) (Ambient with airflow) with wide-ranged temperature mSATA: -30°C~60°C (-22°F~140°F) (w/o audio)
Storage Temp.	-20°C~80°C (-4°F~176°F)
Humidity	20%~90%

Applications

- Automation
- Transportation
- Information

* All information contained in this document is subject to change without prior notice. Please log on www.protech.com.tw to acquire latest information. For detail mechanics drawing, please contact our sales.