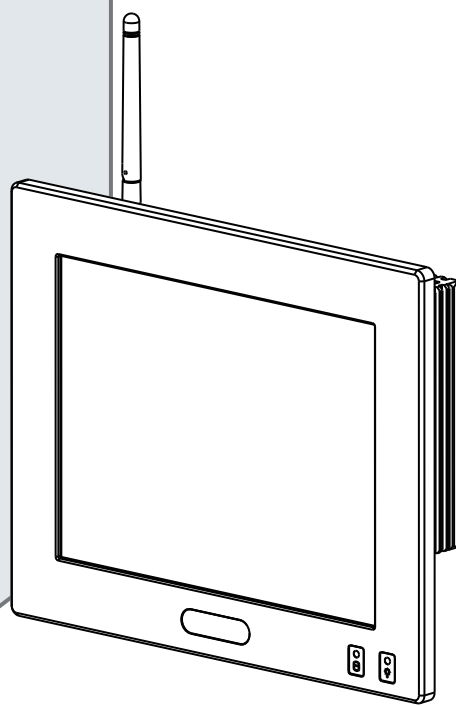


Specification

SP-6110/ SP-6112/ SP-6118

Quick Reference Guide



Ver. Q1

All Rights Reserved. Copyright 2013

System

CPU Support	Intel® Atom™ E640T/E680T processor on board
Chipset	Intel® EG20T
OS Support	Microsoft Windows XP/7
Memory Support	DDR2 1GB on board
Drive Bay	1 x 2.5" SATA HDD
Power Requirement	DC-in 9~36V
Wall Mount Type	VESA 75
Net Weight & Dimension (WxHxD)	SP-6110: 3.5 kg ; 277.6 x 228.8 x 71 mm SP-6112: 4.1 kg ; 324 x 246 x 71 mm SP-6118: 2.9 kg ; 246.8 x 184.6 x 70 mm
Certificate	FCC/CE

I/O Ports

Serial Port	1 x RS232 (5V/12V/RI selectable) 1 x RS232/422/485 selectable
USB	2 x USB 2.0
VGA	1 x VGA
LAN	2 x RJ-45 (10/100/1000 Mbps)
Audio	1 x Line out
Expansion slot	1 x Mini PCIe slot, 1 x CFast card slot

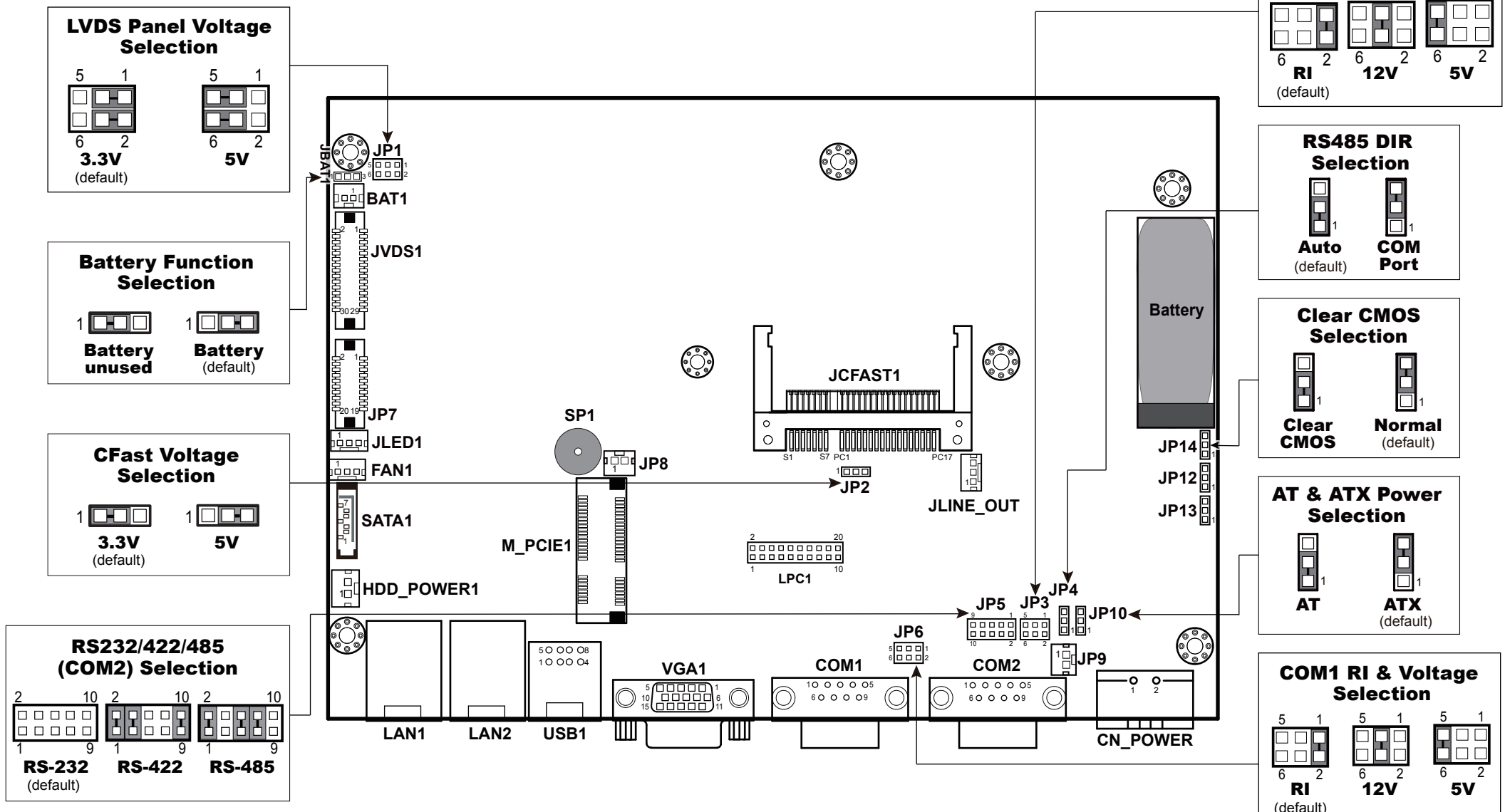
Display

LCD Panel Size & Resolution	SP-6110: 10.4" ; 800x600 (230nits) / 1024x768 (300nits) SP-6112: 12.1" ; 1024x768 (500nits) SP-6118: 8.4" ; 800x600 (450nits)
Touch Panel Type	5 Wire Resistive

Environment

Operating Temp.	HDD: 0 ~ 45°C (32 ~ 113°F) CFast Card: -20 ~ 60°C (-4 ~ 140°F)
Storage Temp.	-20 ~ 60°C (-4 ~ 140°F)
Humidity	20 ~ 90%

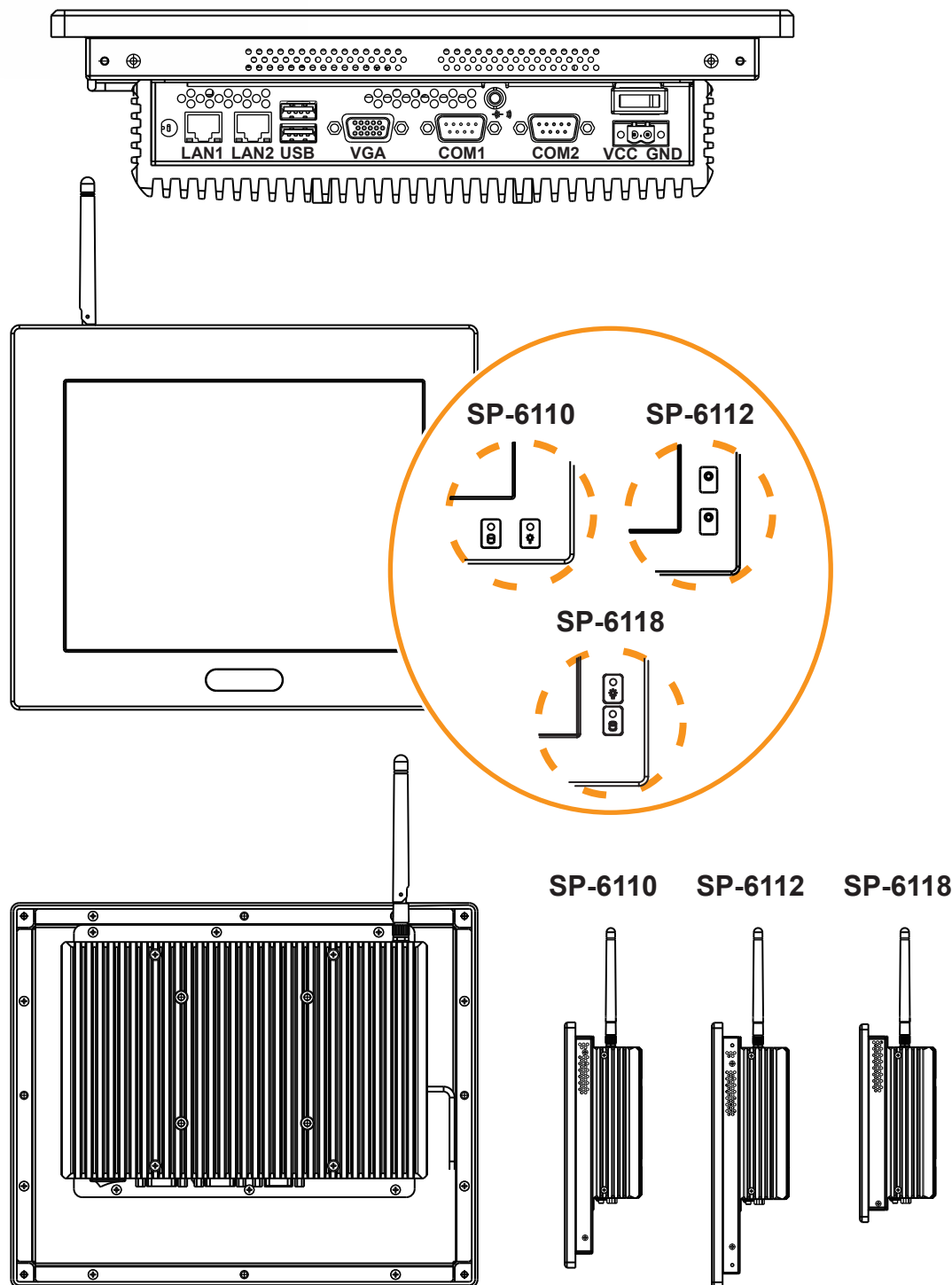
Jumper Setting



SP-6110/6112/6118

10.4"/12.1"/8.4" Fanless Panel PC

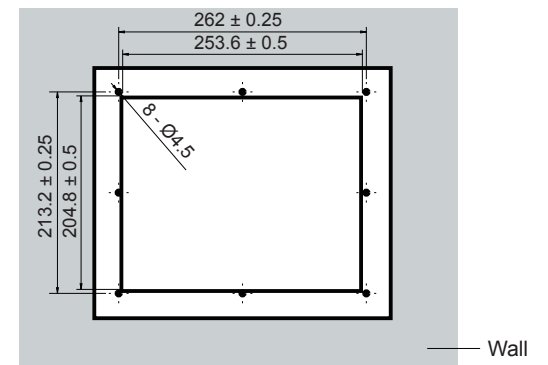
System View



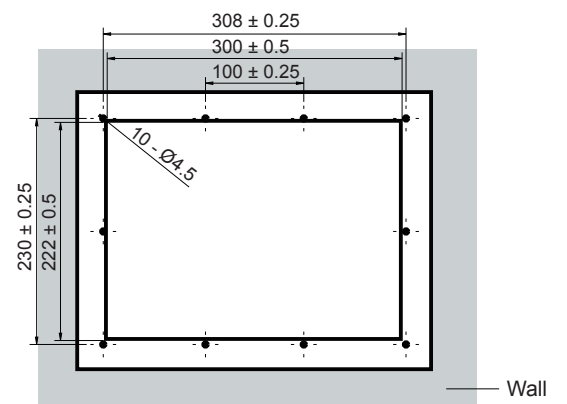
Wall Mount

Cut-out Dimension:
(Unit: mm)

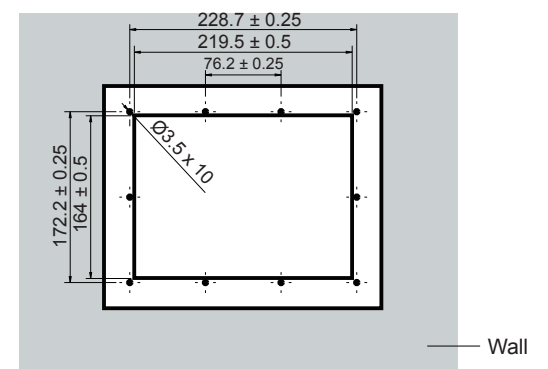
SP-6110



SP-6112



SP-6118



Safety Precaution

The following messages are safety reminders on protecting your system from damages and extending a long life of the system.

1. Check the Cable Voltage

- The range of operating voltage should be between DC 9V and 36V. Otherwise, the system could be damaged.

2. Environmental Conditions

- Place your SP-6110/6112/6118 on a sturdy & level surface. Be sure to allow enough space to have easy access around the system.
- Avoid extremely hot or cold place to install the system.
- Avoid exposure to sunlight for a long period of time or in a airtight space. Also, avoid the system from any heating device or using SP-6110/6112/6118 when it's been left outdoors in a cold winter day.
- Avoid moving the system rapidly from a hot place to a cold one and vice versa because condensation may come from inside of the system.
- Place SP-6110/6112/6118 in strong vibrations may cause hard disk failure.
- Do not place the system close to any radio active device in case of signal interference.

3. Handling

- Avoid putting heavy objects on top of the system.
- Do not turn the system upside down. This may cause the floppy drive and hard drive to mal-function.
- If water or other liquid spills into this product, unplug the power cord immediately.

4. Good Care

- When the outside of the case is stained, remove the stain with neutral washing agent with a dry cloth.
- Never use strong agents such as benzene or thinner to clean the system.
- If heavy stains are present, moisten a cloth with diluted neutral washing agent or alcohol, and then wipe thoroughly with a dry cloth.
- If dust has been accumulated on the outside, clean with a special vacuum cleaner made for computers.

CAUTION! Danger of explosion if battery is incorrectly replaced. Replace only with the same or equivalent type recommended by the manufacturer. Dispose of used batteries per the manufacturer's instructions.

WARNING! Some internal parts of the system may have high electrical voltage. Therefore we strongly recommend qualified engineers open and disassemble the system. The LCD and touch screen are easily breakable, please handle them with extra care.