

# SP-6150

› Intel® Atom™ / Pentium® / Celeron® Processor  
Fanless and Low Power 10.4" Panel PC



## Features



- Intel® Atom™ E3950 / Pentium® N4200 / Celeron® N3350 / Celeron® J3455
- Fanless and quiet design
- HDD easy maintenance
- Three independent displays (HDMI® / DVI-D / LVDS)
- Multiple I/O ports (2 x LAN with PoE / 3 x USB 3.0 / 2 x COM / I<sup>2</sup>C)
- Expansion slot (2 x full-sized Mini PCIe / SD slot / 2 x SIM slot)
- Wide-ranged voltage DC In (9~36V)
- Wide-ranged temperature (w/ E3950)
- Front panel IP65 design
- Aluminum front bezel
- Supports high brightness LCD sunlight readable (optional)
- TPM module (optional)

## Specifications



### System

CPU Type	Intel® Celeron® N3350 2C, 2.4GHz Intel® Celeron® J3455 4C, 2.3GHz Intel® Pentium® N4200 4C, 2.5GHz Intel® Atom™ x7 E3950 4C, 1.8GHz
Chipset	Intel® SoC
Memory Support	1 x DDR3L 1600/1867MHz SO-DIMM socket (up to 8GB)
Watchdog	1~255 seconds watchdog timer selectable
Storage	1 x 2.5" SATA HDD or SSD
Front Bezel	Aluminum
IP65	Yes (for front panel only)
Power Input	DC In 9~36V
Operating System	Windows 10 IoT Enterprise LTSB 2016 64bit / Ubuntu 16.04 LTS
Dimensions	277.6 x 228.8 x 78 mm (W x H x D)
System Weight	3.4 kg
Mounting Support	Wall mount / VESA 100 / Panel mount
Certifications	FCC / CE

### Display

LCD	10.4" TFT LCD (LED) resolution SVGA 800 x 600
Touchscreen	5-wire resistive touchscreen

### Applications

- Automation
- Retail
- Food Service
- Banking
- Information

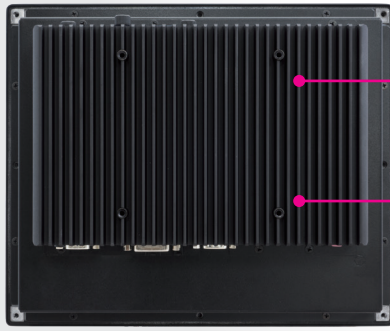
### I/O Ports

Display	1 x HDMI® up to 4K, 1 x DVI-D
USB	3 x USB 3.0
Audio	1 x Line Out / 1 x Mic In
LAN	2 x LAN (PoE IEEE 802.3af optional), Wake-On-LAN, PXE LAN 1: Intel® I210IT LAN 2: Intel® I210IT
Serial Ports	COM 1/2 for RS232/422/485 (selectable under BIOS) RI/5V/12V selectable by jumper
Storage	1 x 2.5" SATA III HDD or SSD drive space
Expansion Slots	1 x full-sized Mini PCIe (with mSATA or 3G/4G card with USB 2.0 signal) 1 x full-sized Mini PCIe (with PCIe or 3G/4G card with USB 2.0 signal) 1 x SD slot 2 x SIM slot
Antenna Hole	4 x antenna holes
Power On/Off	1 x power button 1 x remote switch
LED	2 x PoE LED
I <sup>2</sup> C	1 x I <sup>2</sup> C port

### Environment

Operating Temp.	HDD: 0°C~40°C (32°F~104°F) (Ambient with airflow) SSD: 0°C~50°C (32°F~122°F) Wide-ranged temperature: 0°C~50°C (32°F~122°F) (w/ N3350) Wide-ranged temperature: -20°C~50°C (-4°F~122°F) (w/ E3950)
Storage Temp.	-20°C~80°C (-4°F~176°F)
Humidity	20%~90%

## Highlights



2 x mini PCIe



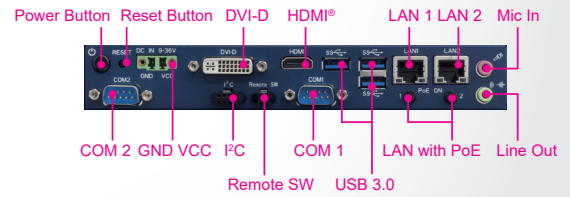
## I/O Panel View



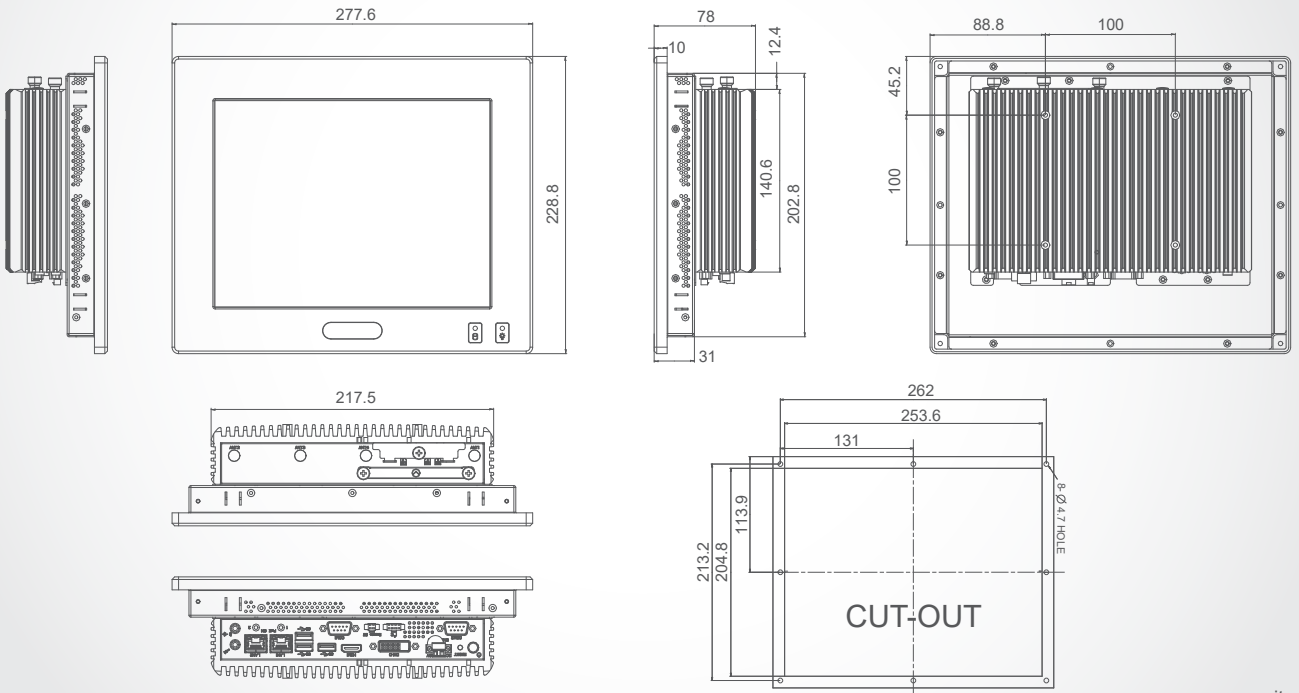
Bird View



Bottom View



## Dimensions



unit: mm