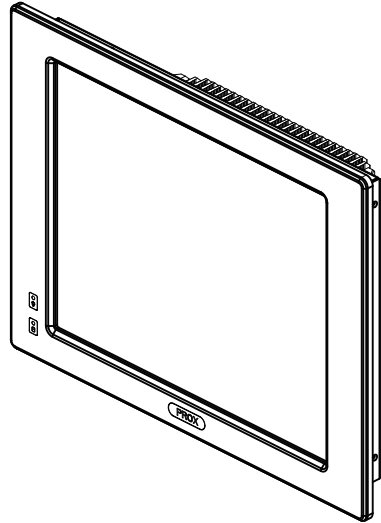


SP-6267/ SP-6269

Quick Reference Guide



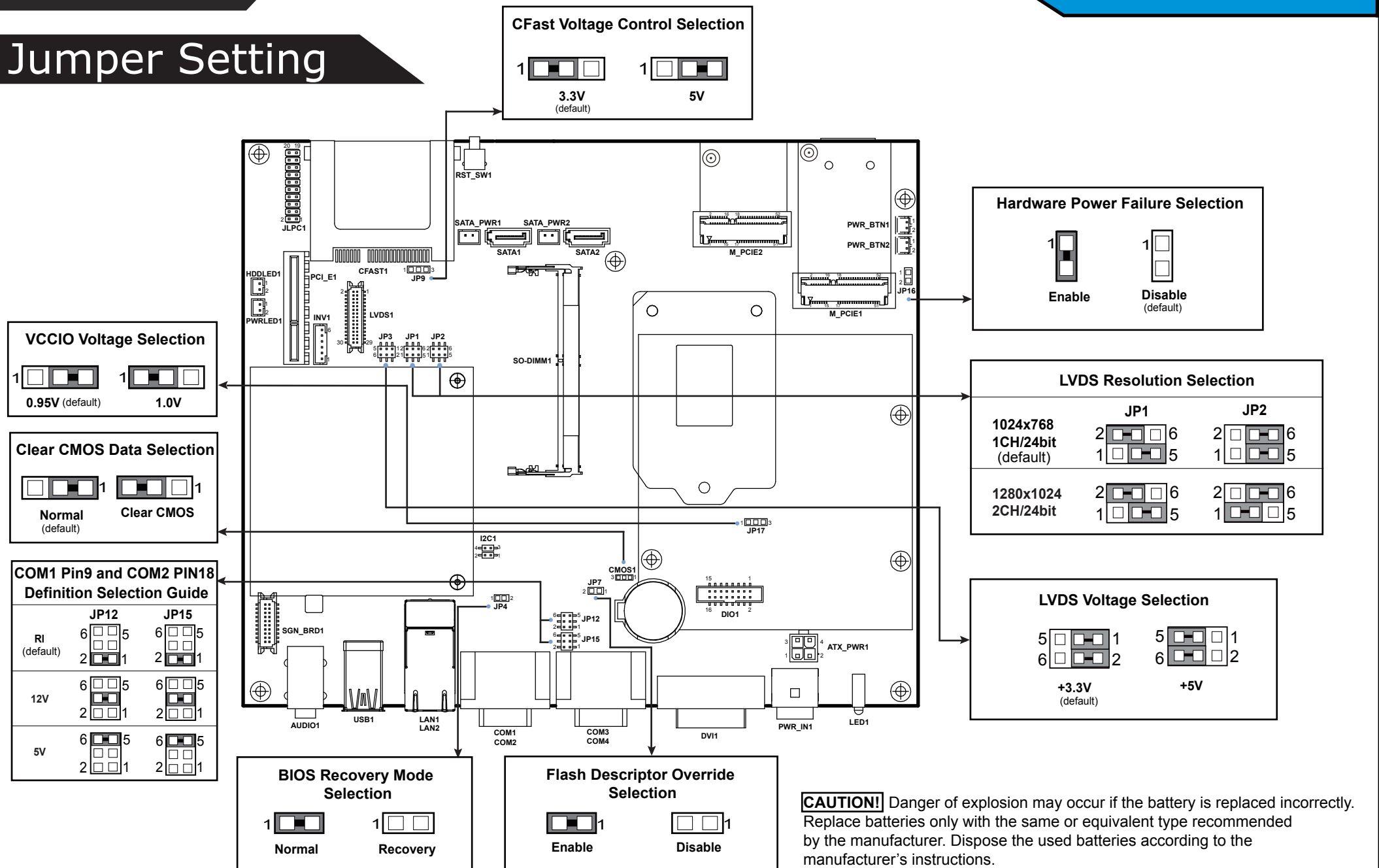
Ver. Q1

All Rights Reserved. Copyright 2018

Specification

System	
CPU Support	7th/6th Gen. Intel® Core™ i7/i5/i3 & Pentium/Celeron® LGA1151 socket processor (CPU TDP max. up to 35W)
Chipset	Intel® Q170/ H110
Memory Support	2 x DDR4 2133MHz SO-DIMM up to 32 GB
Drive Bay	2 x 2.5" SATA 3.0 SSD (support RAID 0/1 in Q170 SKU only)
Audio	1 x Line In / 1 x Line Out / 1 x Mic In
Expansion Slots	1 x Full-sized mini-PCIe (mini PCIe, USB and SIM signals) 1 x Half-sized mini-PCIe (mini PCIe and USB signals) 1 x SIM card slot / 1 x CFAST slot
Weight / Dimensions	SP-6267: 10.5 kg / 448mm(W) x 352mm(H) x 128.6mm(D) SP-6269: 11.5 kg / 471mm(W) x 396mm(H) x 130.9mm(D)
Power Input	DC in 9~36V
Certificate	FCC/CE
I/O Ports (Top side)	
SIM card / CFAST slot	1 x SIM card slot / 1x CFAST slot
Reset / Antenna	1 x reset pin / 3 x antenna hole
I/O Ports (Bottom side)	
Display	1 x DVI-I (DVI-D+VGA)
USB	4 x USB 3.0
Serial Ports	COM3/4 for RS232 COM1/2 for RS232/422/485 (selectable by BIOS) [COM1/2 for +5V/+12V/RI selectable by jumper]
LAN	2 x GbE LAN, Wake-On-LAN, PXE LAN 1: Intel® PHY I219 LM (10/100/1000 Mbps) LAN 2: Intel® LAN I210 AT (10/100/1000 Mbps)
Digital I/O Port	8 in / 8 out, DSUB-25 type or 16-pin terminal block (optional)
I2C	1 x I2C port
Audio	1 x Line In / 1 x Line Out / 1 x Mic In
Power Input	DC in 9~36V (DIN type 4-pin connector or 3-pin terminal block)
Power On/Off	1 x power button, 1 x remote switch
Display	
LCD	SP-6267: 17" TFT LCD(LED) Resolution SVGA 1280 x 1024, 350nit SP-6269: 19" TFT LCD(LED) Resolution SVGA 1280 x 1024, 350nit
Touchscreen	5-wire resistive touch screen (USB interface)
Environment	
Operating Temp.	SSD: 0°C ~ 45°C (32°F ~ 113°F) (without PoE) 0°C ~ 40°C (32°F -104°F) (with PoE)
Storage Temp.	-20°C ~ 60°C (-4°F ~ 140°F)
Humidity	10% ~ 90%

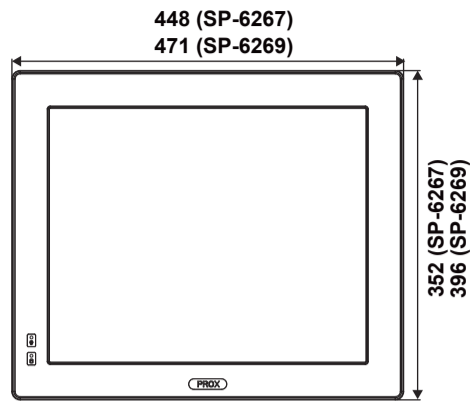
Jumper Setting



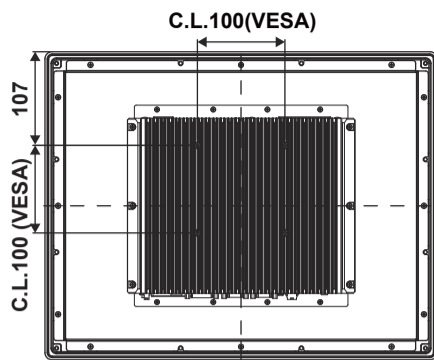
System Overview

(Unit: mm)

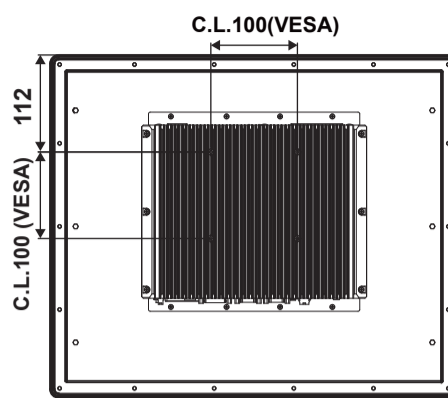
Front View



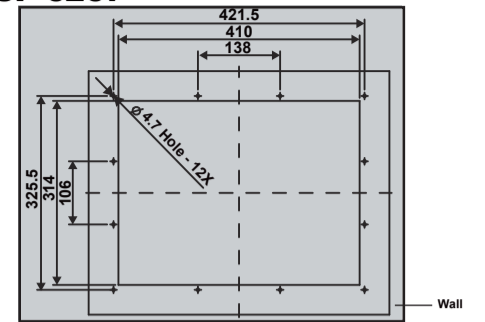
Rear View (SP-6267)



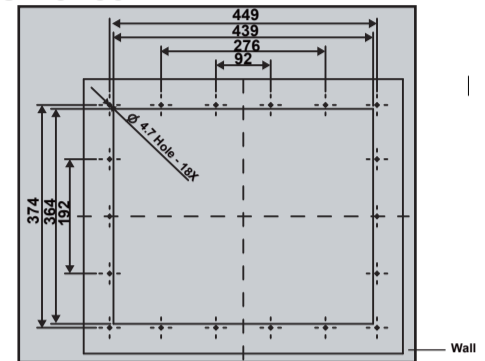
Rear View (SP-6269)



Wall Mount Cut-out Dimensions SP-6267

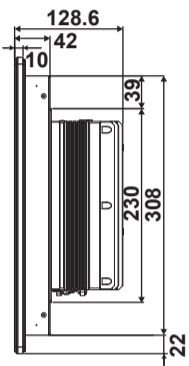


SP-6269

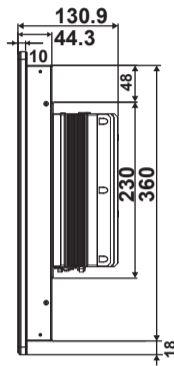


Right Side View

SP-6267

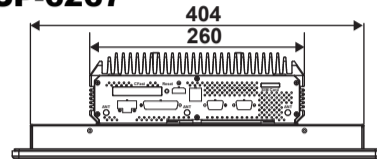


SP-6269

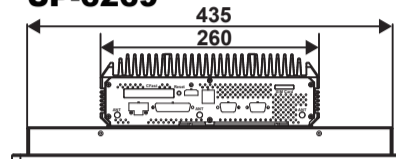


Top View

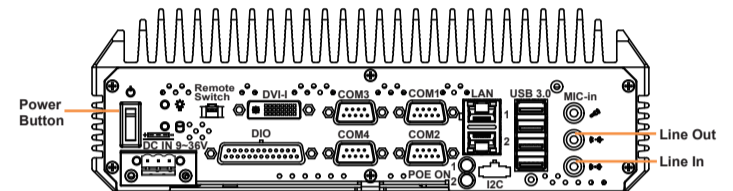
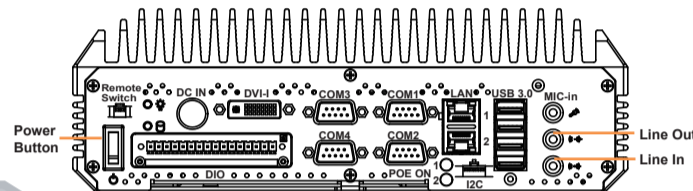
SP-6267



SP-6269



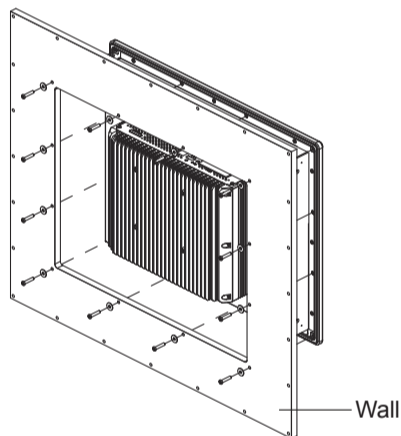
Bottom I/O View



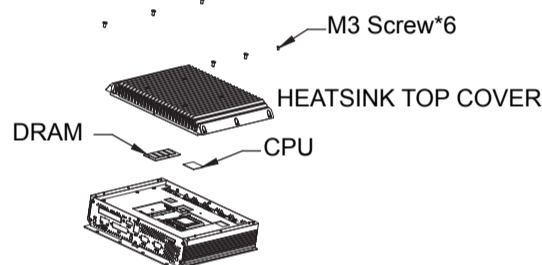
Quick Setup

Installing Panel Mount

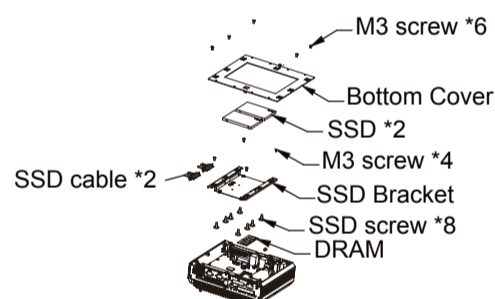
Tighten the screws into the 12 mounting holes (SP-6267) / 18 mounting holes (SP-6269) of the wall fixture as shown to mount Panel PC onto the wall securely. The panel mount installation is applicable for both SP-6267 and SP-6269 Panel PCs.



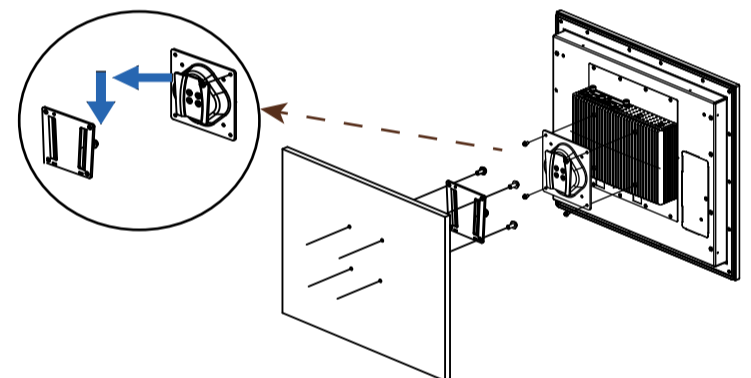
Installing 1st Memory and CPU



Installing 2nd Memory and SSD



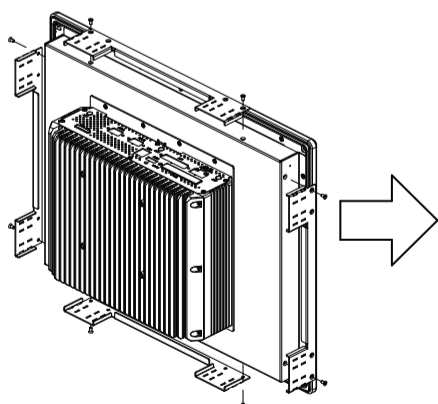
Installing VESA Mount



Installing Hooks

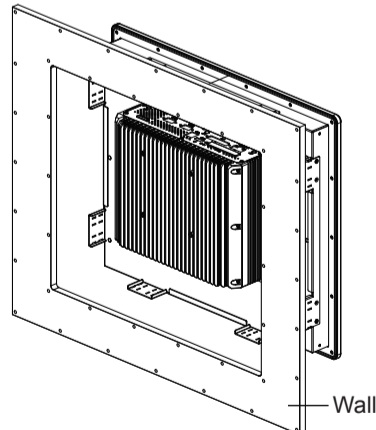
SP-6267 & SP-6269

Step 1. Install the hooks into the mounting hole on the four sides of SP-6267 & SP-6269 using 8 pieces M3x5mm screws.



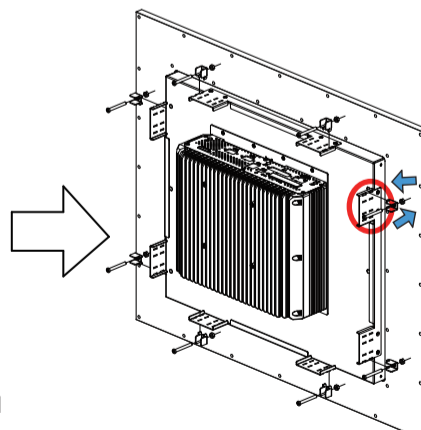
SP-6267 & SP-6269

Step 2. Mount SP-6267 & SP-6269 Panel PC equipped with 8 hooks onto the wall firmly.

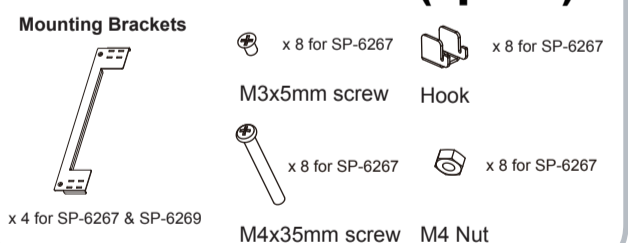


SP-6267 & SP-6269

Step 3. The operation is the same as above.



Hook Accessories (option)



1. Install the bracket.
2. Tighten the screw.

Safety Precaution

The following messages are reminders for safety on how to protect your system from damages and to extend a long life of the system.

1. Check the Cable Voltage

- The range of operating voltage should be within the range of 100V to 240V AC. Otherwise, the system may be damaged.

2. Environmental Conditions

- Place your SP-6267 / SP-6269 on a sturdy, level surface. Be sure to allow enough space to have easy access around the system.
- Avoid extremely hot or cold place to install the system.
- Avoid exposure to sunlight for a long period of time or in an airtight space.
- Avoid the system from any heating device or using SP-6267 / SP-6269 when it's been left outdoors in a cold winter day.
- Bear in mind that the operating ambient temperature is from 0°C ~ 35°C for HDD & 0°C ~ 45°C for SSD.
- Avoid moving the system rapidly from a hot place to a cold place and vice versa because condensation may come from inside of the system.
- Placing SP-6267 / SP-6269 in strong vibrations may cause hard disk failure.
- Don't place the system close to any radio-active device in case of signal interference.

3. Handling

- Avoid putting heavy objects on top of the system.
- Don't turn the system upside down. This may cause the floppy drive and hard drive to mal-function.
- If water or other liquid spills into this product, unplug the power cord immediately.

4. Good Care

- When the outside of the case is stained, remove the stain with a neutral washing agent with a dry cloth.
- Never use strong agents such as benzene and thinner to clean the system.
- If heavy stains are present, moisten a cloth with diluted neutral washing agent or with alcohol and then wipe thoroughly with a dry cloth.
- If dust has been accumulated on the outside, remove it by using a special made vacuum cleaner for computers.

CAUTION! Danger of explosion if battery is incorrectly replaced. Replace only with the same or equivalent type recommended by the manufacturer. Dispose of used batteries according to the manufacturer's instructions.

WARNING! Some internal parts of the system may have high electrical voltage. And therefore we strongly recommend that qualified engineers can open and disassemble the system. Please handle LCD and Touchscreen with extra care as they are easily breakable.