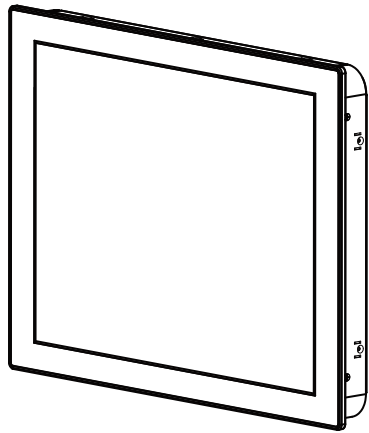


SP-6555/ SP-6557

Quick Reference Guide



Ver. Q1

All Rights Reserved. Copyright 2018

Specification

System

CPU Type	Intel® Celeron® N3350 2C, 2.4GHz Intel® Pentium® N4200 4C, 2.5GHz Intel® Atom® x7 E3950 4C, 2.0GHz
Memory Support	1 x DDR3L 1600/1867 SO-DIMM socket (up to 8 GB)
Drive Bay	1 x 2.5" SATAIII HDD or SSD drive space
Power Supply	DC In 9~36V
Operating System	Windows 10 IoT Enterprise LTSB 2016 64bit / Ubuntu16.04 LTS
Weight / Dimensions	SP-6555: 5.7kg / 364.3(W) x 278.8(H) x 78.2mm(D) SP-6557: 6.5kg / 394.8(W) x 327.2(H) x 76mm(D)
Certificate	FCC/CE

I/O Ports

Display	1 x HDMI (up to 4K), 1 x DVI-D
USB	3 x USB 3.0
Serial Ports	COM1/2 for RS-232/422/485 selectable under BIOS 5V/12V/RI selectable by jumper
Antenna Holes	4 x antenna holes
Drive Bay	1 x 2.5" SATAIII HDD or SSD drive space
Expansion Slots	1 x Full-sized Mini PCIe(mSATA or 3G/4G card with USB 2.0 signals) 1 x Full-sized Mini PCIe(PCIE or 3G/4G card with USB 2.0 signals) 1 x SD slot / 2 x SIM slots
LAN	2 x LANs with PoE (IEEE 802.3af) as option, Wake-On-LAN, PXE LAN 1: Intel® I210IT / LAN 2: Intel® I210IT
Audio	1 x Line Out / 1 x Mic In
Power On/Off	1 x power button, 1 x remote switch
LED	2 x PoE LED indicators
I ² C	1 x I ² C port

Display

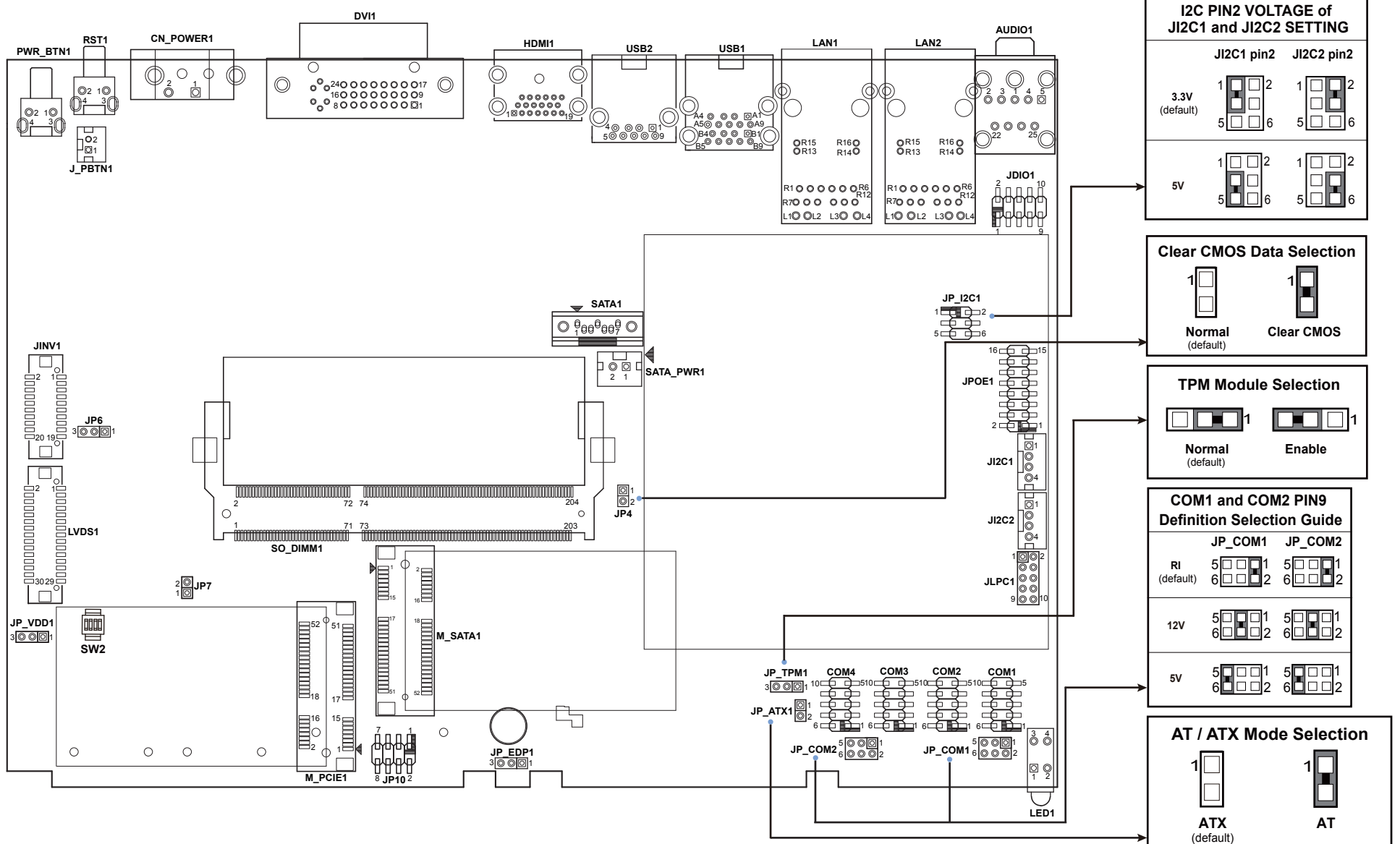
LCD	SP-6555: 15" TFT LCD(LED) Resolution XGA 1024 x 768 SP-6557: 17" TFT LCD(LED) Resolution SXGA 1280 x 1024
Touchscreen	5-wire resistive touchscreen or projected capacitive touchscreen (USB interface)

Environment

Operating Temp. (with airflow)	HDD: 0°C ~ 40°C / SSD: 0°C ~ 45°C Wide Temperature SSD: 0°C ~ 50°C SSD (without PoE and for N3350, N4200 only) 0°C ~ 45°C SSD (with PoE and for N3350, N4200 only) -20°C ~ 50°C SSD (without PoE and for E3950 only) -20°C ~ 45°C SSD (with PoE and for E3950 only)
Storage Temp.	-30°C ~ 60°C (-22°F ~ 140°F)
Humidity	20% ~ 90%

Jumper Setting

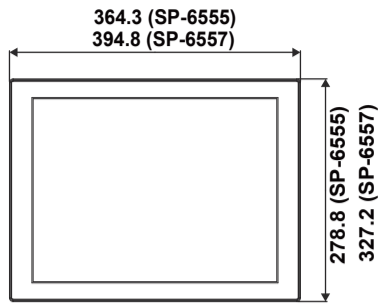
CAUTION! Danger of explosion may occur if the battery is replaced incorrectly. Replace batteries only with the same or equivalent type recommended by the manufacturer. Dispose the used batteries according to the manufacturer's instructions.



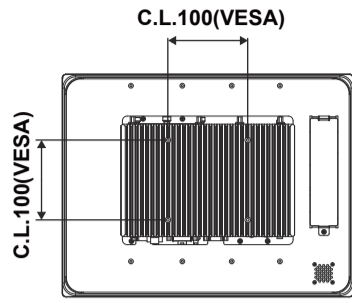
System Overview

(Unit: mm)

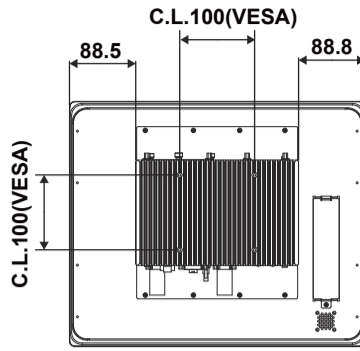
Front View



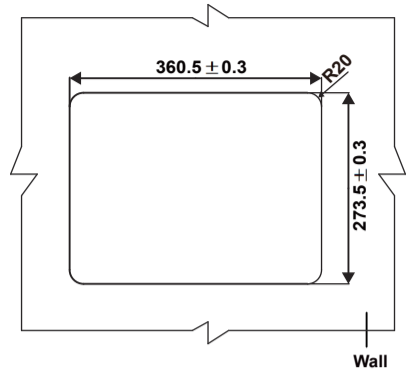
Rear View (SP-6555)



Rear View (SP-6557)

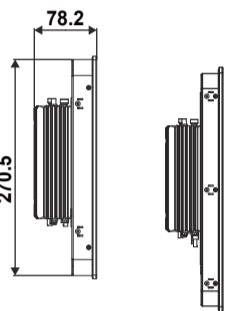


Wall Mount Cut-out Dimensions



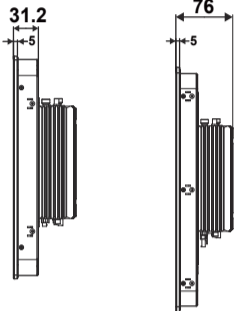
Left Side View

SP-6555 SP-6557

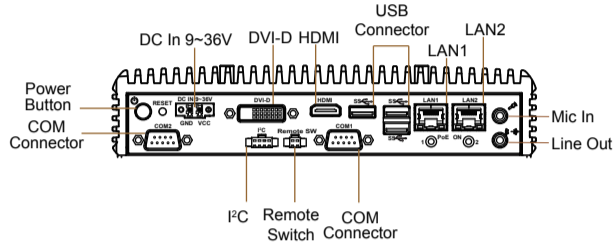


Right Side View

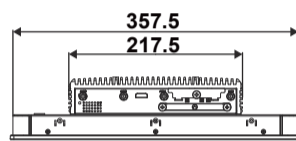
SP-6555 SP-6557



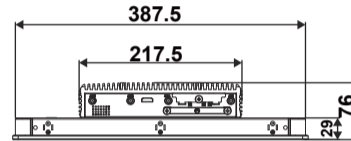
Rear I/O View



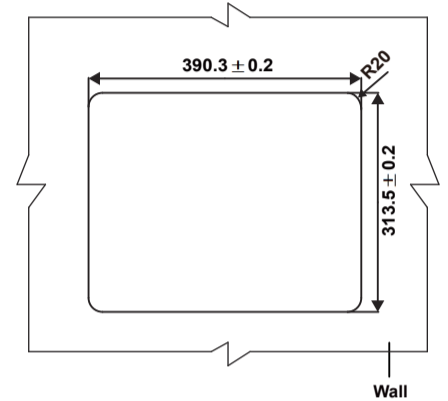
Top View



SP-6557

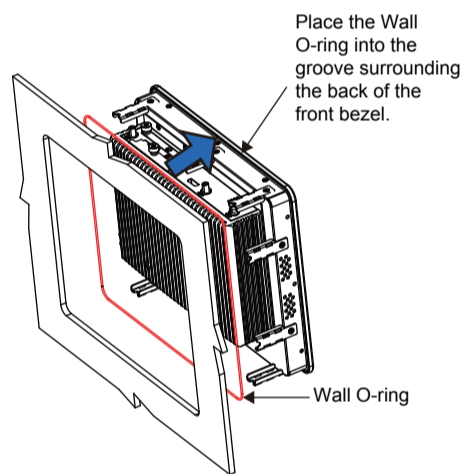


SP-6557

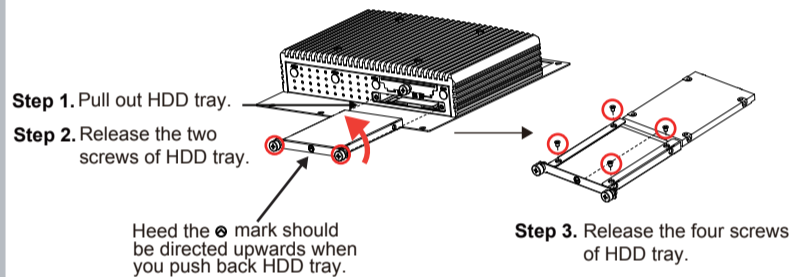


Quick Setup

Installing Wall Oring



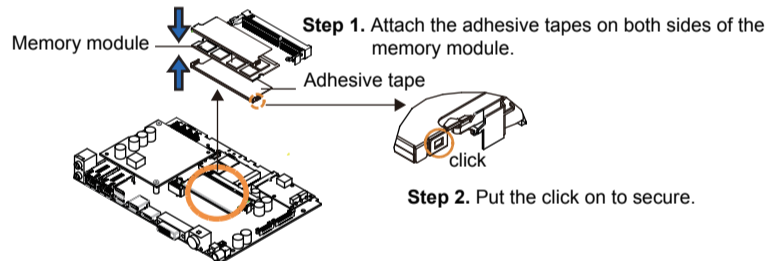
HDD Easy Maintenance



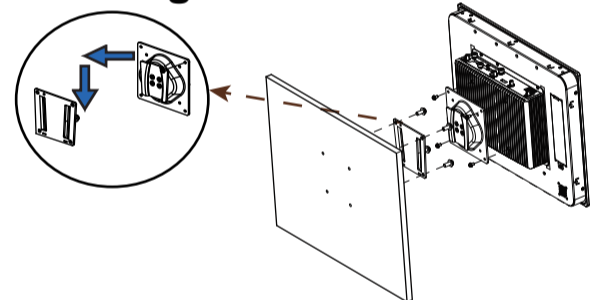
HDD & Memory & VESA Mount Accessories



Installing Memory Heatsink



Installing VESA Mount



Installing Hooks

SP-6555

Step 1. Install the mounting brackets into the mounting holes on the four sides of SP-6555 using 10 x M3x5mm screws.

SP-6555

Step 2. Mount SP-6555 Panel PC equipped with 10 brackets onto the wall firmly.

SP-6555

Step 3. Install 10 hooks onto the mounting brackets on the four sides of Panel PC and fasten the mating screws to secure firmly.

SP-6557

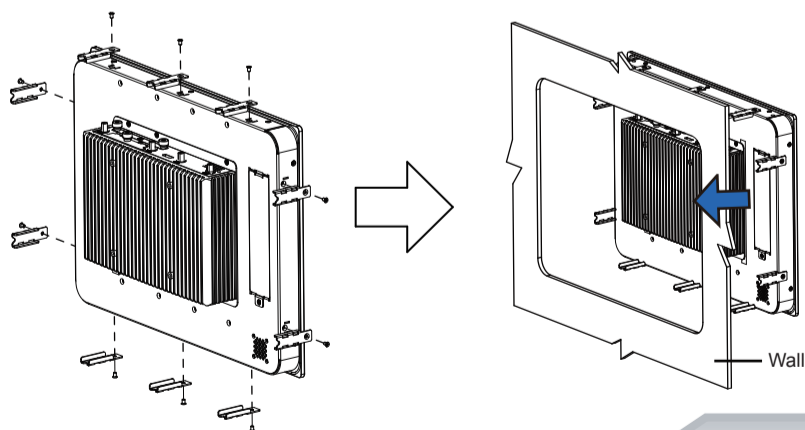
Step 1. Install the mounting brackets into the mounting holes on the four sides of SP-6557 using 12 x M3x5mm screws.

SP-6557

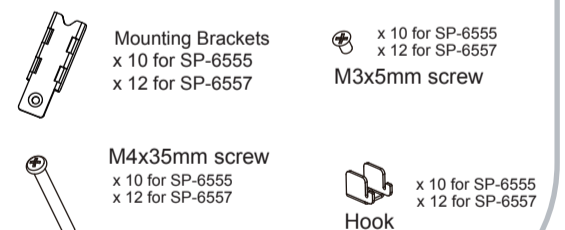
Step 2. Mount SP-6557 Panel PC equipped with 12 brackets onto the wall firmly.

SP-6557

Step 3. The operation is the same as above.



Hook Accessories (option)



1. Install the hook.
2. Tighten the screw.

Safety Precaution

The following messages are reminders for safety on how to protect your system from damages and to extend a long life of the system.

1. Check the Cable Voltage

- The range of operating voltage should be between DC 9V and 36V. Otherwise, the system could be damaged.

2. Environmental Conditions

- Place your SP-6555 / SP-6557 on a sturdy, level surface. Be sure to allow enough space to have easy access around the system.
- Avoid extremely hot or cold place to install the system.
- Avoid exposure to sunlight for a long period of time or in an airtight space.
- Avoid the system from any heating device or using SP-6555 / SP-6557 when it's been left outdoors in a cold winter day.
- Bear in mind that the operating ambient temperature is from 0°C ~ 40°C for HDD & 0°C ~ 45°C for SSD.
- Avoid moving the system rapidly from a hot place to a cold place and vice versa because condensation may come from inside of the system.
- Placing SP-6555 / SP-6557 in strong vibrations may cause hard disk failure.
- Don't place the system close to any radio-active device in case of signal interference.

3. Handling

- Avoid putting heavy objects on top of the system.
- Don't turn the system upside down. This may cause the hard drive to mal-function.
- If water or other liquid spills into this product, unplug the power cord immediately.

4. Good Care

- When the outside of the case is stained, remove the stain with a neutral washing agent with a dry cloth.
- Never use strong agents such as benzene and thinner to clean the system.
- If heavy stains are present, moisten a cloth with diluted neutral washing agent or with alcohol and then wipe thoroughly with a dry cloth.
- If dust has been accumulated on the outside, remove it by using a special made vacuum cleaner for computers.

CAUTION! Danger of explosion if battery is incorrectly replaced. Replace only with the same or equivalent type recommended by the manufacturer. Dispose of used batteries according to the manufacturer's instructions.

WARNING! Some internal parts of the system may have high electrical voltage. And therefore we strongly recommend that qualified engineers can open and disassemble the system. Please handle LCD and Touchscreen with extra care as they are easily breakable.