

SP-7256

› Intel® Pentium® N4200 / Celeron® N3350 / J3455 Slim and Fanless 15.6" Panel PC



Features



- Intel® Pentium® N4200 / Celeron® N3350 / J3455 processor
- Slim and fanless design
- Aluminum die casting back cover
- 15.6" wide display and true flat touchscreen
- HDD easy maintenance design
- Wall mountable VESA 75 x 75 / 100 x 100 standard
- Optional MSR

Specifications



System

CPU Type	Intel® Pentium® N4200 processor Intel® Celeron® N3350 processor Intel® Celeron® 3455 processor
Chipset	Intel® SoC
Memory Support	1 x DDR3L 1600/1867MHz SO-DIMM socket (up to 8G) (non-ECC)
Front Bezel	Plastic
Power Input	DC In 12V/16~24V
Power Adapter	24V, 60W
Watchdog	1~255 seconds watchdog timer selectable
Operating System	Windows 10 IoT LTSB 2016 / Ubuntu 16.04
Dimensions	391 x 250 x 48 mm (W x H x D)
System Weight	3.2 kg
Mounting Support	Wall mount / VESA 75 / VESA 100 / Panel mount
Certifications	FCC / CE

Display

LCD	15.6" TFT LCD (LED) resolution WXGA 1366 x 768
Touchscreen	Projected capacitive touchscreen (USB interface)

Applications

- Automation
- Retail
- Information

I/O Ports

Power Input	4 pin DC power jack, supporting 12V/24V DC In
Power On/Off	1 x power on/off button on side bezel
USB	1 x USB 2.0 on side bezel 4 x USB 3.0
Audio	1 x Line Out / 1 x Mic In
Serial Port	1 x COM port COM 1 for RS232
DIO	4 in / 4 out
LAN	2 x GbE LANs supports Wake-On-LAN LAN 1: Intel® I210IT LAN 2: Intel® I210IT
Display	1 x HDMI
Storage	1 x 2.5" SATA III HDD
Expansion Slot	1 x full-sized Mini PCIe slot (Mini PCIe and USB signal)

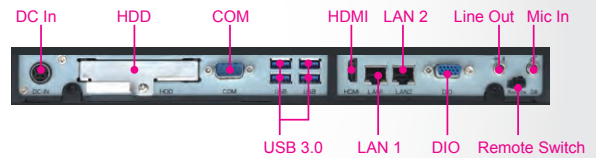
Environment

Operating Temp.	0°C~40°C (32°F~104°F) (Ambient with airflow)
Storage Temp.	-20°C~80°C (-4°F~176°F)
Humidity	20%~90%

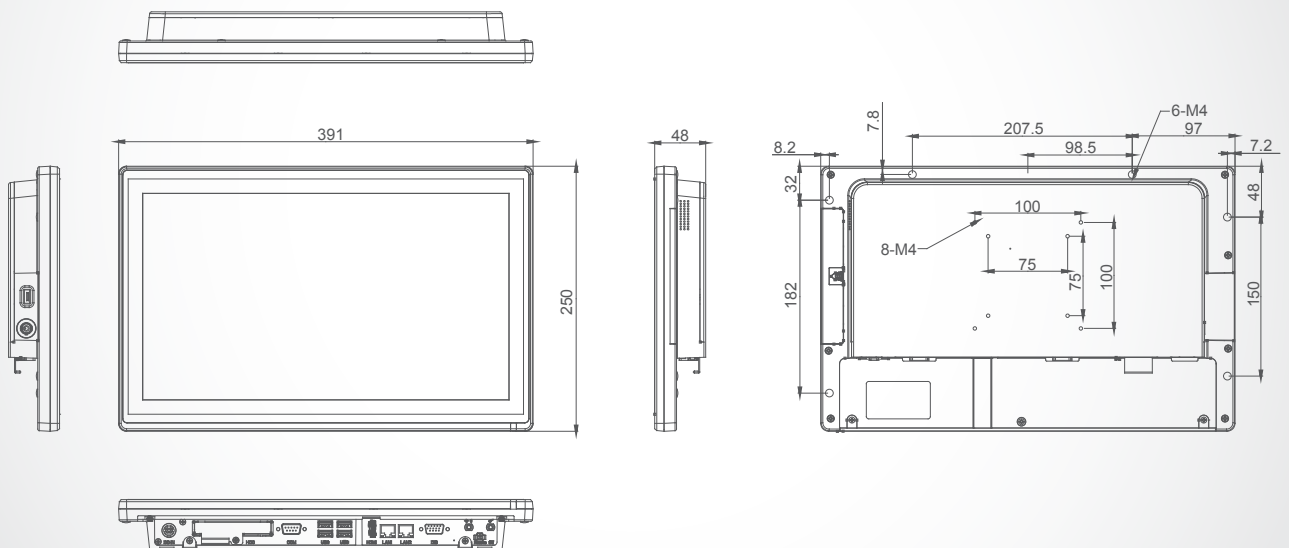
Highlights



I/O Panel View



Dimensions



unit: mm