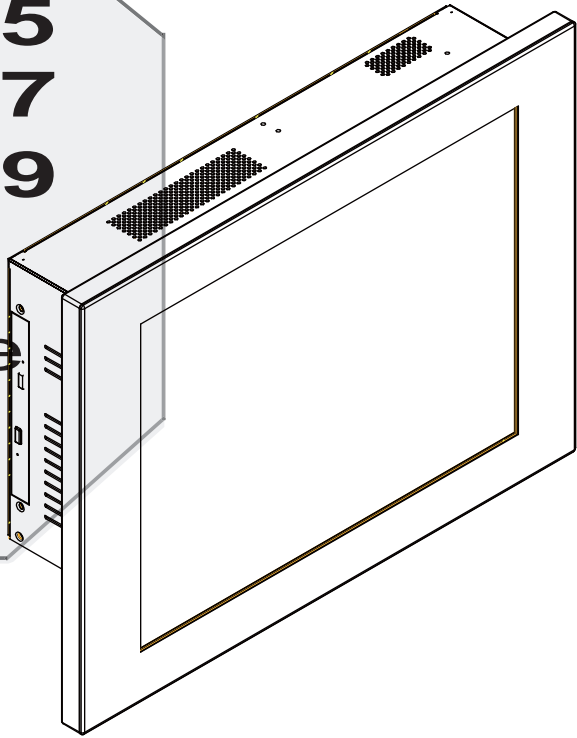




# PPC-7615 PPC-7617 PPC-7619

## Quick Reference Guide



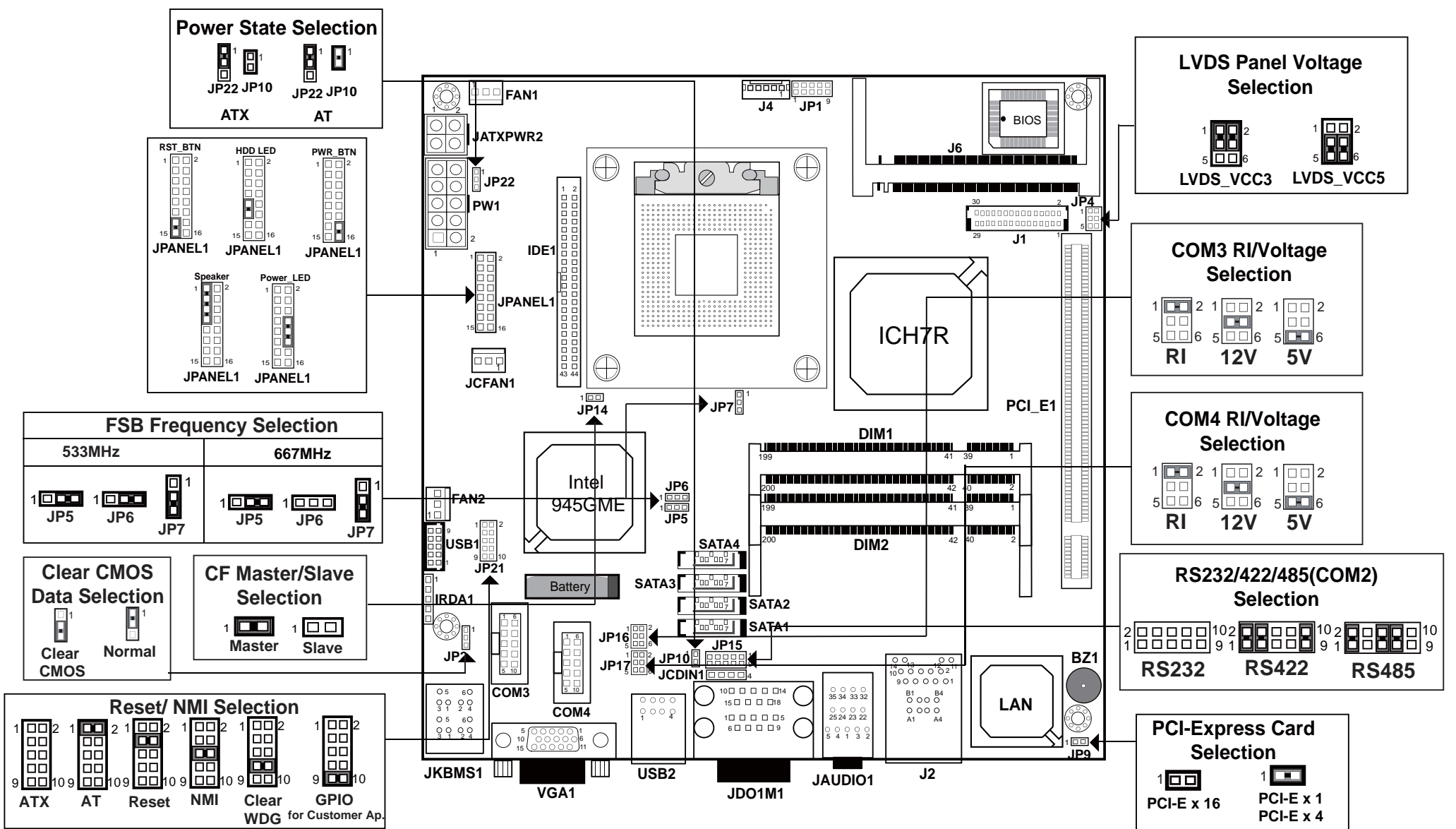
Manual ver Q1

All Right Reserved Copyright 2009

## Specification

|                       |  |
|-----------------------|--|
| <b>System</b>         |  |
| CPU Type              | Intel® Core 2 Duo/ Core Solo/ Celeron® M Socket 478 onboard for 65nm CPU (up to 2.16GHz)   |
| Chipset               | Intel® 945GME + ICH7R (FSB: 533/667MHz)  |
| Memory Support        | 2 x 200pin DDRII SO-DIMM, Support DDR II 667 SDRAM up to 4GB   |
| Front Bezel           | Stainless Steel  |
| IP65/NEMA4            | Yes  |
| Power Supply          | ATX 180W power supply  |
| Dimension (WxHxD)     | PPC-7615: 403 x 303 x 84 mm (15.87" x 11.93" x 3.31")<br>PPC-7617: 452 x 366 x 89 mm (17.8" x 14.4" x 3.5")<br>PPC-7619: 497 x 420 x 91.5 mm (19.65" x 16.5" x 3.6") |
| System Weight         | PPC-7615: 7.3 kg PPC-7617: 9.5 kg PPC-7619: 11.5 kg  |
| VESA Mounting Support | 75/100 mm VESA bracket (optional)  |
| Certificate           | CE/FCC   |
| <b>I/O Ports</b>      |  |
| USB                   | 4 x USB2.0   |
| KB/Mouse              | 2 x PS/2 port (K/B & Mouse for Y-cable)  |
| Audio                 | Line-in/ Line-out/ Mic-in  |
| Serial Port           | 4 x COM port (COM1/3/4 for RS232, COM2 for RS232/422/485, COM3/4 support +5V, +12V selectable)   |
| LAN                   | 1 x 10/100/1000 Mbps   |
| VGA                   | 1 x VGA  |
| Drive Bay             | 2 x 2.5" SATA HDD, 1 x IDE CF slot on board, 1 x slim CD-ROM (optional)  |
| <b>Display</b>        |  |
| LCD                   | PPC-7615: 15" LCD Panel XGA 1024 x 768<br>PPC-7617: 17" LCD Panel SXGA 1280 x 1024<br>PPC-7619: 19" LCD Panel SXGA 1280 x 1024                                       |
| Touch Screen          | 5W Analog resistive (USB interface)  |
| <b>Environment</b>    |  |
| Temperature           | Operation Temperature 0~40 °C(32~104 °F),<br>Storage Temperature -20~60 °C(-4~140 °F)  |
| Humidity              | Operation Humidity 20~90%  |

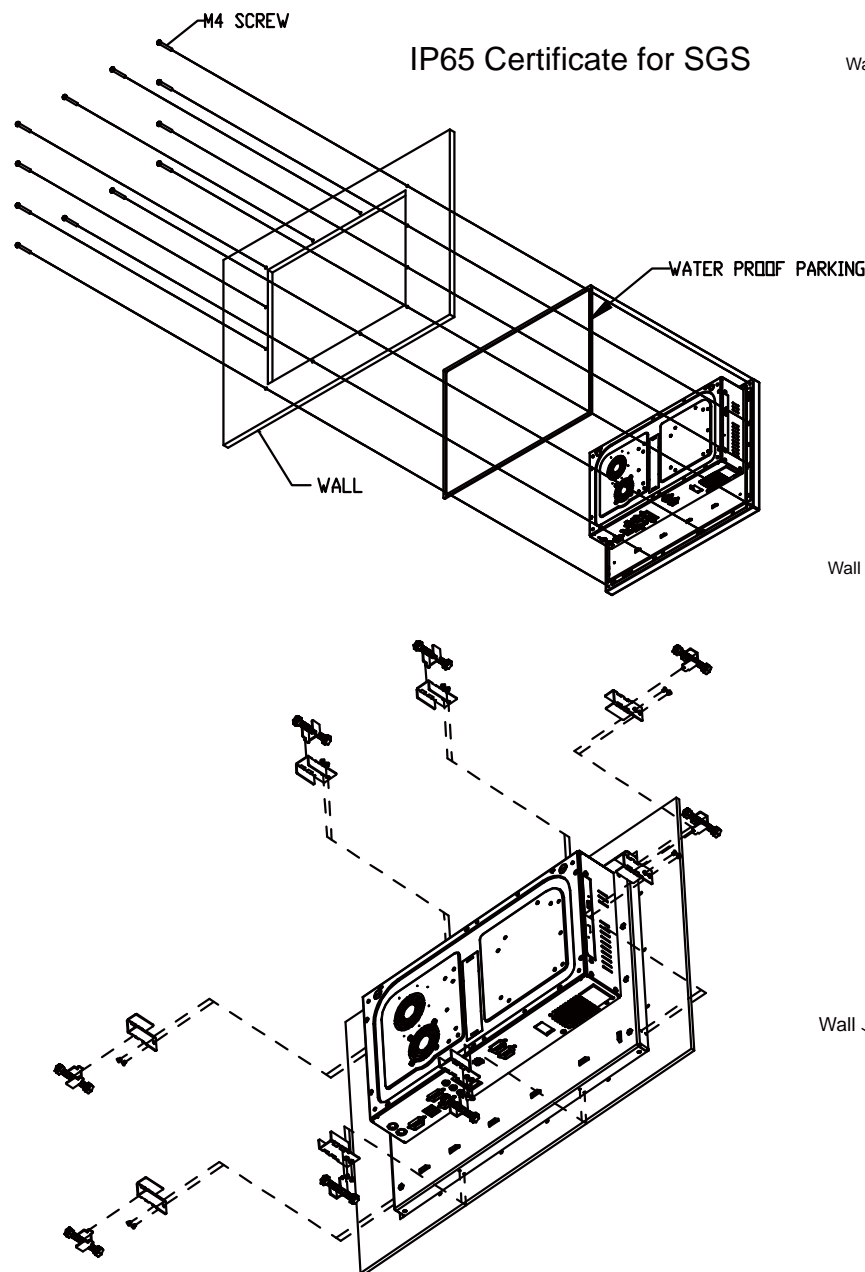
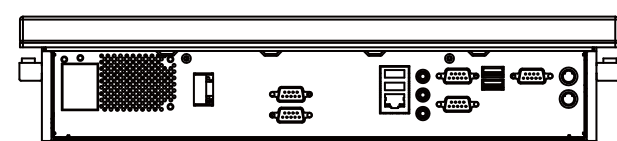
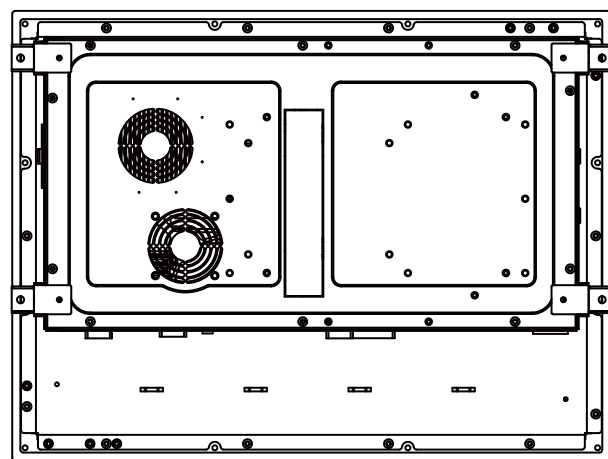
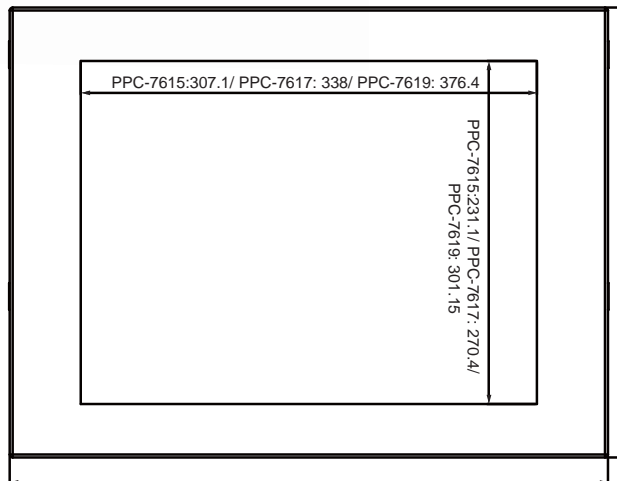
## Jumper Setting



# PPC-7615/PPC-7617/PPC-7619

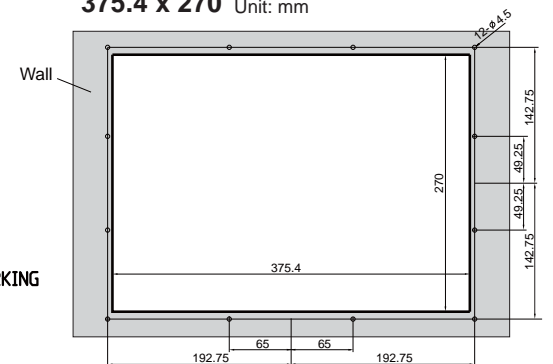
## High Performance 15"/ 17"/ 19" Panel PC

### System View

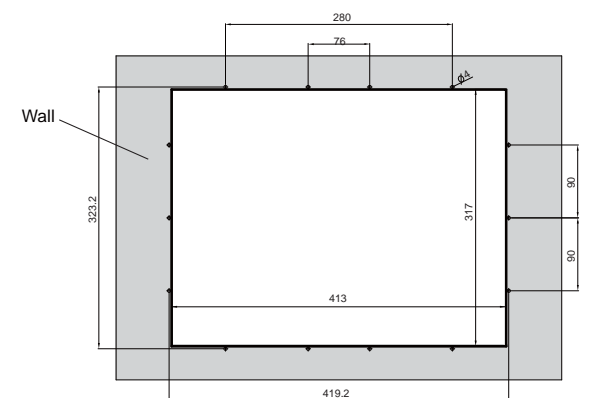


### Wall Mount

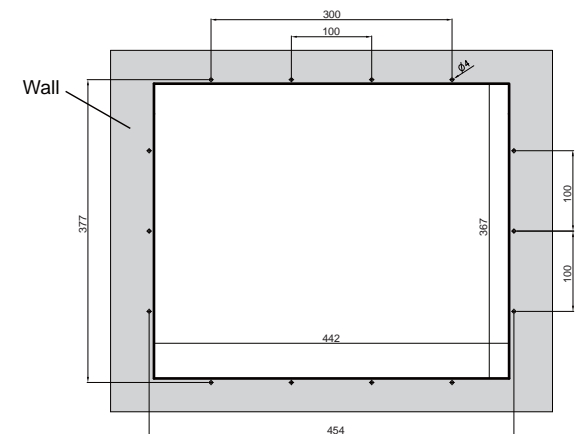
**PPC-7615 Cut-Out Dimension:**  
375.4 x 270 Unit: mm



**PPC-7617 Cut-Out Dimension:**  
413 x 317 Unit: mm



**PPC-7619 Cut-Out Dimension:**  
442 x 367 Unit: mm



### Safety & Notification

The following messages are reminders for safety on how to protect your systems from damages and to extend a long life of the system.

1. Check the Cable Voltage
  - \* Make sure the range of operating voltage that is between AC 100V and AC 240V. Otherwise, the system could be damaged.
2. Environmental Conditions
  - \* Place your PPC-7615/PPC-7617/PPC-7619 on a sturdy, level surface. Be sure to allow enough space to have easy access around the system.
  - \* Avoid extremely hot or cold place to install the system.
  - \* Avoid exposure to sunlight for a long period of time or in a airtight space. Also, avoid the system from any heating device or use PPC-7615/PPC-7617/PPC-7619 when it's been left outdoors in a cold winter day.
  - \* Bear in mind that the operating ambient temperature is from 0 °C up to +40 °C .
  - \* Avoid moving the system rapidly from a hot place to a cold place and vice versa. Because condensation may come from inside of the system.
  - \* Place PPC-7615/PPC-7617/PPC-7619 in strong vibrations may cause hard disk failure.
  - \* Do not place the system too close to any radio active device. Radio-active device may cause signal interference.
3. Handling
  - \* Avoid putting heavy objects on top of the system.
  - \* Do not turn the system upside down. This may cause the floppy drive and hard drive to mal-function.
  - \* Do not remove the diskette from the floppy drive while the light is still on. The floppy drive can be damaged if you do so.
  - \* If wate or other liquid spills into this product, unplug the power cord immediately.
4. Good Care
  - \* When the outside of the case is stained, remove the stain with neutral washing agent with a dry cloth.
  - \* Never use strong agents such as benzene and thinner to clean the system.
  - \* If heavy stains are present, moisten a cloth with diluted neutral washing agent or with alcohol and then wipe thoroughly with a dry cloth.