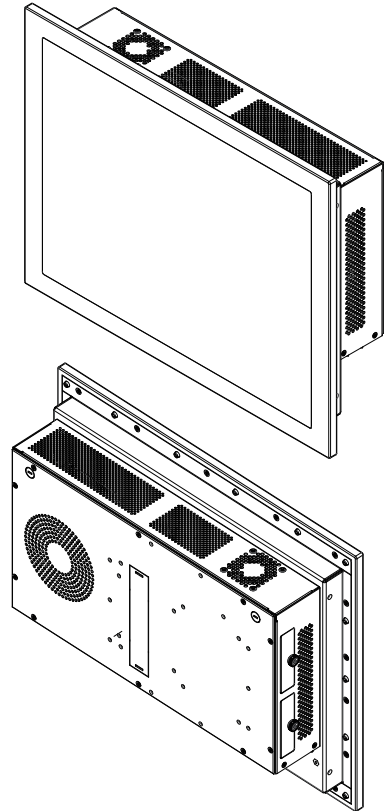


SP-S154

Quick Reference Guide



Ver. Q3

All Rights Reserved. Copyright 2021

Specification

System

CPU Support	Core™ i7-7700T, Quad Core, 2.9GHz, 8M cache Core™ i5-7500T, Quad Core, 2.7GHz, 6M cache Core™ i3-7101TE, Dual Core, 3.4GHz, 3M cache Celeron® G3930TE, Dual Core, 2.7GHz, 2M cache
Chipset	Intel® Q170/H110
Memory Support	2 x DDR4 2133MHz SO-DIMM sockets (up to 32GB)
Storage	2 x 2.5" SATA III HDD/SSD (support RAID 0/1 in Q170 SKU only)
Power Input	AC input ATX 250W
Operating System	Windows 10 IoT Enterprise (64bit)
Dimensions (W x H x D)	408 x 320 x 97.55mm
System Weight	8.1 kg
Mounting Support	Wall mount / VESA 75,100 / Panel mount
Certifications	FCC / CE

I/O Ports

Display	2 x DVI-D
USB	4 x USB 3.0 & 4 x USB 2.0
Audio	1 x Line In / 1 x Line Out / 1 x Mic In
LAN	2 x RJ45 ports LAN1: Intel® PHYI219LM (10/100/1000 Mbps) LAN2: Intel® LAN 210AT (10/100/1000 Mbps) Support Wake-On-LAN, PXE
Serial Ports	4 COM ports / COM1 for RS-232/422/485 COM2/COM3/COM4 for RS-232 COM1/COM2/COM4 support +5V / +12V / RI selectable
Expansion Slots	1 x PCIe (x16) / 1x half-sized Mini PCIe
Antenna Hole	2 x antenna holes
Power On/Off	1 x power button switch 1 x 2-pin connector for remote power button
Parallel Port	1 x Parallel Port (SPP/EPP/ECP)

Display

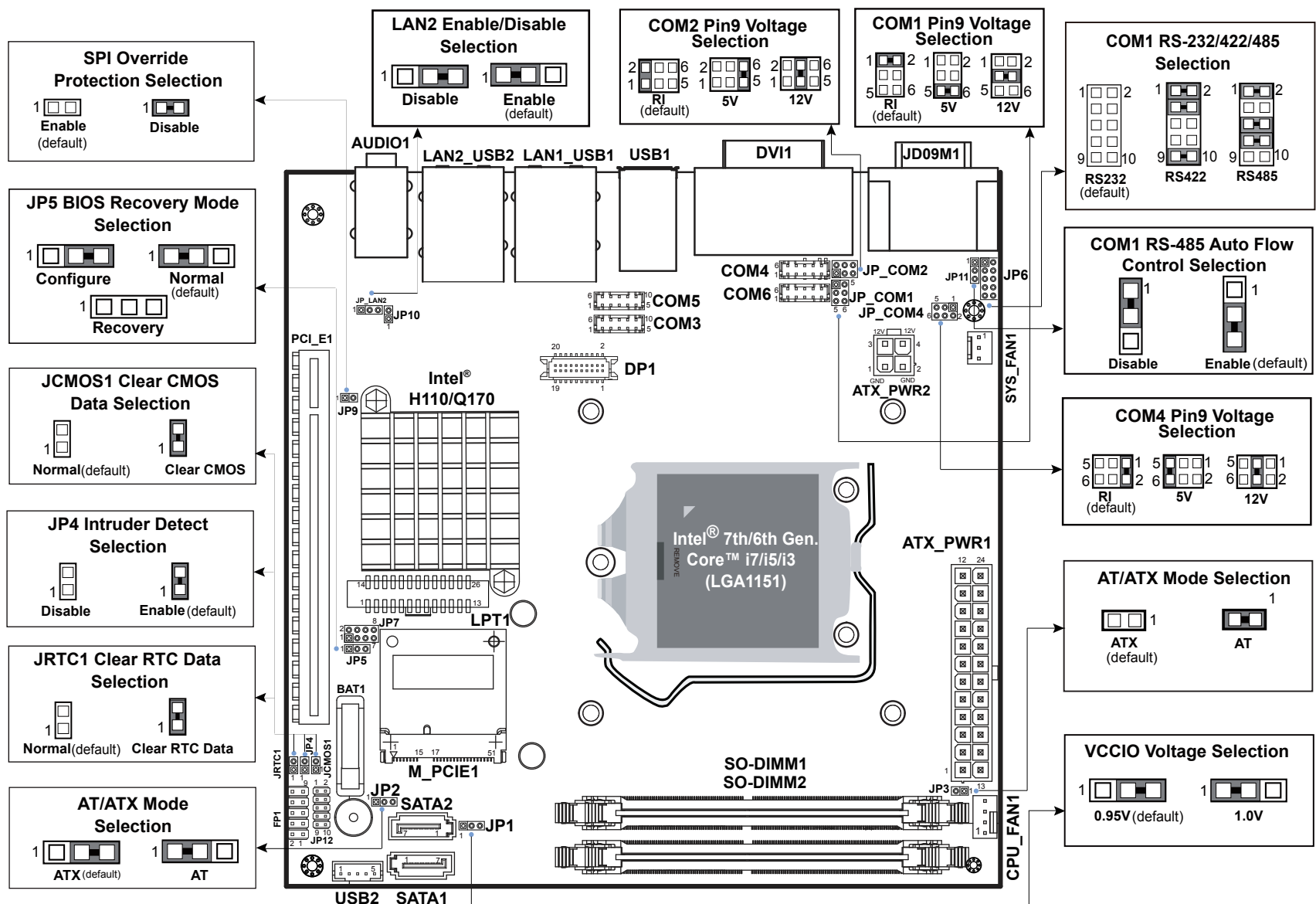
LCD	15" TFT LCD(LED) resolution XGA (4:3) 1024x768
Touchscreen	15" P-CAP touch panel / 15" resistive touch panel

Environment

Operating Temp.	HDD: 0°C~45°C (32°F~113°F) / SSD: 0°C~50°C (32°F~122°F)
Storage Temp.	-20°C~80°C (-4°F~176°F)
Humidity	20%~90% RH (no condensation)

Jumper Setting

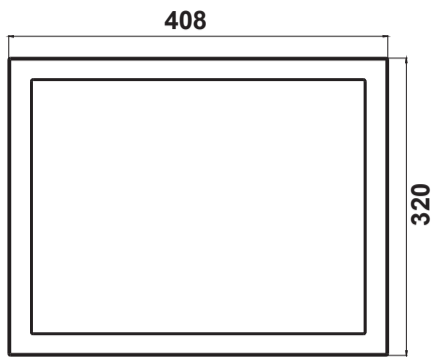
CAUTION! Danger of explosion may occur if the battery is replaced incorrectly. Replace batteries only with the same or equivalent type recommended by the manufacturer. Dispose the used batteries according to the manufacturer's instructions.



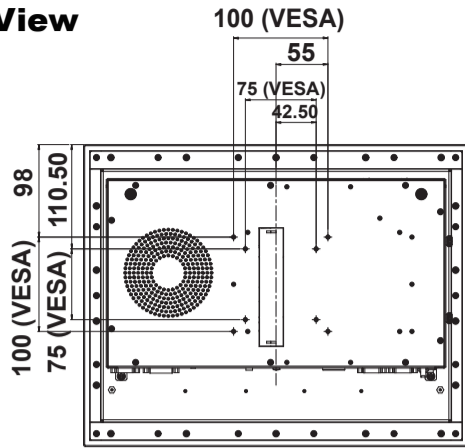
System Overview

(Unit: mm)

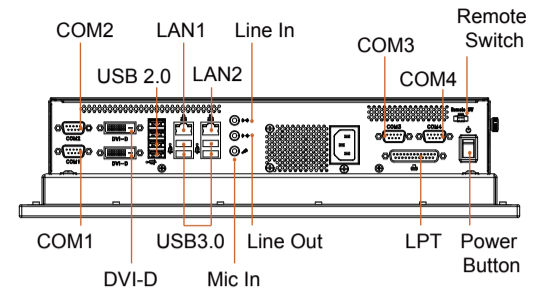
Front View



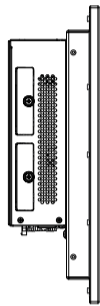
Rear View



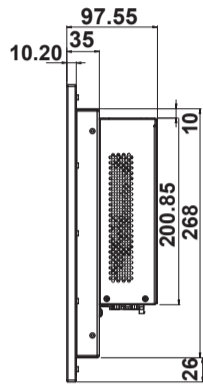
Rear I/O View



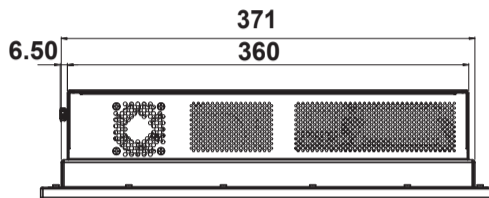
Left Side View



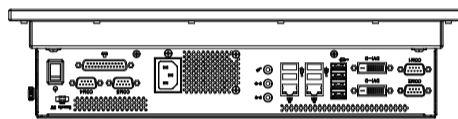
Right Side View



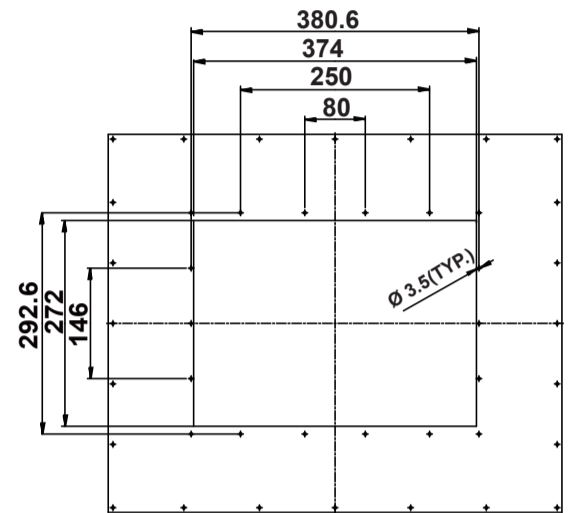
Top View



Bottom View

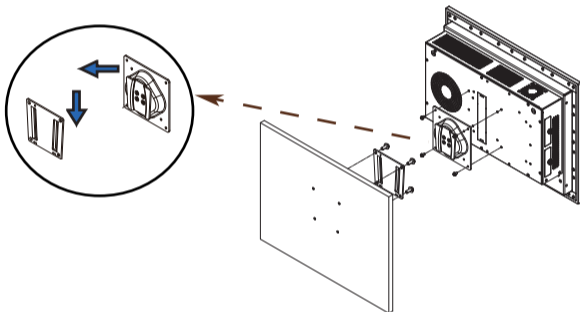


Wall Mount Cut-out Dimensions



Quick Setup

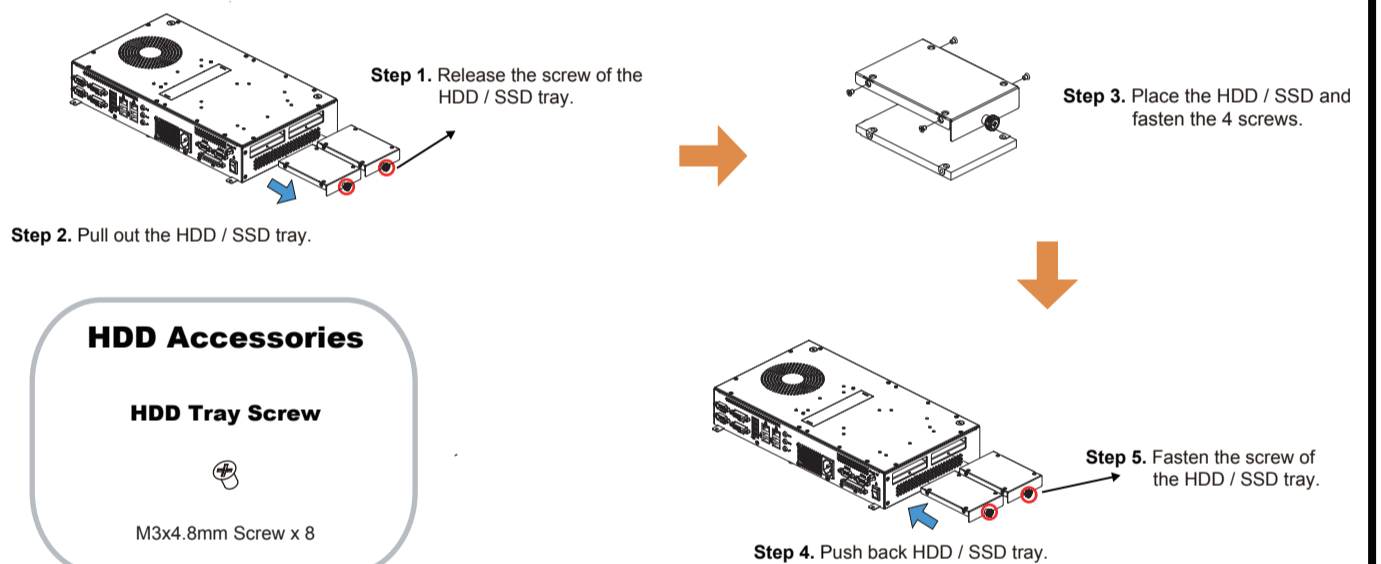
Installing VESA Mount (optional)



VESA Mount Accessories (optional)

- VESA Mount (optional) x 1
- VESA Mount Screw x 4
- M6x15mm screw (Round Head with spring washer screw) x 4
- M4x10mm screw x 4

HDD Easy Maintenance



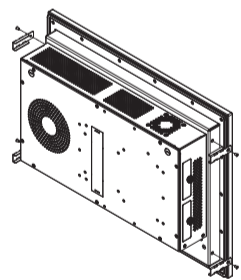
HDD Accessories

HDD Tray Screw

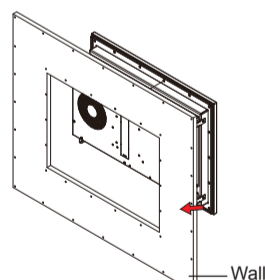
- M3x4.8mm Screw x 8

Installing Hooks (optional)

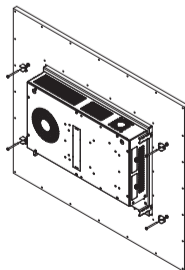
Step 1. Install the mounting brackets into the mounting holes on the two sides of SP-S154 using 4 x screws (M3x5mm).



Step 2. Mount SP-S154 Panel PC equipped with 4 brackets onto the wall firmly.



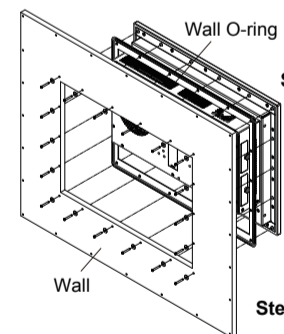
Step 3. Install 4 hooks onto the mounting brackets on the two sides of Panel PC and fasten the mating screws to secure firmly.



Hook Accessories (optional)

- Mounting Bracket x 4
- M3x5mm screw x 4
- M4 Nut x 4
- M4x35mm screw x 4
- Hook x 4

Installing Wall Oring (optional)



Step 1. Place the Wall O-ring into the back of the front bezel.

Step 2. Fasten the 18 screws.

Wall Oring Accessories (optional)

- M3x 28mm screw x 18
- Washer x 18

Safety Precaution

The following messages are reminders for safety on how to protect your panel PC from damages and extend the life cycle of SP-S154.

1. Check the Cable Voltage

- The range of operating voltage should be AC input ATX 250W. Otherwise, the panel PC could be damaged.

2. Environmental Conditions

- Place your SP-S154 on a sturdy, level surface. Be sure to allow enough space to have easy access around the device.
- Avoid extremely hot or cold place to install SP-S154.
- Avoid exposure to sunlight for a long period of time or in an airtight space.
- Avoid the device from any heating device or using SP-S154 when it's been left outdoors in a cold winter day.
- Avoid moving SP-S154 rapidly from a hot place to a cold place and vice versa because condensation may come from inside of the device.
- Don't place SP-S154 close to any radio-active device in case of signal interference.

3. Handling

- Avoid putting heavy objects on top of the device.
- If water or other liquid spills into this product, unplug the power cord immediately.

4. Good Care

- When the outside of the case is stained, remove the stain with a neutral washing agent with a dry cloth.
- Never use strong agents such as benzene and thinner to clean the device.
- If heavy stains are present, moisten a cloth with diluted neutral washing agent or with alcohol and then wipe thoroughly with a dry cloth.
- If dust has been accumulated on the outside, remove it by using a special vacuum cleaner for computers.
- The power cord with the plug shall be connected to a socket-outlet with earthing connections.

CAUTION! Danger of explosion if battery is incorrectly replaced. Replace only with the same or equivalent type recommended by the manufacturer. Dispose of used batteries according to the manufacturer's instructions.

WARNING! Some internal parts of SP-S154 may have high electrical voltage. And therefore we strongly recommend that qualified engineers can open and disassemble the device. Please handle LCD and Touchscreen with extra care as they are easily breakable.